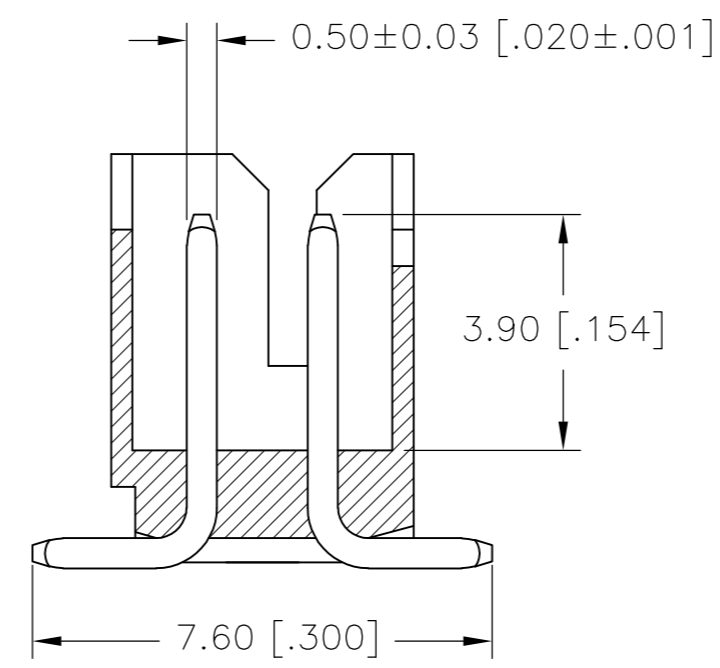
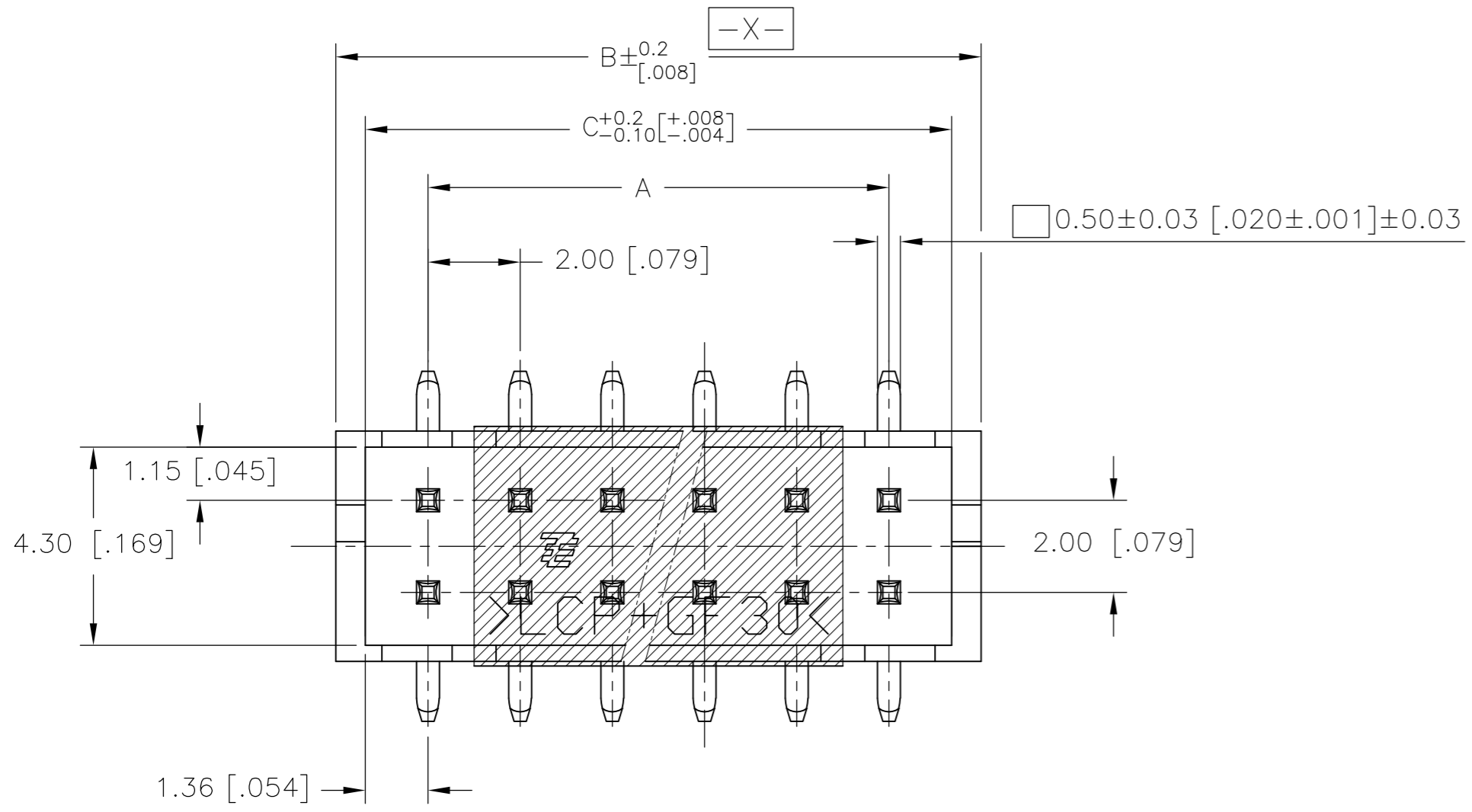
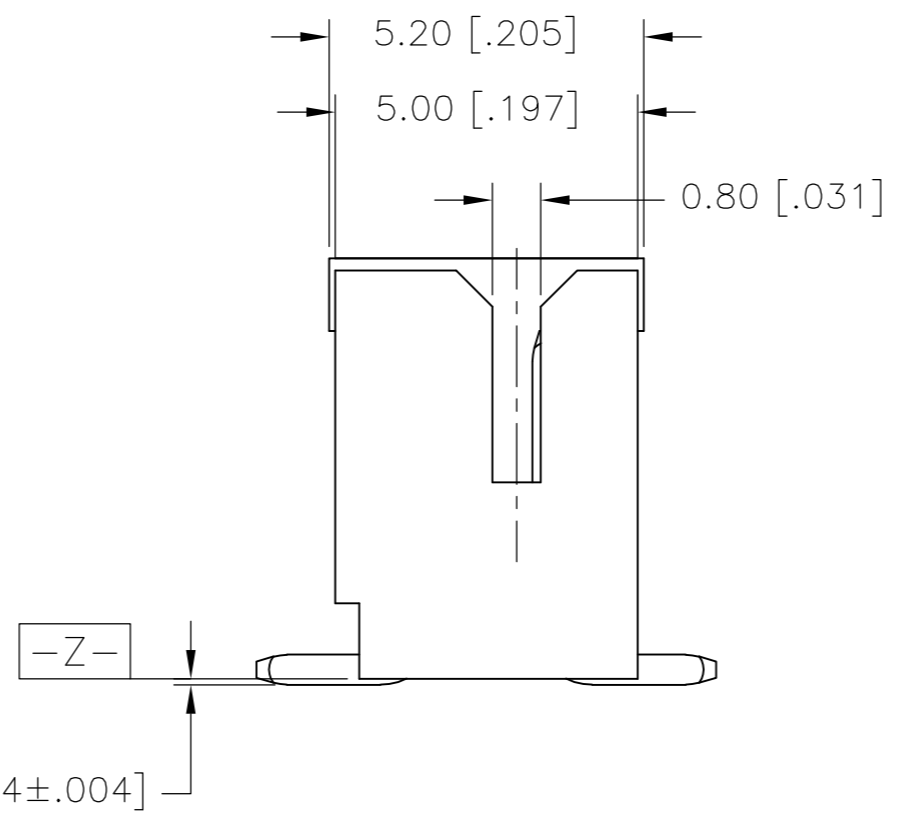
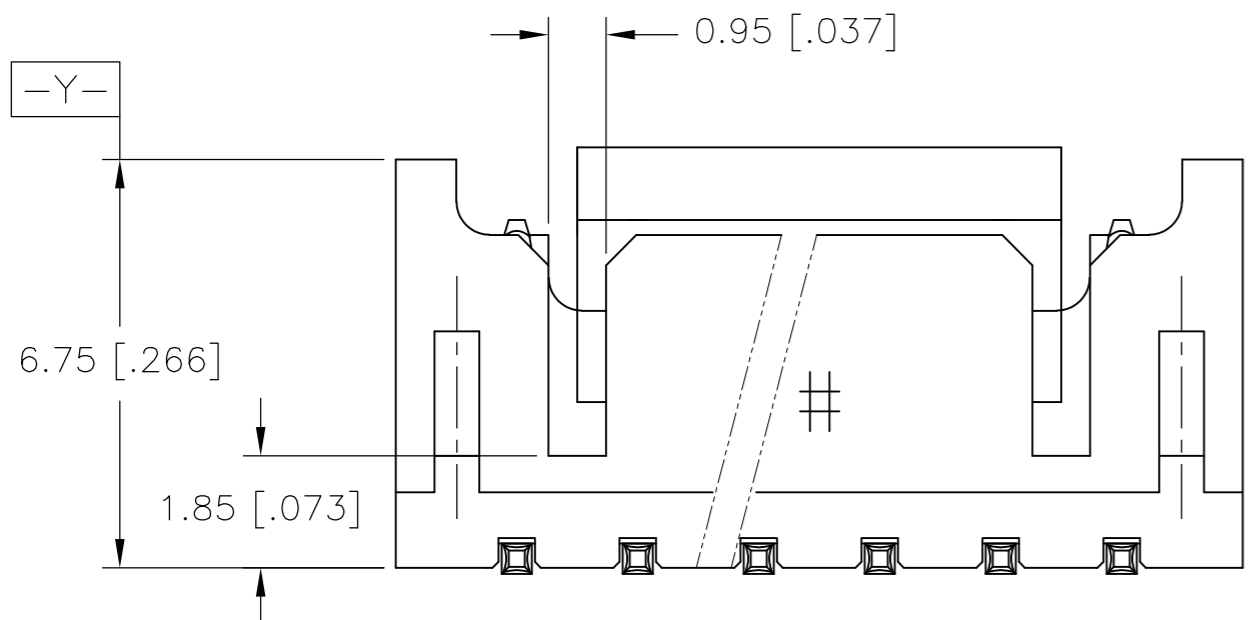
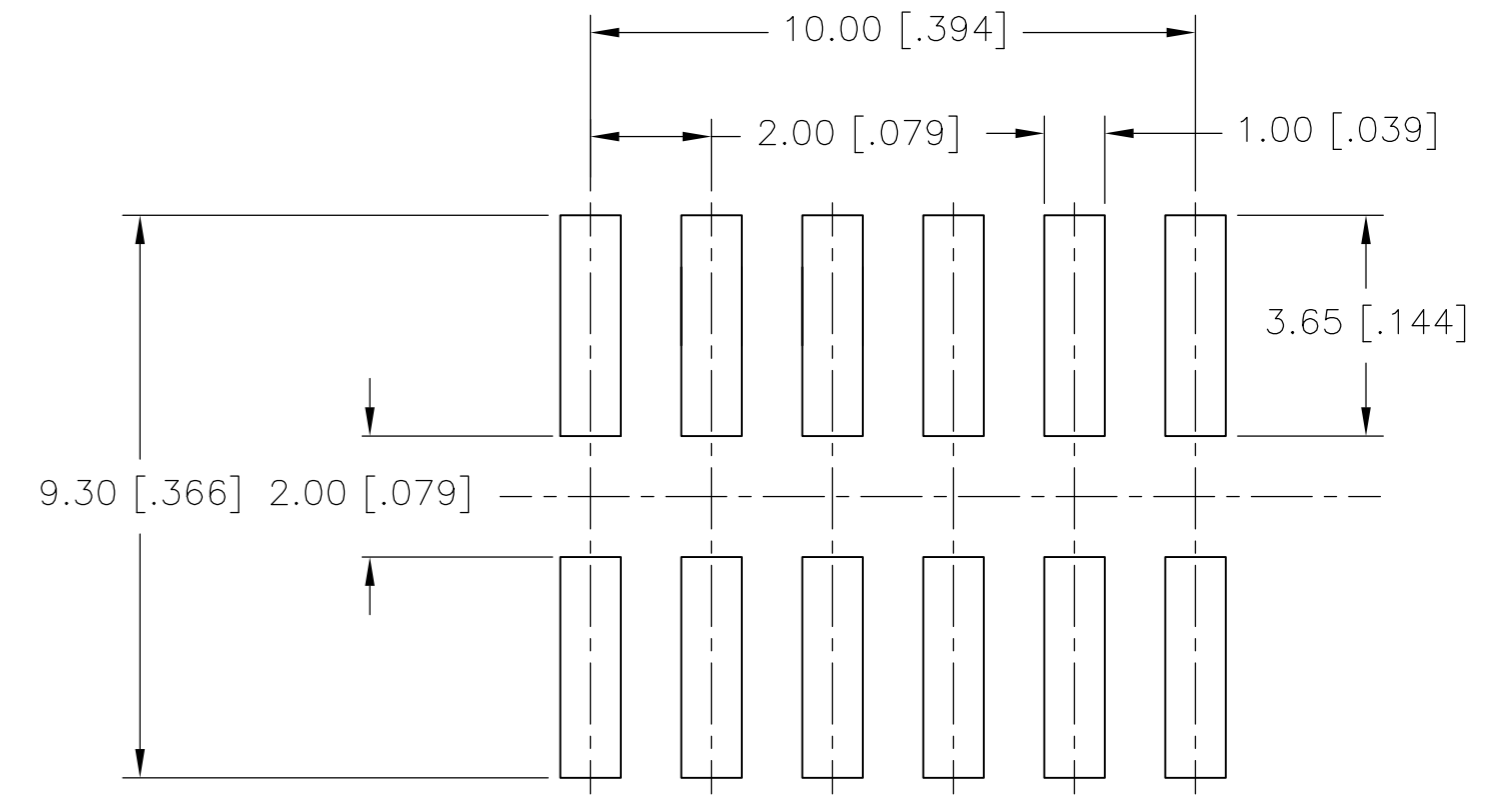


THIS DRAWING IS UNPUBLISHED. RELEASED FOR PUBLICATION
 © COPYRIGHT - By - ALL RIGHTS RESERVED.

REVISONS		DATE	DWN	APVD
LOC	DIST	DESCRIPTION		
-	-	REVISED PER ECO-14-008820	NK	JO



- MATERIAL:
HOUSING & CAP: LCP MATERIAL, UL94 V0
CONTACT :BRASS
- FINISH:
100u" BRIGHT-TIN PLATING; 30 u" NICKEL UNDER PLATING.
- TAPE & REEL PACKAGE.



**PRELIMINARY - NOT RELEASED
FOR PRODUCTION**

32.74[1.289]	34.0[1.339]	30.0±0.2[1.181±.008]	32	3-1977972-2
30.74[1.210]	32.0[1.260]	28.0±0.2[1.102±.008]	30	3-1977972-0
28.74[1.131]	30.0[1.181]	26.0±0.2[1.024±.008]	28	2-1977972-8
26.74[1.053]	28.0[1.102]	24.0±0.2[.945±.008]	26	2-1977972-6
24.74[.974]	26.0[1.024]	22.0±0.2[.866±.008]	24	2-1977972-4
22.74[.895]	24.0[.945]	20.0±0.2[.787±.008]	22	2-1977972-2
20.74[.816]	22.0[.866]	18.0±0.15[.709±.006]	20	2-1977972-0
18.74[.738]	20.0[.787]	16.0±0.15[.623±.006]	18	1-1977972-8
16.74[.659]	18.0[.709]	14.0±0.15[.551±.006]	16	1-1977972-6
14.74[.580]	16.0[.623]	12.0±0.15[.427±.006]	14	1-1977972-4
12.74[.501]	14.0[.551]	10.0±0.1[.394±.004]	12	1-1977972-2
10.74[.423]	12.0[.427]	8.0±0.1[.315±.004]	10	1-1977972-0
8.74[.344]	10.0[.394]	6.0±0.1[.234±.004]	8	1977972-8
6.74[.265]	8.0[.315]	4.0±0.1[.157±.004]	6	1977972-6
DIM.C	DIM.B	DIM.A	POS	PART NO.

THIS DRAWING IS A CONTROLLED DOCUMENT.

DWN KIRAN HOLAL 26FEB2013	TE Connectivity
CHK JOSEPH OLSON 26FEB2013	
APVD JOSEPH OLSON 26FEB2013	
PRODUCT SPEC	
APPLICATION SPEC	NAME 2.0 MM PITCH HEADER, DIP, VERTICAL SMT
WEIGHT	SIZE A2
CUSTOMER DRAWING	CAGE CODE 00779
	DRAWING NO C=1977972
	RESTRICTED TO
	SCALE 8:1
	SHEET 1 of 1
	REV 3