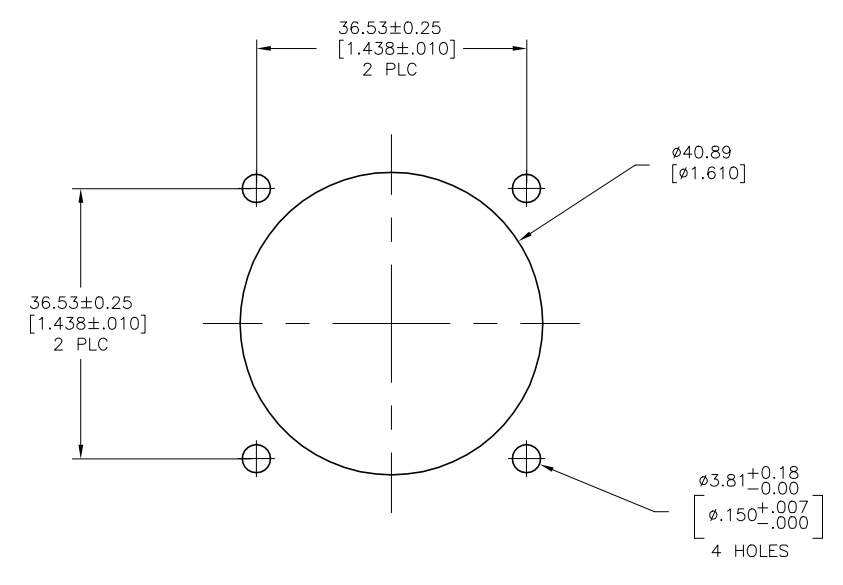
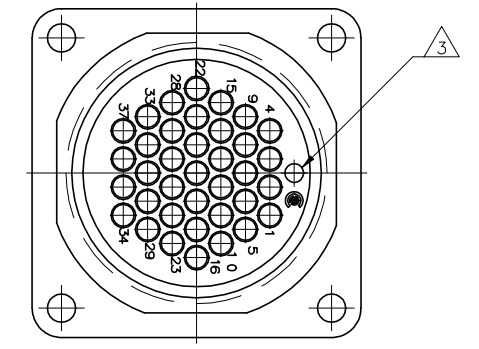
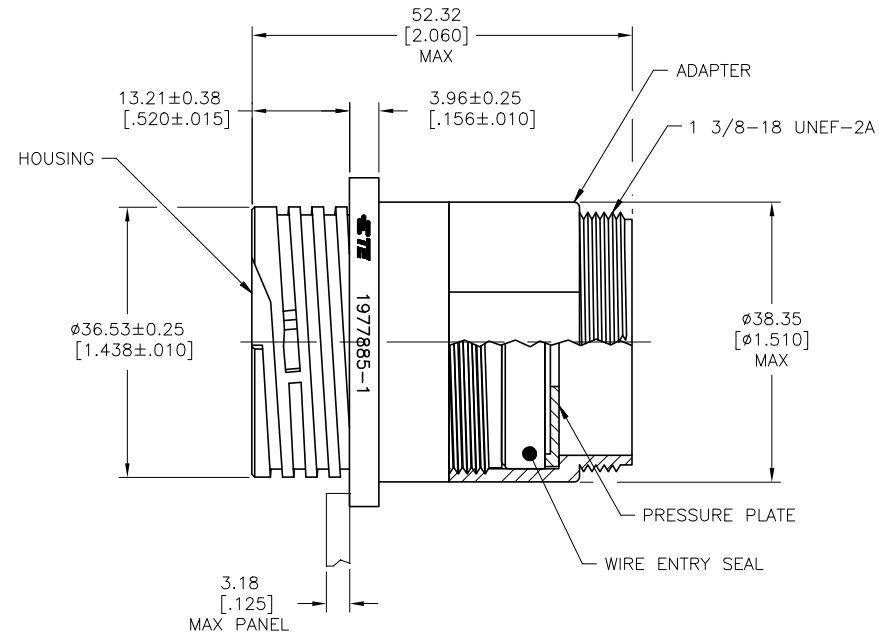
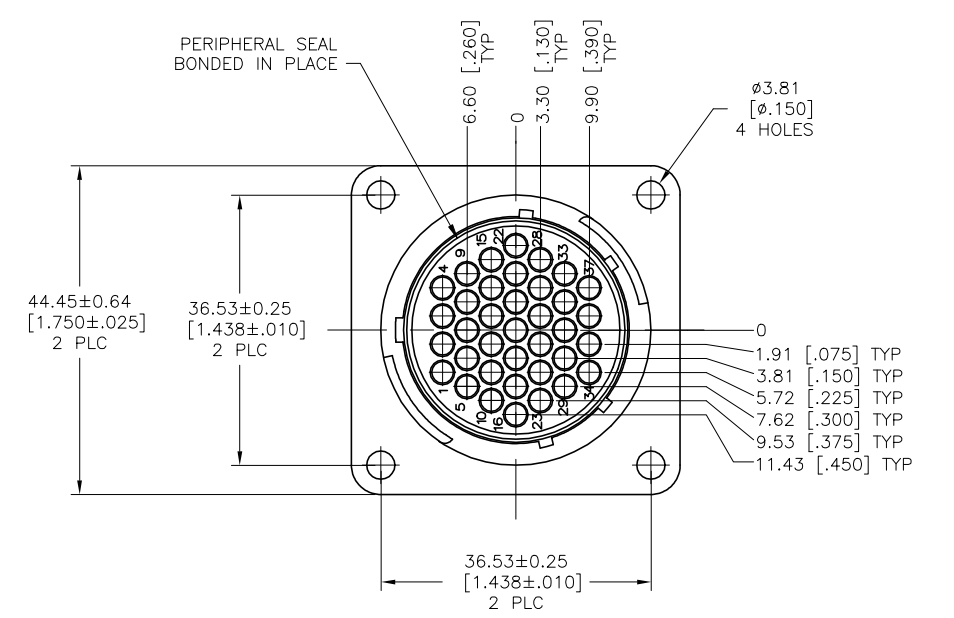


THIS DRAWING IS UNPUBLISHED. RELEASED FOR PUBLICATION  
 © COPYRIGHT - By - ALL RIGHTS RESERVED.

REVISIONS				
REV	DATE	BY	CHK	APPD
A	08NOV12	KH	MZ	
B	06AUG2019	RS	MZ	

- 1 ADAPTER AND HOUSING: NYLON, BLACK.  
 WIRE ENTRY SEAL: ELASTOMER, RED-IRON OXIDE.  
 PERIPHERAL SEAL: ELASTOMER, BLACK.
- 2 CONNECTOR WILL ACCEPT (37) MULTIMATE PIN CONTACTS.
- 3 ORIENTATION HOLE USED IN THE MANUFACTURING PROCESS ONLY.  
 THIS HOLE IS NOT INTENDED FOR WIRE INSERTION.



RECOMMENDED PANEL CUTOUT

1977885-1  
 PART NUMBER

THIS DRAWING IS A CONTROLLED DOCUMENT.		DWN: KIRAN HOTAL 08NOV12	TE Connectivity
		CHK: M ZITTO 08NOV12	
DIMENSIONS: mm [INCHES]		APPD: M ZITTO 08NOV12	NAME: CPC SQUARE FLANGE RECEPTACLE ASSEMBLY, SERIES 1, SEALED, 23-37, STANDARD SEX, UV RESISTANT
TOLERANCES UNLESS OTHERWISE SPECIFIED:		PRODUCT SPEC: 108-1579	APPLICATION SPEC: -
0 PLC ± - 1 PLC ± - 2 PLC ± 0.13(.005) 3 PLC ± - 4 PLC ± - ANGLES ± -		MATERIAL: -	RESTRICTED TO: -
FINISH: -		WEIGHT: -	SCALE: 2:1
MATERIAL: 1		SIZE: A1	CAGE CODE: 00779
CUSTOMER DRAWING		DRAWING NO: 1977885	SHEET 1 OF 1
		REV: -	REV: B