

REVISIONS					
P	LTR	DESCRIPTION	DATE	DWN	APVD
C		REVISED PER ECR-24-196990	25MAR2024	GSK	DM

SPECIFICATIONS:

MATERIALS:

CASE, SEE TABLE - UL94V-0  
 ACTUATOR, NYLON, UL94V-0, SEE P/N TABLE FOR FINISH  
 COVER, STEEL, TIN FINISH  
 TERMINAL/FIXED CONTACT, COPPER ALLOY-SILVER FINISH  
 MOVING CONTACT, STAINLESS STEEL-SILVER FINISH

ELECTRICAL:

MAX CONTACT RATING, 50MILLIAMPS@24V DC  
 MIN CONTACT RATING, 1MICROAMP@1V DC  
 CONTACT RESISTANCE, 100 MILLIOHMS MAX  
 INSULATION RESISTANCE, 100 MEGOHM MIN.  
 DIELECTRIC STRENGTH, 500 V AC FOR 1 MINUTE  
 LIFE EXPECTANCY, 1,000,000 CYCLES

MECHANICAL:

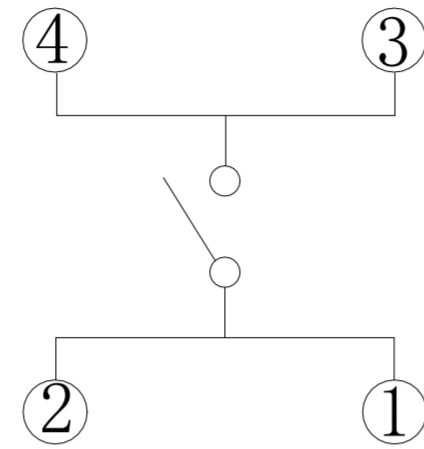
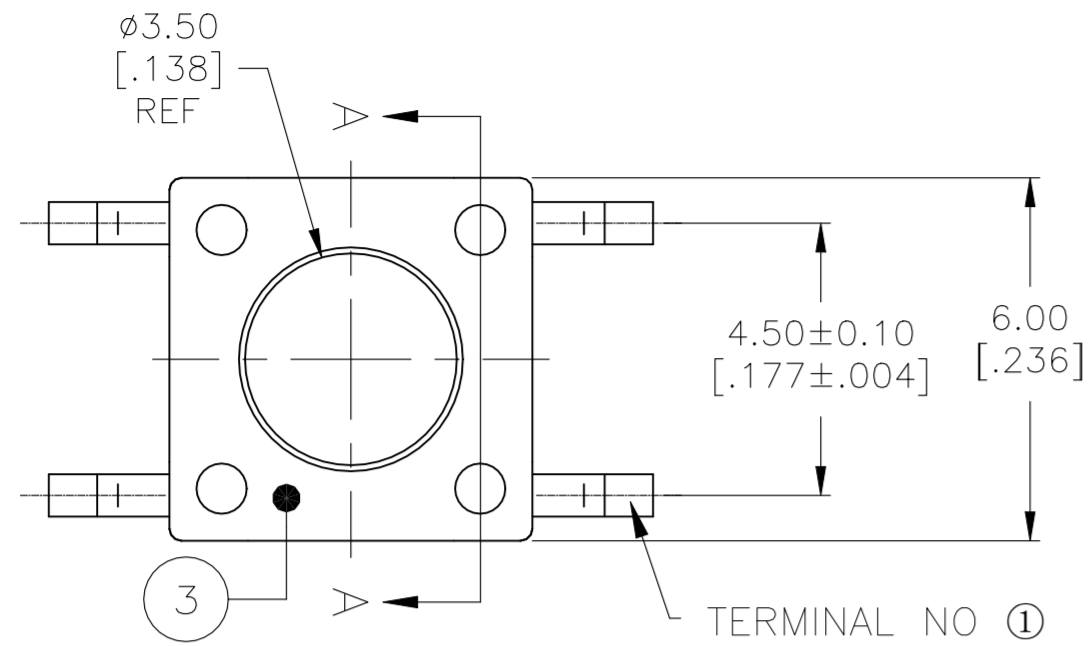
ACTUATION FORCE, SEE P/N TABLE  
 ACTUATION TRAVEL, 0.25 +0.20/-0.10  
 LIFE EXPECTANCY, 1,000,000,  
 (2 CYCLES PER SECOND AND 150% ACTUATION FORCE)

ENVIRONMENTAL:

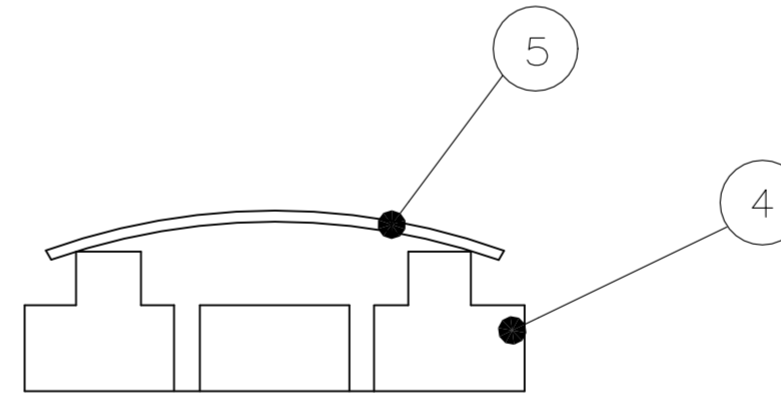
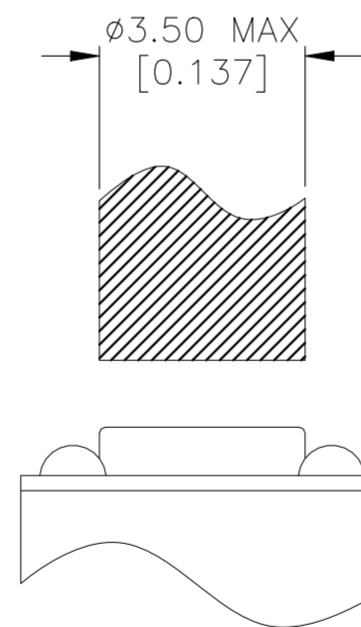
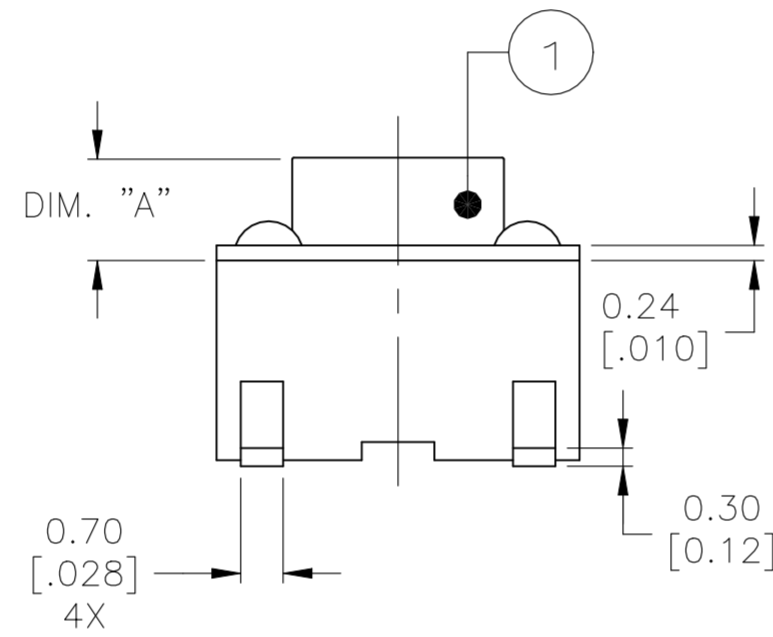
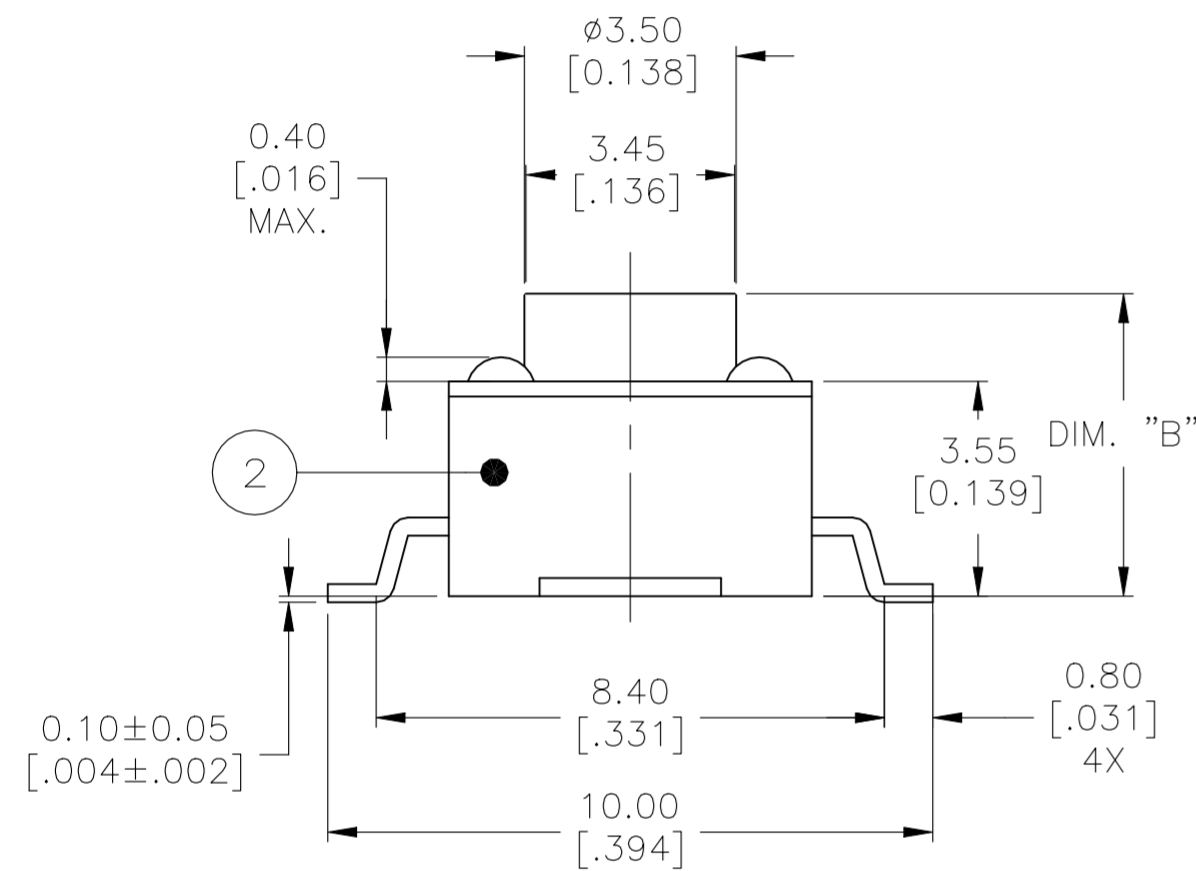
OPERATING TEMPERATURE, -40 TO +105° C  
 STORAGE TEMPERATURE, -40 TO +105° C  
 SOLDERABILITY, EIA-RS-186-9E, OR MIL-STD-202F  
 RESISTANCE TO SOLDER HEAT, 260° C FOR 10SEC-PER 109-201, COND B  
 1. NO CHANGE IN INITIAL ELECTRICAL AND MECHANICAL CHARACTERISTICS

NOTES:

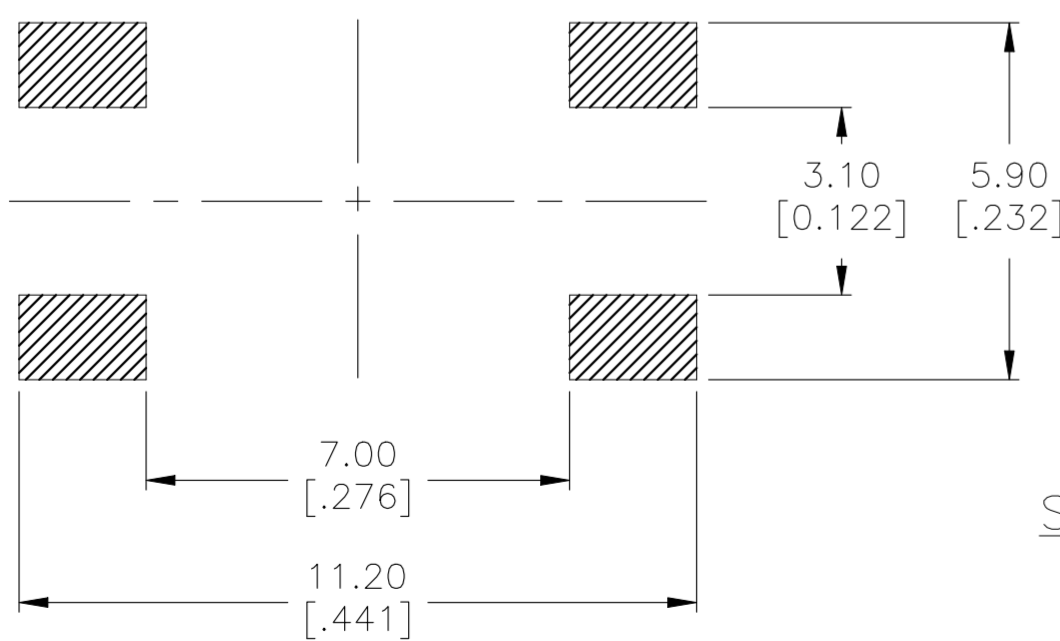
- TAPE AND REEL PACKAGING PER EIA 481.
- ALL MATERIALS AND FINISHES SHALL COMPLY WITH EU DIRECTIVE 2002/95/EC OF 27JAN2003 (ROHS)



CIRCUIT DIAGRAM



VIEW A-A



P.C.B LAND DIMENSION

SET MAKER KNOB SIZE (L:4.3mm ONLY)

( )-INDICATES MOMENTARY POSITION		
CIRCUIT CHARACTERISTICS		
CONTACT POSITION		CIRCUIT DIAGRAM
OFF	(ON)	
	1 - 3 2 - 4	


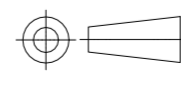
THIS DRAWING IS A CONTROLLED DOCUMENT.		DWN M.BINNER 07NOV2007		
DIMENSIONS: mm [INCHES]		CHK M.SARVER 07NOV07		
TOLERANCES UNLESS OTHERWISE SPECIFIED:		APVD M.SARVER 07NOV07	NAME MICRO MINIATURE PUSHBUTTON SWITCH FSM JSM	
0 PLC ± - 1 PLC ± - 2 PLC ± 0.30[.012] 3 PLC ± - 4 PLC ± - ANGLES ± 1°		PRODUCT SPEC -	SIZE A2	
MATERIAL -		FINISH -	CAGE CODE 00779	DRAWING NO C=1977223
		WEIGHT	RESTRICTED TO -	
		CUSTOMER DRAWING	SCALE 8:1	SHEET 1 of 3
			REV C	

REVISIONS

P	LTR	DESCRIPTION	DATE	DWN	APVD
-	-	SEE SHEET 1	-	-	-

Life Cycle	Actuator Color	Actuator Material	CASE COLOR	CASE MATERIAL	Actuation Force	PITCH	TAPE WIDTH	DIM B	DIM A	T&B P/N	P/N	
	1,000,000	GREEN	Nylon	BLACK	LCP	160±50g			13.00±0.20[.512±.008]	9.40±0.10[.370±.004]	FSM14JSMAS	3-1977223-2
	1,000,000	DEEP PINK	Nylon	BROWN	PPS	260±50g			13.00±0.20[.512±.008]	9.40±0.10[.370±.004]	FSM14JSMAS	2-1977223-9
	1,000,000	GREEN	Nylon	BLACK	LCP	160±50g			13.00±0.20[.512±.008]	9.40±0.10[.370±.004]	FSM14JSMAS	2-1977223-8
	1,000,000	BLUE	Nylon	BROWN	PPS	100±30g			13.00±0.20[.512±.008]	9.40±0.10[.370±.004]	FSM14JSMAS	2-1977223-7
	1,000,000	DEEP PINK	Nylon	BLACK	LCP	260±50g	12 MM	24 MM	9.50±0.20[.374±.008]	5.89±0.10[.232±.004]	FSM8JSMAS	2-1977223-6
OBSOLETE	1,000,000	DEEP PINK	Nylon			260±50g			9.50±0.20[.374±.008]	5.89±0.10[.232±.004]	FSM8JSMAS	2-1977223-5
	1,000,000	GREEN	Nylon	BLACK	LCP	160±50g	12 MM	24 MM	9.50±0.20[.374±.008]	5.89±0.10[.232±.004]	FSM8JSMAS	2-1977223-4
OBSOLETE	1,000,000	GREEN	Nylon			160±50g			9.50±0.20[.374±.008]	5.89±0.10[.232±.004]	FSM8JSMAS	2-1977223-3
	1,000,000	BLUE	Nylon	BLACK	LCP	100±30g	12 MM	24 MM	9.50±0.20[.374±.008]	5.89±0.10[.232±.004]	FSM8JSMAS	2-1977223-2
OBSOLETE	1,000,000	BLUE	Nylon			100±30g			9.50±0.20[.374±.008]	5.89±0.10[.232±.004]	FSM8JSMAS	2-1977223-1
	1,000,000	DEEP PINK	Nylon	BLACK	LCP	260±50g	12 MM	24 MM	7.01±0.20[.276±.008]	3.40±0.10[.134±.004]	FSM6JSMAS	2-1977223-0
	1,000,000	DEEP PINK	Nylon	BLACK	LCP	260±50g			7.01±0.20[.276±.008]	3.40±0.10[.134±.004]	FSM6JSMAS	1-1977223-9
OBSOLETE	1,000,000	GREEN	Nylon			160±50g	12 MM	24 MM	7.01±0.20[.276±.008]	3.40±0.10[.134±.004]	FSM6JSMAS	1-1977223-8
	1,000,000	GREEN	Nylon			160±50g			7.01±0.20[.276±.008]	3.40±0.10[.134±.004]	FSM6JSMAS	1-1977223-7
	1,000,000	BLUE	Nylon	BLACK	LCP	100±30g	12 MM	24 MM	7.01±0.20[.276±.008]	3.40±0.10[.134±.004]	FSM6JSMAS	1-1977223-6
	1,000,000	BLUE	Nylon	BROWN	PPS	100±30g			7.01±0.20[.276±.008]	3.40±0.10[.134±.004]	FSM6JSMAS	1-1977223-5
OBSOLETE	1,000,000	VIOLET	Nylon			70±30g	12 MM	16 MM	4.98±0.25[.196±.010]	1.40±0.10[.055±.004]	FSM4JSMAS	1-1977223-4
	1,000,000	VIOLET	Nylon			70±30g			4.98±0.25[.196±.010]	1.40±0.10[.055±.004]	FSM4JSMAS	1-1977223-3
OBSOLETE	1,000,000	DEEP PINK	Nylon			260±50g	12 MM	16 MM	4.98±0.25[.196±.010]	1.40±0.10[.055±.004]	FSM4JSMAS	1-1977223-2
	1,000,000	DEEP PINK	Nylon			260±50g			4.98±0.25[.196±.010]	1.40±0.10[.055±.004]	FSM4JSMAS	1-1977223-1
	1,000,000	GREEN	Nylon	BLACK	LCP	160±50g	12 MM	16 MM	4.98±0.25[.196±.010]	1.40±0.10[.055±.004]	FSM4JSMAS	1-1977223-0
	1,000,000	GREEN	Nylon	BLACK	LCP	160±50g			4.98±0.25[.196±.010]	1.40±0.10[.055±.004]	FSM4JSMAS	1977223-9
SUPERCEDED BY 1571563-8	1,000,000	BLUE	Nylon	BLACK	LCP	100±30g	12 MM	16 MM	4.98±0.25[.196±.010]	1.40±0.10[.055±.004]	FSM4JSMAS	1977223-8
SUPERCEDED BY 1571563-7	1,000,000	BLUE	Nylon	BLACK	LCP	100±30g			4.98±0.25[.196±.010]	1.40±0.10[.055±.004]	FSM4JSMAS	1977223-7
	1,000,000	DEEP PINK	Nylon	BLACK	LCP	260±50g	12 MM	16 MM	4.29±0.20[.169±.008]	0.71±0.10[.028±.004]	FSM2JSMAS	1977223-6
	1,000,000	DEEP PINK	Nylon	BLACK	LCP	260±50g			4.29±0.20[.169±.008]	0.71±0.10[.028±.004]	FSM2JSMAS	1977223-5
	1,000,000	GREEN	Nylon	BLACK	LCP	160±50g	12 MM	16 MM	4.29±0.20[.169±.008]	0.71±0.10[.028±.004]	FSM2JSMAS	1977223-4
	1,000,000	GREEN	Nylon	BROWN	PPS	160±50g			4.29±0.20[.169±.008]	0.71±0.10[.028±.004]	FSM2JSMAS	1977223-3
	1,000,000	BLUE	Nylon	BLACK	LCP	100±30g	12 MM	16 MM	4.29±0.20[.169±.008]	0.71±0.10[.028±.004]	FSM2JSMAS	1977223-2
	1,000,000	BLUE	Nylon	BLACK	LCP	100±30g			4.29±0.20[.169±.008]	0.71±0.10[.028±.004]	FSM2JSMAS	1977223-1

SUPERCEDED BY 1571563-8  
 SUPERCEDED BY 1571563-7

THIS DRAWING IS A CONTROLLED DOCUMENT.		DWN M.BINNER 07NOV2007	 TE Connectivity	
DIMENSIONS: mm [INCHES]		CHK M.SARVER 07NOV07		
TOLERANCES UNLESS OTHERWISE SPECIFIED:		APVD M.SARVER 07NOV07	NAME MICRO MINIATURE PUSHBUTTON SWITCH FSM JSM	
 0 PLC ± - 1 PLC ± - 2 PLC ± 0.30[.012] 3 PLC ± - 4 PLC ± - ANGLES ± 1°		PRODUCT SPEC	SIZE A2	
MATERIAL		APPLICATION SPEC	CAGE CODE 00779	DRAWING NO C=1977223
FINISH		WEIGHT	RESTRICTED TO	
CUSTOMER DRAWING			SCALE 8:1	SHEET 2 of 3

REVISIONS

P	LTR	DESCRIPTION	DATE	DWN	APVD
-	-	SEE SHEET 1	-	-	-

PRODUCT KEY

TYPICAL PRODUCT KEY

FSM 2 JSM L S TR

TYPE

FSM TACTILE SWITCH 6X6mm

ACTUATION LENGTH

2	4.3mm(.169)	8	9.5mm(.374)
4	5.0mm(.196)	14	13.0mm(5.12)
6	7.0mm(.276)		

VERSION

JSM SURFACE MOUNT VERSION

ACTUATION FORCE

XL	0.7±0.3N (70±3gf)	A	1.6±0.5N (160±50gf)
L	1.0±0.3N (100±3gf)	AA	2.6±0.5N (520±50gf)

SWITCHING DOME


S STEEL DOME

PACKAGING

BLANK BULK  
TR TAPE & REEL

1977223

B

THIS DRAWING IS A CONTROLLED DOCUMENT.		DWN M.BINNER 07NOV2007		
DIMENSIONS: mm [INCHES]		CHK M.SARVER 07NOV07		
TOLERANCES UNLESS OTHERWISE SPECIFIED:		APVD M.SARVER 07NOV07	NAME MICRO MINIATURE PUSHBUTTON SWITCH FSM JSM	
0 PLC ± -		PRODUCT SPEC	SIZE A2	
1 PLC ± -		APPLICATION SPEC	CAGE CODE 00779	
2 PLC ± 0.30[.012]		WEIGHT	DRAWING NO C=1977223	
3 PLC ± -		MATERIAL	RESTRICTED TO	
4 PLC ± -		FINISH	SCALE 8:1	
ANGLES ± 1°		CUSTOMER DRAWING	SHEET 3 of 3	
			REV C	

A