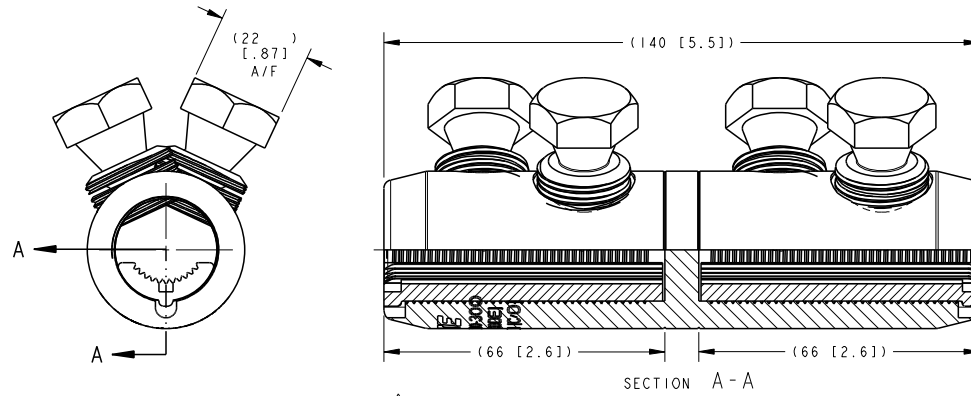
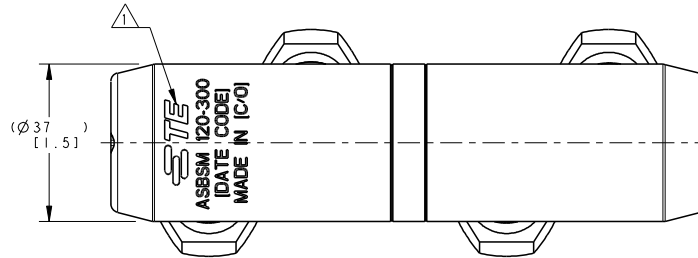


LOC	DIST	REVISIONS			
P	LTR	DESCRIPTION	DATE	DWN	APVD
A		INITIAL REL. PER LC20-0044-12	11MAY2012	DM	BJ
B		LC20-0052-12 / ECO-12-009662	18MAY2012	DM	BJ

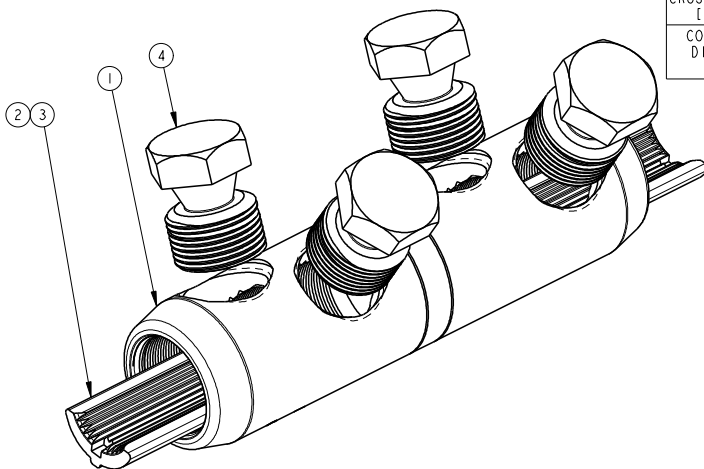


- MARKING:**  
**STE**  
 ASBSM 120-300  
 [DATE CODE]  
 MADE IN [COUNTRY OF ORIGIN]
- ALL DIMENSIONS ARE FOR REFERENCE ONLY.
  - CONNECTOR CONTAINS FACTORY APPLIED ANTI-OXIDE INHIBITOR.
  - FINISH: ELECTRO-TIN PLATED.
  - INSTALL BOLTS WITH 22 mm HEX SOCKET.



CONDUCTOR ACCOMMODATION	AL			CU	
	ROUND STRANDED	ROUND SOLID	SECTOR STRANDED	ROUND STRANDED	SECTOR STRANDED
CONDUCTOR CROSS-SECTION, [sqr mm]	120-300	150-300	120-185 (240 W/ ROUNDING)	120-300	120-185 (240 W/ ROUNDING)
CONDUCTOR DIAMETER, [mm]	∅12.7-∅23.1	∅12.9-∅19.8	-	∅12.7-∅22.6	-

ASBSM 120-300	1974159-1
CATALOG NO.	PART NO.



QTY	DESCRIPTION	ITEM NO
1	INSTALLATION INSTRUCTION SHEET, 408-32055	6
1	ABRASIVE TAPE	5
4	MULTI SHEAR HEAD BOLT, M22, ALUMINUM ALLOY	4
A/R	INHIBITOR	3
2	INSERT, ALUMINUM ALLOY, TIN PLATED	2
1	CONNECTOR SLEEVE BODY, ALUMINUM ALLOY, TIN PLATED	1
-1	DESCRIPTION	ITEM NO
PARTS LIST		

THIS DRAWING IS A CONTROLLED DOCUMENT.

DWN: D. MURUGIAH	03MAY2012	TE Connectivity
CHK: A. BULZA	11MAY2012	
APVD: B. JOHNSON	11MAY2012	
PRODUCT SPEC		
MATERIAL: SEE BOM	FINISH: SEE BOM	NAME: SHEARBOLT SLEEVE CONNECTOR, ALUM, SOLID OIL STOP, 120-300 SQR MM SIZE: A200779 CAGE CODE: 1974159 DRAWING NO: 1974159 RESTRICTED TO: -
CUSTOMER DRAWING		SCALE: NTS SHEET 1 OF 1 REV B