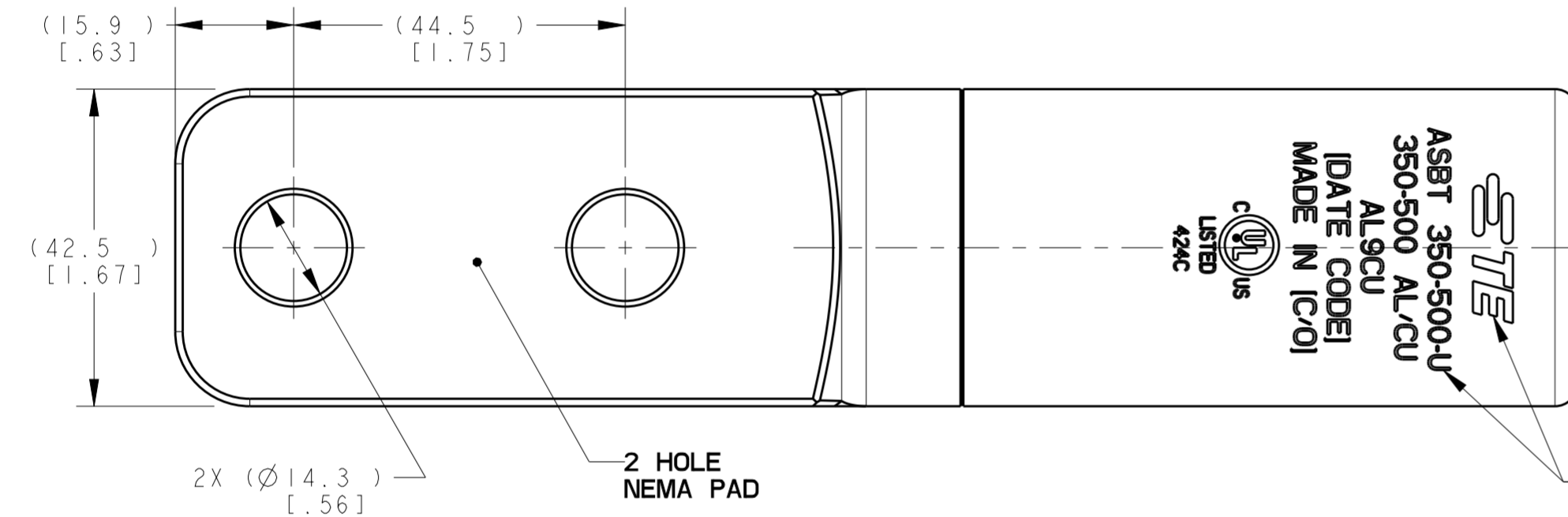
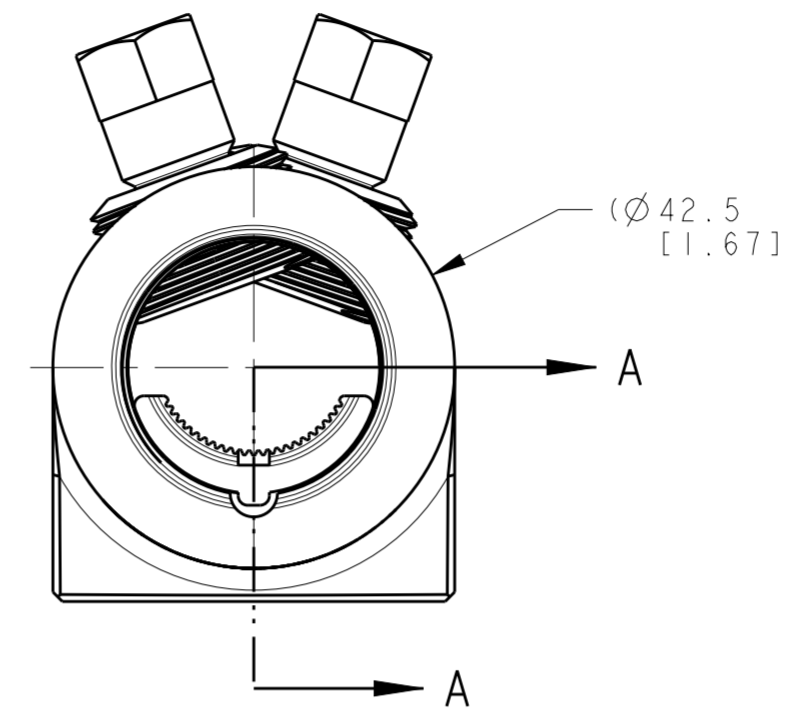
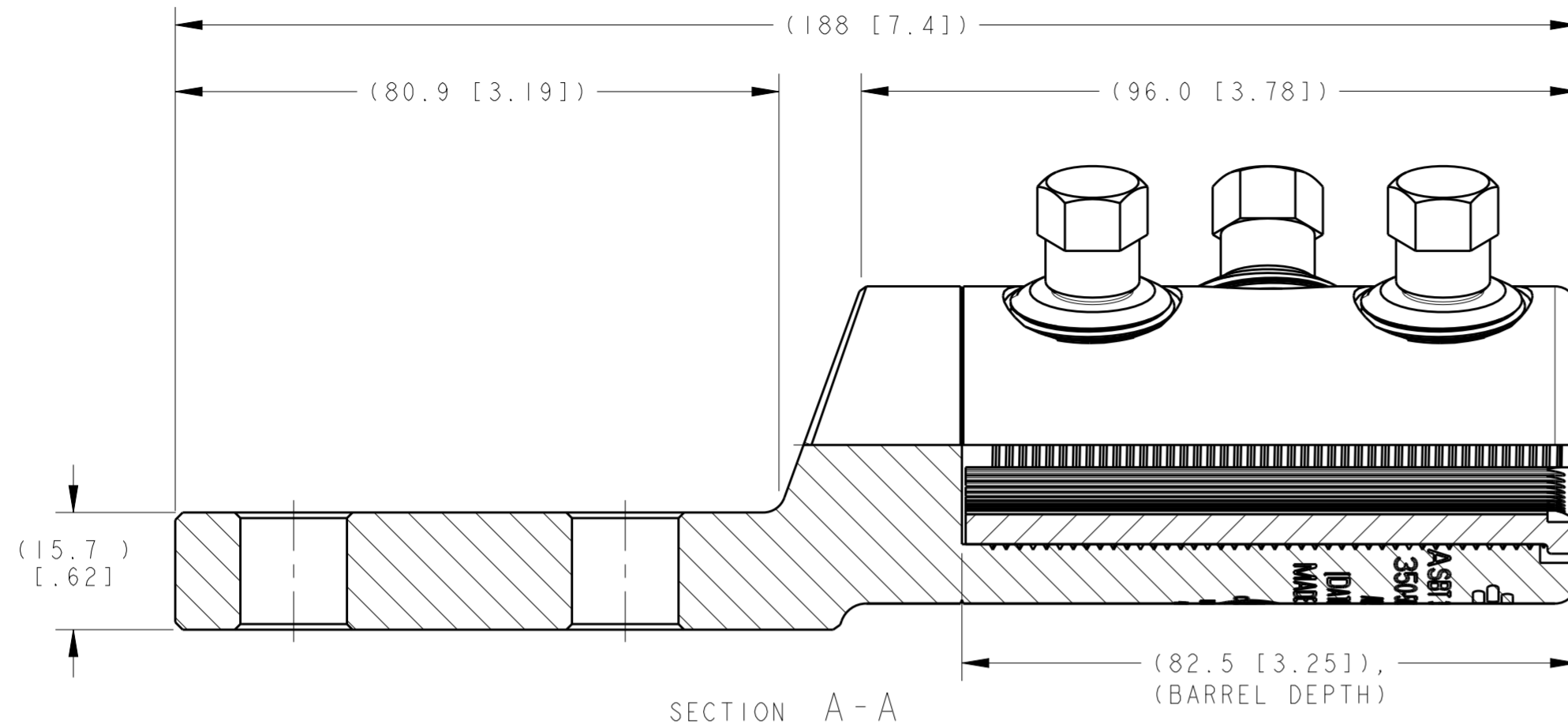


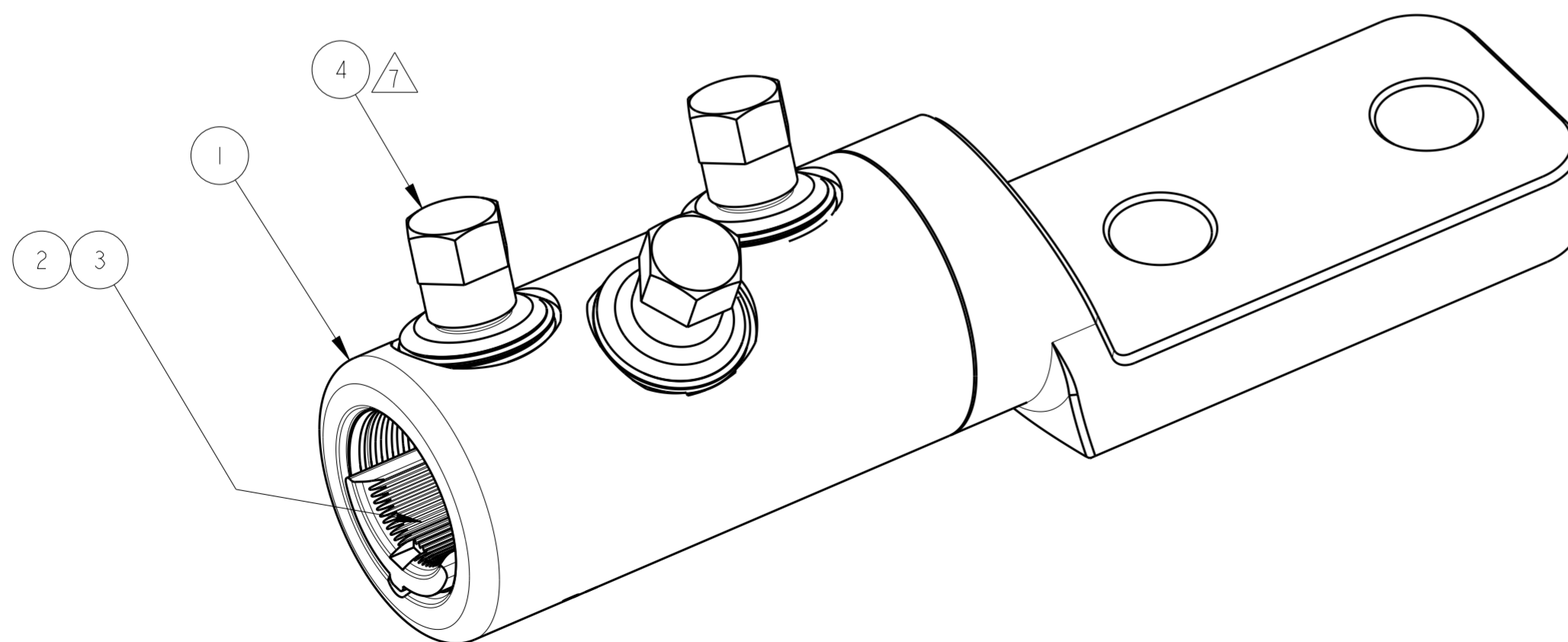
REVISIONS					
P	LTR	DESCRIPTION	DATE	DWN	APVD
A		INITIAL REL. PER LC20-0002-12	19DEC2011	DM	BJ
B		LC20-0022-12 / ECO-12-004321	01MAR2012	DM	BJ
C		LC20-0072-14 / ECO-14-007911	21MAY2014	DM	BJ
D		LC20-0080-20 / ECO-20-011173	07AUG2020	DM	BJ



- ACCOMMODATES:
350 KCMIL COMPACT Ø15.65 [.616 DIA] TO
500 KCMIL STANDARD Ø20.65 [1.813 DIA]
ALUMINUM OR COPPER CONDUCTORS.

- MARKING:
STE
ASBT-350-500-U
350-500 AL/CU
AL9CU
MADE IN [COUNTRY OF ORIGIN]
[DATE CODE]
 LISTED 424C
- ALL DIMENSIONS ARE FOR REFERENCE ONLY.
- CONNECTOR CONTAINS FACTORY APPLIED ANTI-OXIDE INHIBITOR.
- FINISH:
ELECTRO-TIN PLATED.
- DO NOT REMOVE INSERT FROM THE CONNECTOR.
- INSTALL BOLTS WITH 13 mm [1/2 inch] HEX SOCKET.

ASBT-350-500-U	1974148-1
CATALOG NO	PART NO



QTY	DESCRIPTION	ITEM NO
1	INSTALLATION INSTRUCTION SHEET, 408-32025	6
1	ABRASIVE TAPE	5
3	SHEAR HEAD BOLT, M22 SIZE, ALUMINUM ALLOY	4
A/R	INHIBITOR	3
1	INSERT, ALUMINUM ALLOY, TIN PLATED	2
1	TERMINAL CONNECTOR BODY, ALUMINUM ALLOY, TIN PLATED	1
-1		

THIS DRAWING IS A CONTROLLED DOCUMENT.

DIMENSIONS: mm [INCH]	TOLERANCES UNLESS OTHERWISE SPECIFIED: 0 PLC ± 1 PLC ± 2 PLC ± 3 PLC ± 4 PLC ± ANGLES ± FINISH	DWN: D. MURUGIAH 19DEC2011 CHK: A. BULZA 09FEB2012 APVD: B. JOHNSON 09FEB2012	TE Connectivity NAME: SHEARBOLT TERMINAL, ALUMINUM, 2 HOLE NEMA PAD, 350 KCMIL TO 500 KCMIL SIZE: A2 CAGE CODE: C-1974148 DRAWING NO: 1974148
MATERIAL: SEE BOM	FINISH: SEE BOM	PRODUCT SPEC: - APPLICATION SPEC: - WEIGHT: -	

CUSTOMER DRAWING SCALE: 5:4 SHEET 1 OF 1 REV D