

4

3

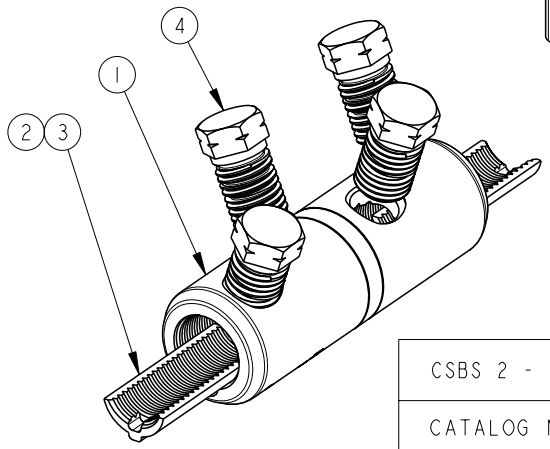
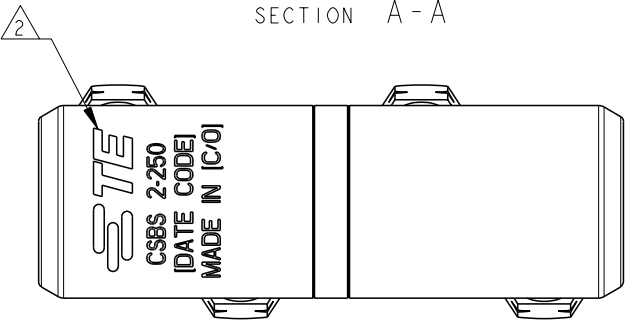
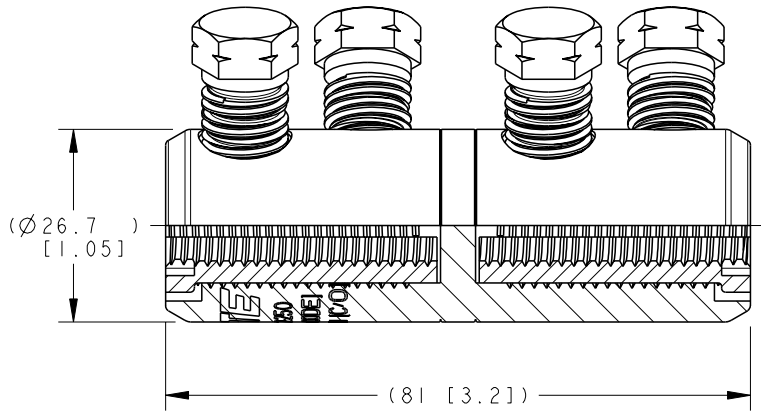
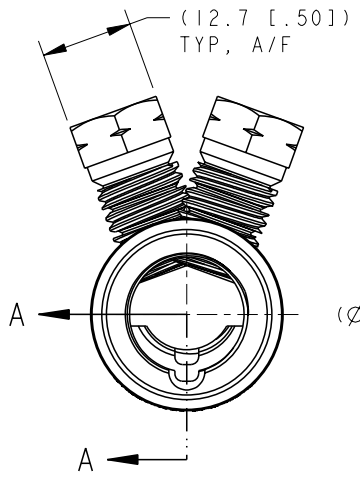
2

1

THIS DRAWING IS UNPUBLISHED. RELEASED FOR PUBLICATION 20
 © COPYRIGHT 20 BY - ALL RIGHTS RESERVED.

LOC GA DIST I

REVISIONS				
P	LTR	DESCRIPTION	DATE	APVD
A		INITIAL REL. PER LC20-0053-11	28SEP2011	DM BJ
B		LC20-0151-11 / ECO-11-024500	05DEC2011	DM BJ



CSBS 2 - 250	1974136-1
CATALOG NO.	PART NO.

- ACCOMMODATES:
#2 AWG COMPACT (Ø6.81 [.268 DIA])
TO 250 KCMIL STD STR (Ø14.61 [.575] DIA)
COPPER CONDUCTORS.
- MARKING:
STE
CSBS 2 - 250
[DATE CODE]
MADE IN [COUNTRY OF ORIGIN]
- INSERT SHALL BE REMOVED FOR CONDUCTOR SIZES LARGER THAN OR EQUAL TO 4/0 AWG COMPRESSED COND (Ø13.00 [.512 DIA]) .
- ALL DIMENSIONS ARE FOR REFERENCE ONLY.
- INSTALL BOLTS WITH 1/2 INCH HEX. SOCKET.

1	INSTALLATION INSTRUCTION SHEET, 408-10327	6
1	ABRASIVE TAPE	5
4	MULTI-SHEAR BOLT, BRASS, M12	4
A/R	CONTACT GREASE, NEUTRAL	3
2	INSERT, ETP COPPER	2
1	CONNECTOR BODY, ETP COPPER	1
- 1	DESCRIPTION	ITEM NO
QTY	PARTS LIST	

THIS DRAWING IS A CONTROLLED DOCUMENT.

DIMENSIONS: mm [INCH]	TOLERANCES UNLESS OTHERWISE SPECIFIED: 0 PLC ± 1 PLC ± 2 PLC ± 3 PLC ± 4 PLC ± ANGLES ± FINISH NONE	MATERIAL SEE BOM	DWN D. MURUGIAH 08APR2011 CHK A. BULZA 29SEP2011 APVD B. JOHNSON 29SEP2011	NAME STE TE Connectivity
CUSTOMER DRAWING			PRODUCT SPEC -	APPLICATION SPEC -
SCALE NTS			SIZE A3	CAGE CODE 00779
SHEET 1 OF 1			DRAWING NO. C-1974136	RESTRICTED TO -
REV B				