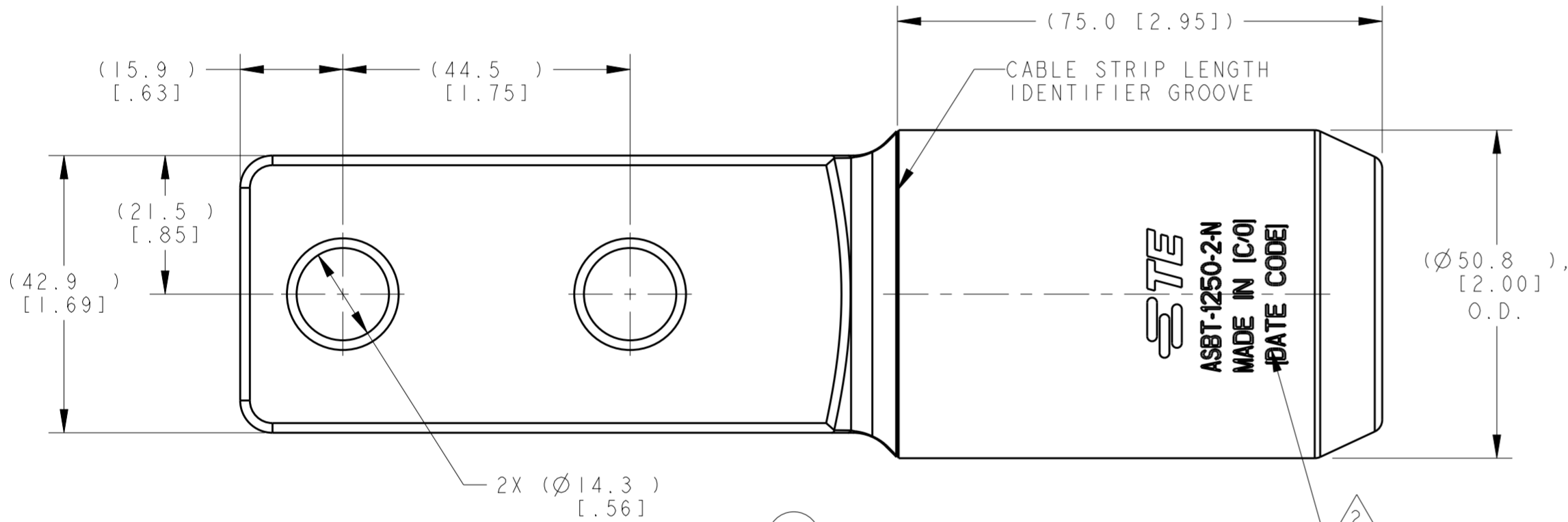
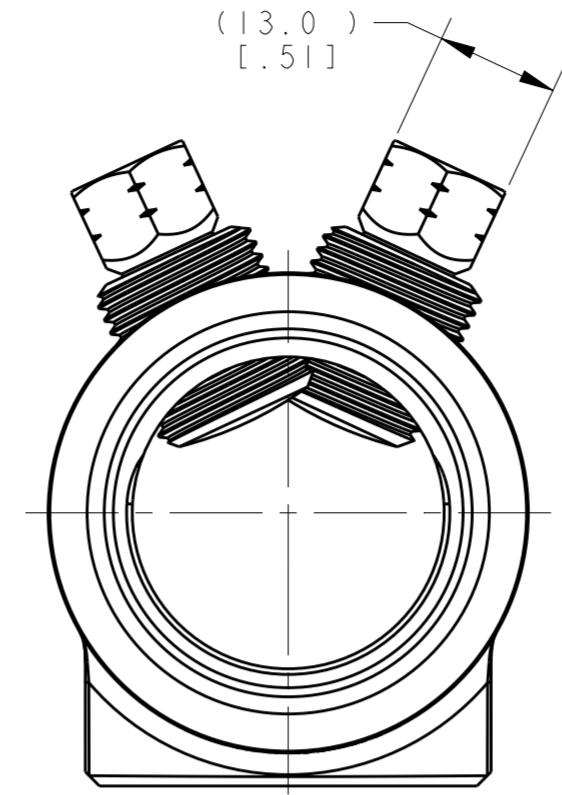
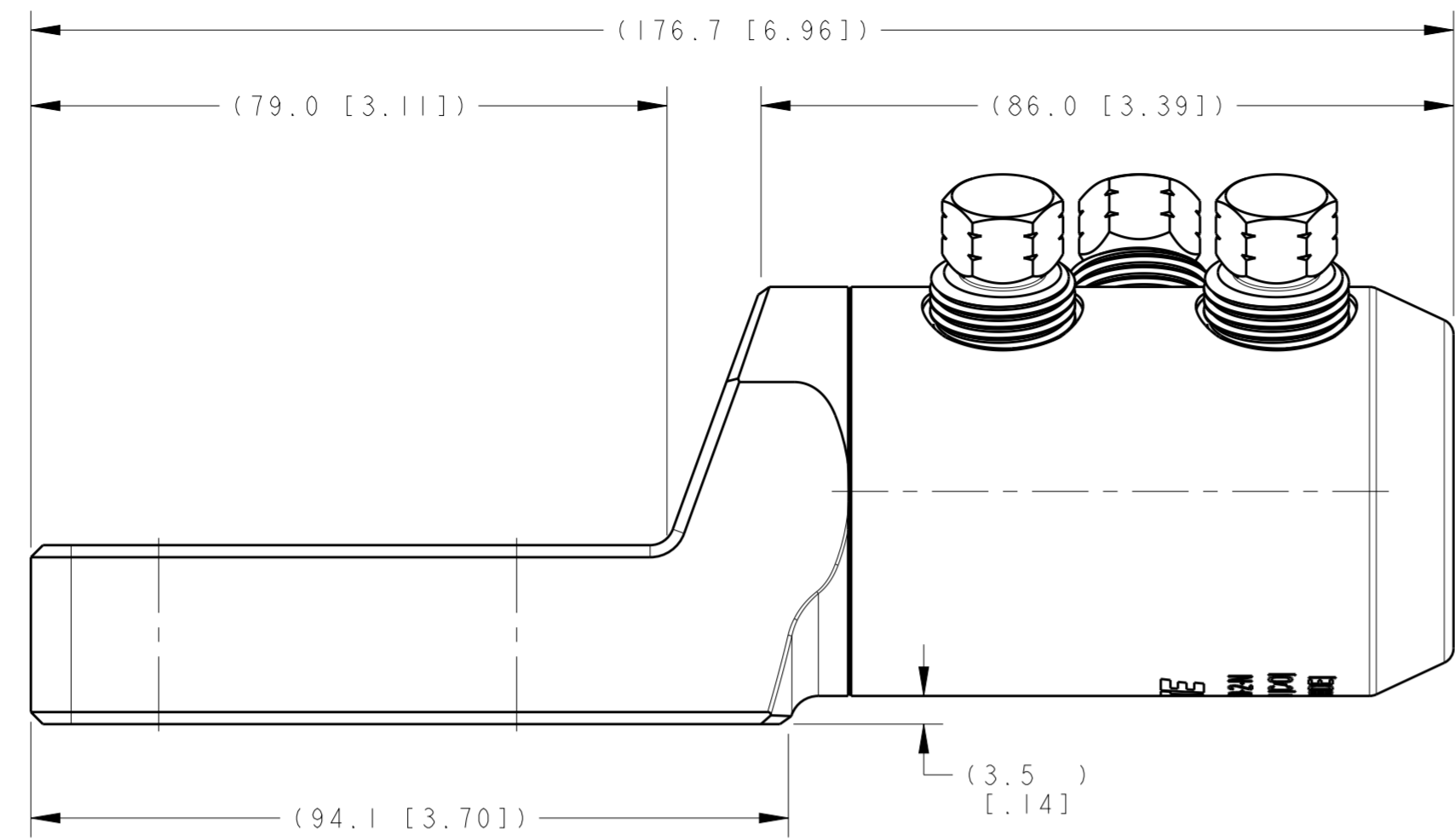
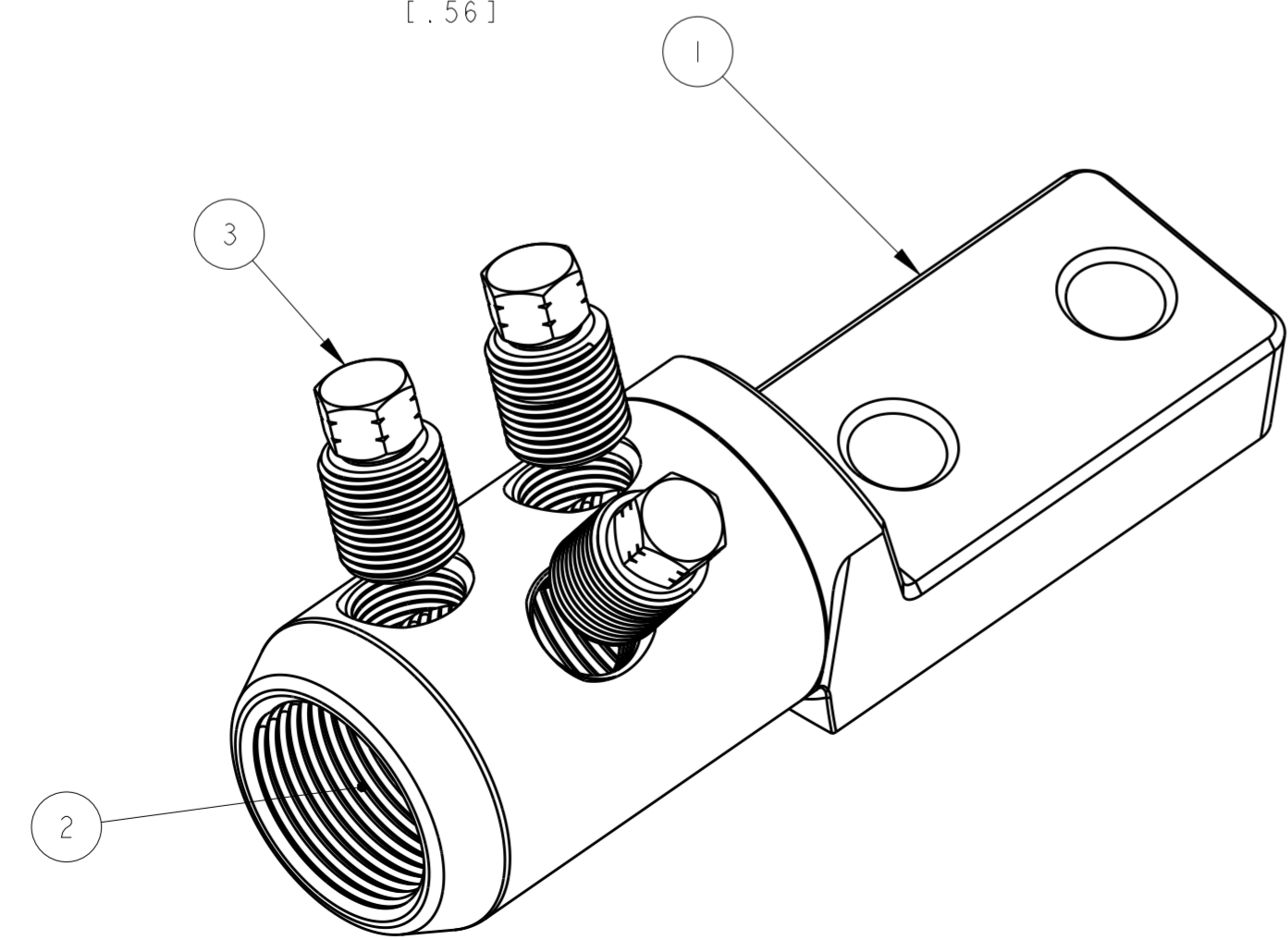


THIS DRAWING IS UNPUBLISHED. RELEASED FOR PUBLICATION 20
 © COPYRIGHT 20 BY - ALL RIGHTS RESERVED.

REVISIONS					
P	LTR	DESCRIPTION	DATE	DWN	APVD
1		PREL. REL. PER LC20-0201-10	01DEC2010	DM	BJ
A		LC20-0008-15 / ECO-15-000968	19JAN2015	DM	BJ
B		LC20-0122-15 / ECO-15-014515	02OCT2015	DM	BJ



- ACCOMMODATES:
1250 KCMIL COMPACT STR (Ø30.23 [1.190 DIA])
TO
1250 KCMIL COMPRESSED STR (Ø31.75 [1.250 DIA])
ALUMINUM OR COPPER CONDUCTORS.
- MARKING:
STE
ASBT-1250-2-N
MADE IN [COUNTRY OF ORIGIN]
[DATE CODE]
- CONNECTOR CONTAINS FACTORY APPLIED ANTI-OXIDE INHIBITOR.
- INSTALL BOLTS WITH 13 mm HEX SOCKET.



ASBT-1250-2-N	1974132-1
CATALOG NO	PART NO

1	INSTALLATION INSTRUCTION SHEET, 408-32169	5
1	ABRASIVE TAPE	4
3	MULTI-SHEAR BOLT, M18X1.5, ALUMINUM	3
A/R	INHIBITOR	2
1	TERMINAL CONNECTOR BODY, ALUMINUM, TIN PLATED, 1250 KCMIL	1
-1	DESCRIPTION	ITEM NO
QTY	PARTS LIST	

THIS DRAWING IS A CONTROLLED DOCUMENT.

DIMENSIONS: mm [INCH]	TOLERANCES UNLESS OTHERWISE SPECIFIED: 0 PLC ± 1 PLC ± 2 PLC ± 3 PLC ± 4 PLC ± ANGLES ± FINISH	DWN: 01DEC2010 CHK: D. MURUGLAH A. BULZA APVD: B. JOHNSON 19JAN2015	TE Connectivity	
MATERIAL: SEE BOM	FINISH: TIN PLATED	PRODUCT SPEC: -	NAME: SHEARBOLT TERMINAL, ALUMINUM, TIN PLATED, 1250 KCMIL, 2 HOLE NEMA PAD, NARROW	
		APPLICATION SPEC: -	SIZE: A2	CAGE CODE: 00779
		WEIGHT: -	DRAWING NO: C-1974132	RESTRICTED TO: -
		Customer Drawing	SCALE: NTS	SHEET: 1 OF 1 REV: B