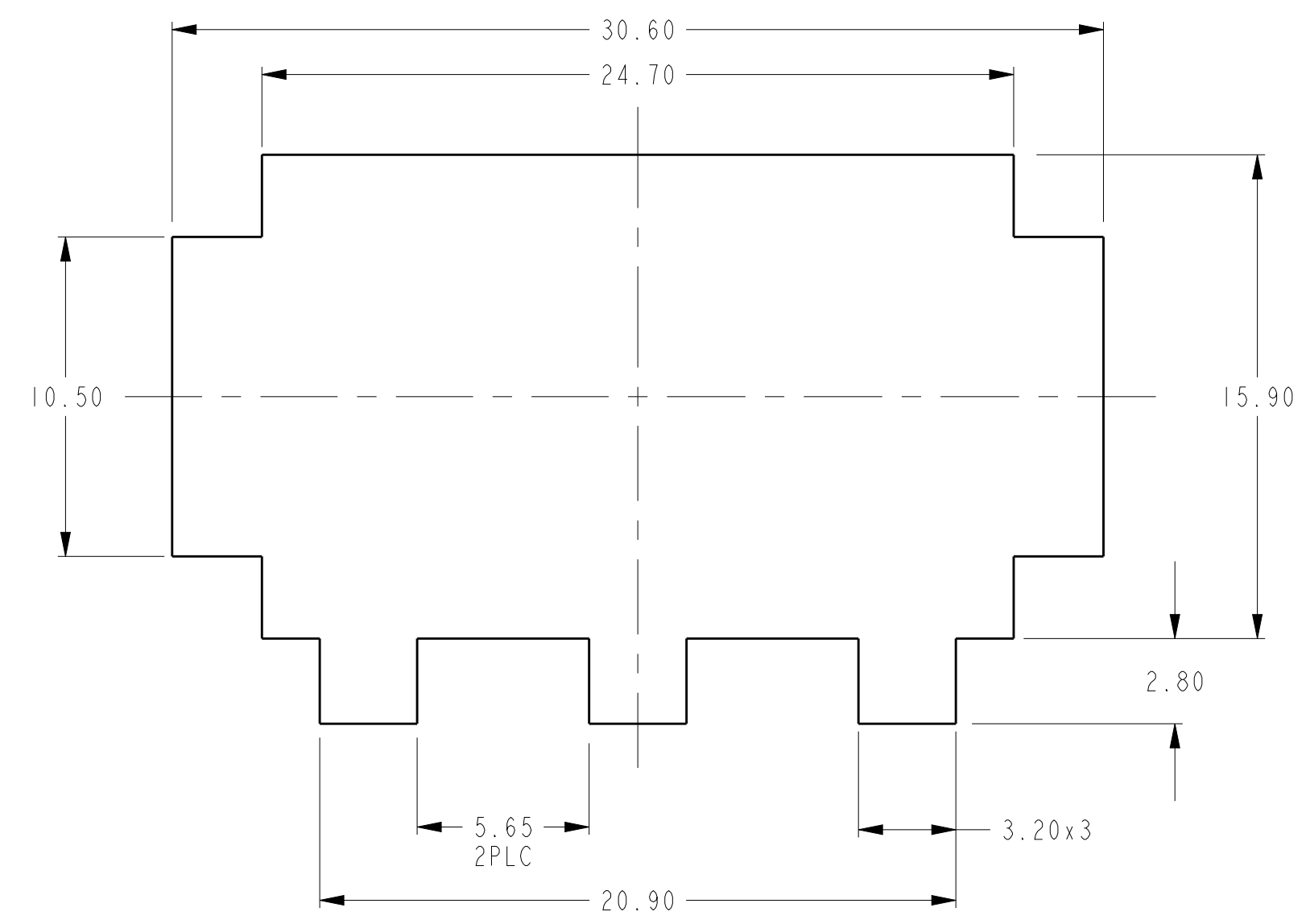
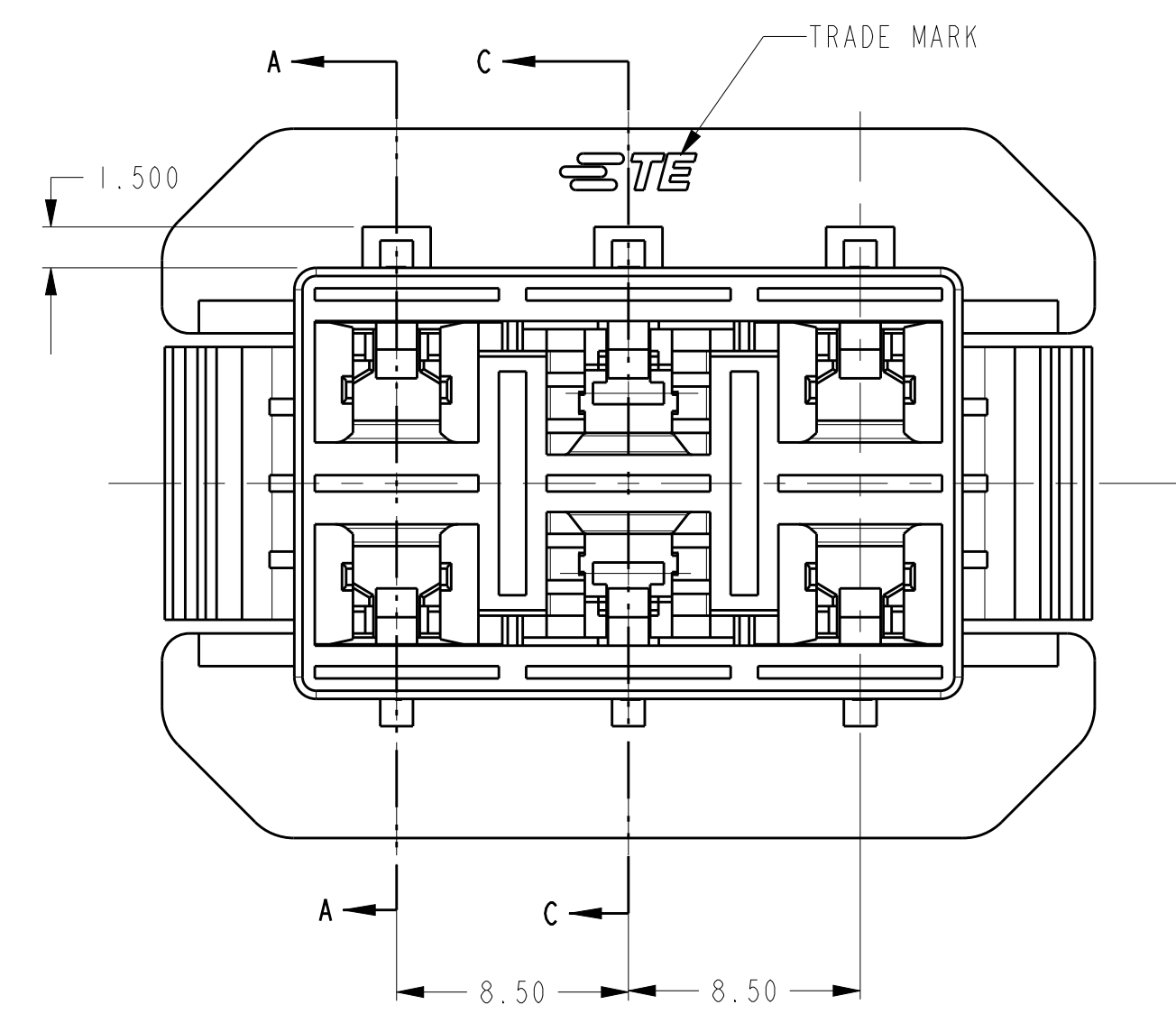
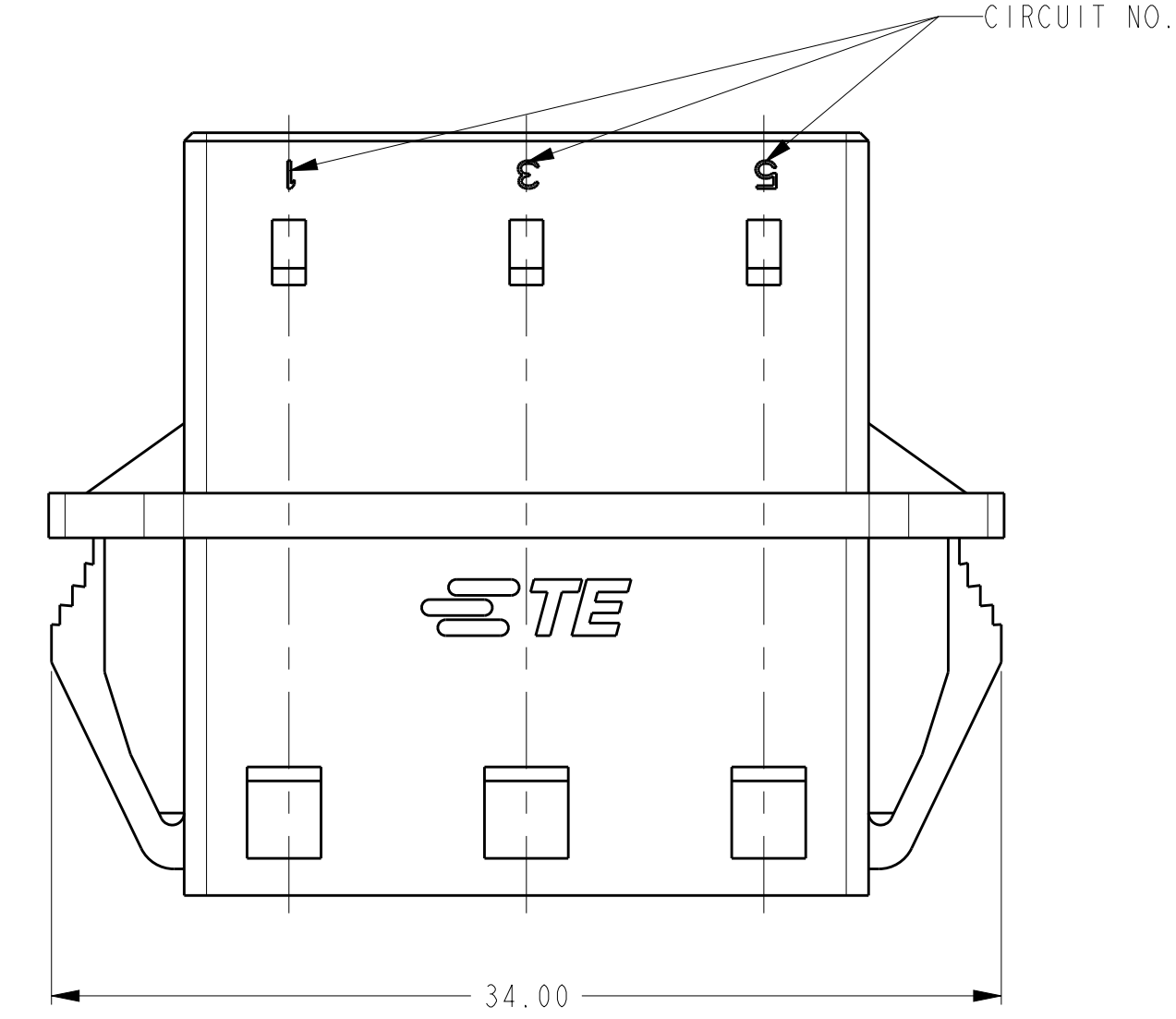
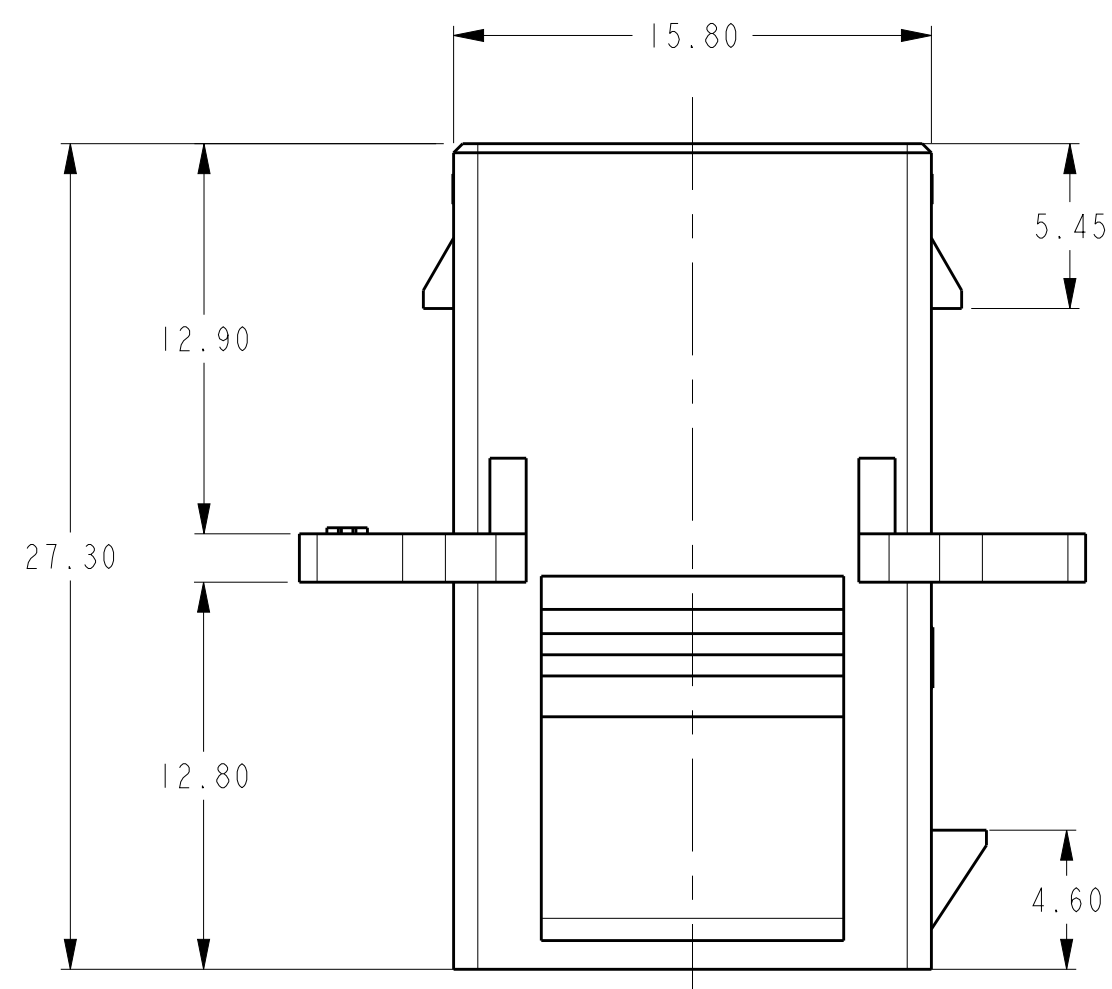


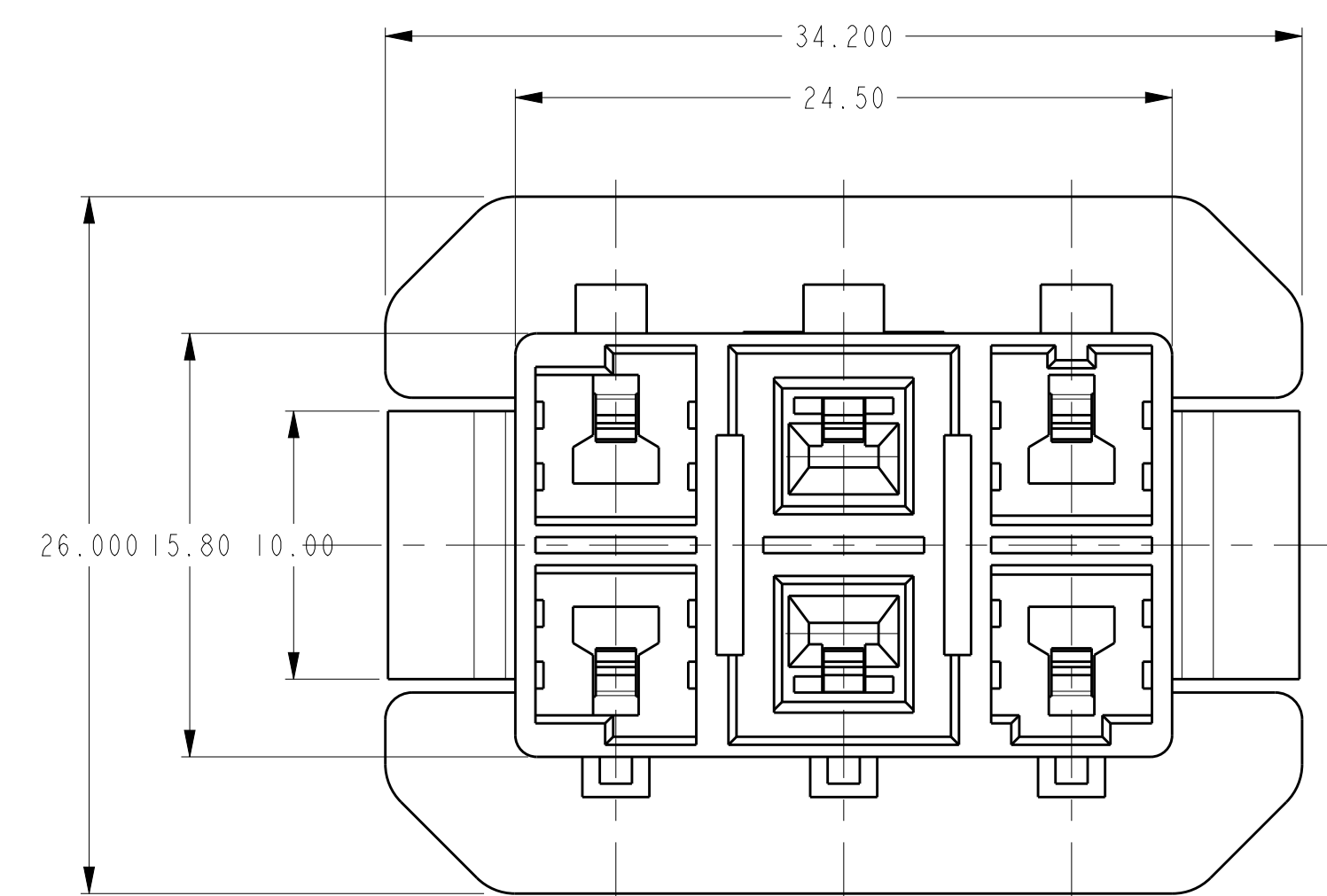
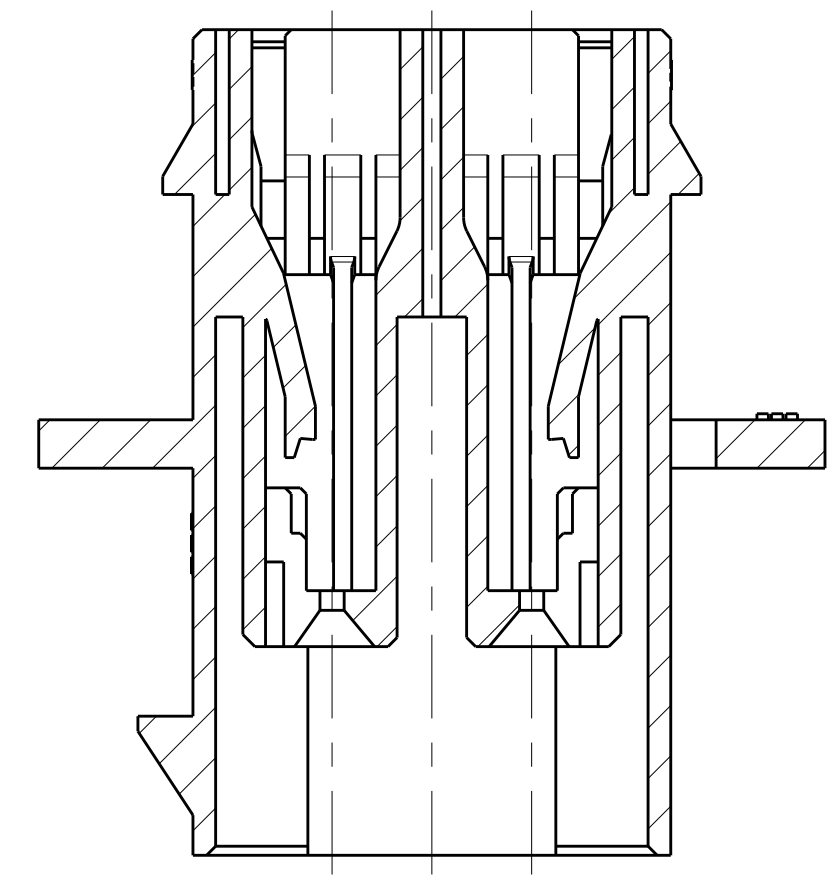
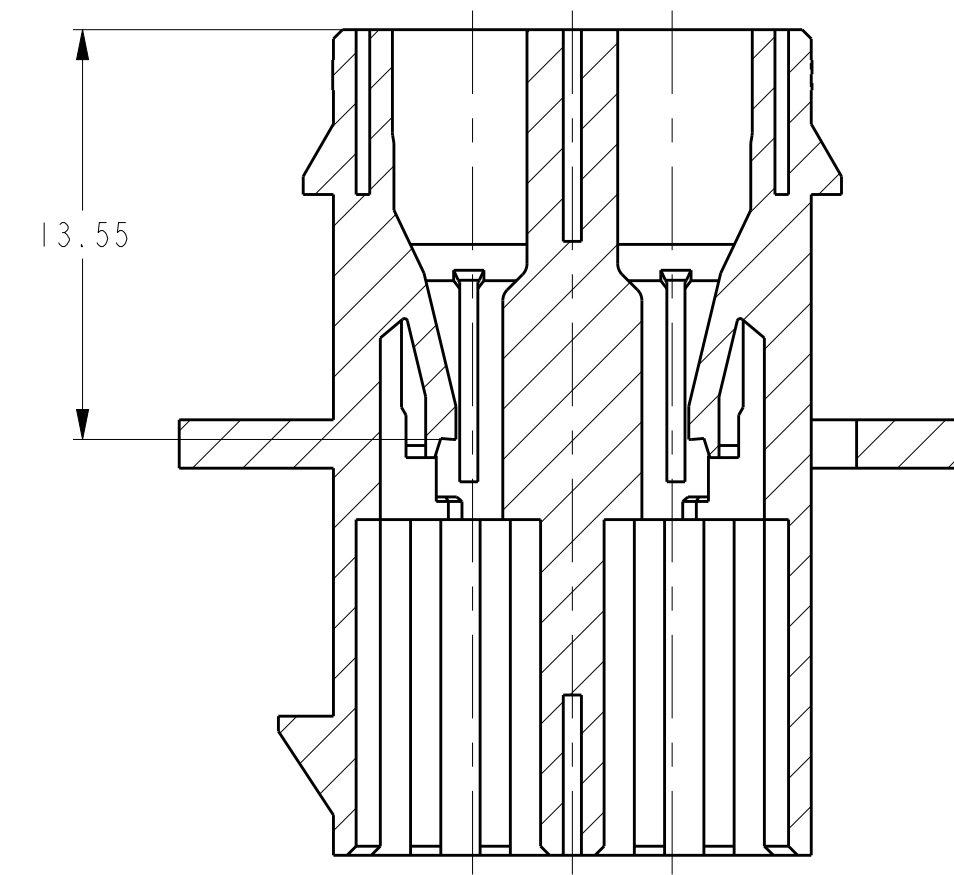
LOC		DIST		REVISIONS			
P	LTN	DESCRIPTION	DATE	DWN	APVD		
A3		REVISED PER ECR-17-000612	07FEB2017	N.L	D.Z		
B		REVISED PER ECR-19-015245	01OCT2019	M.G	D.Z		



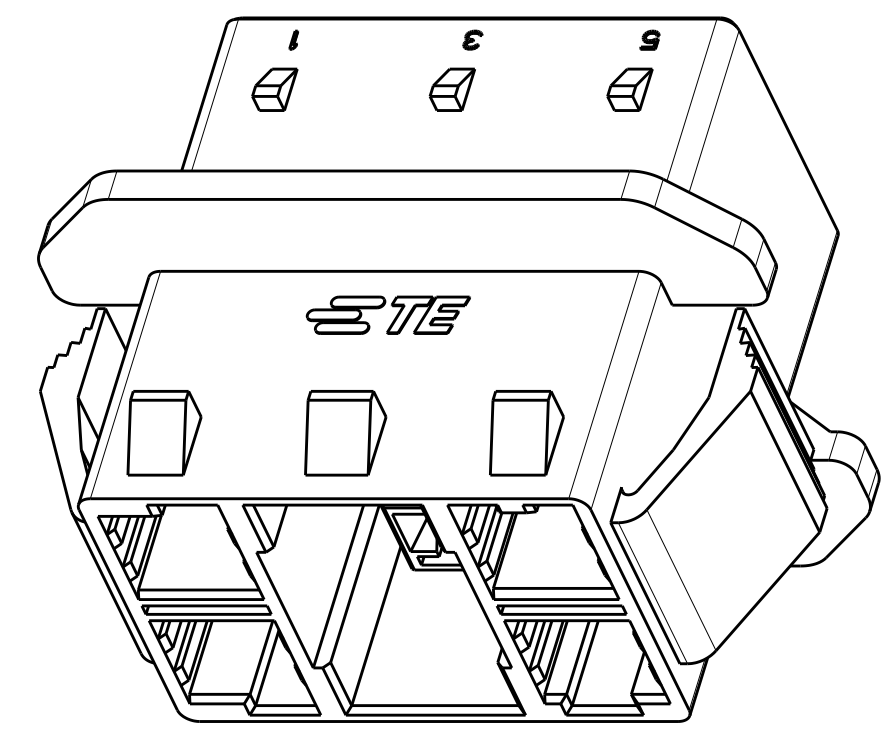
RECOMMENDED PANEL OPENING DIMENSIONS  
 (TOLERANCE: ±0.05mm)



CONN. INSERTION DIRECTION FOR PANEL



- NOTE**
- 1 MATERIAL: THERMOPLASTIC, UL94 V-0, COLOR: BLACK
  - 2 PRODUCT SPEC: 108-106071
  - 3 APPLICABLE CONTACT P/N:  
 TAB CONTACT: 1983661/2-1  
 REC CONTACT: 1983663/4-1
  - 4 MATING CONN. P/N:  
 HSG: 1971882-1(2P), 1971883-1(4P)
  - 5 APPLICABLE DOUBLE LOCK PLATE P/N: 1983667-1
  - 6 APPLICABLE PANEL THICKNESS: 1.2mm
  7. PRODUCT COMPLY WITH GLOW WIRE REQUIREMENTS FOR PARTS OF NON-METALLIC MATERIAL SUPPORTING A CURRENT-CARRYING CONNECTION DETAILED IN IEC 60335-1, SECTION 30 (GWT).



1000	3-1971884-1
500	1971884-1
PACKAGE QUANTITY(PCS)	PART NO.

THIS DRAWING IS A CONTROLLED DOCUMENT.		DWN: HAPYE_WU 15FEB2012	TE Connectivity	
DIMENSIONS: mm		CHK: HAPYE_WU 15FEB2012	NAME: 6P HOUSING(HIGH VOLTAGE) MULTI 6P CONNECTOR	
TOLERANCES UNLESS OTHERWISE SPECIFIED: 0 PLC ± 1 PLC ±0.30 2 PLC ± 3 PLC ± 4 PLC ± ANGLES ±2°		APVD: ERIC KONG 15FEB2012	PRODUCT SPEC: 108-106071	
MATERIAL: FINISH:		APPLICATION SPEC: 114-106071	RESTRICTED TO: A1	
		WEIGHT:	SCALE: 4:1 SHEET 1 OF 1 REV B	
		CUSTOMER DRAWING	SIZE: CAGE CODE: DRAWING NO: 00779 C=1971884	