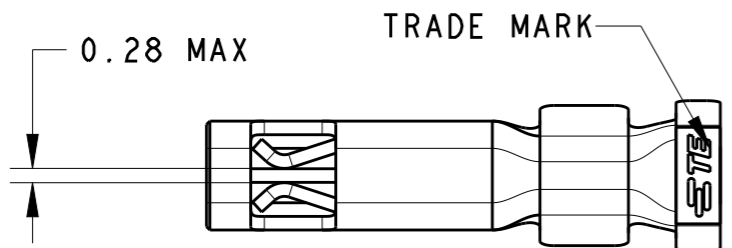
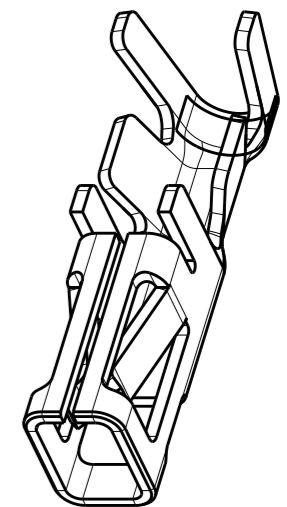
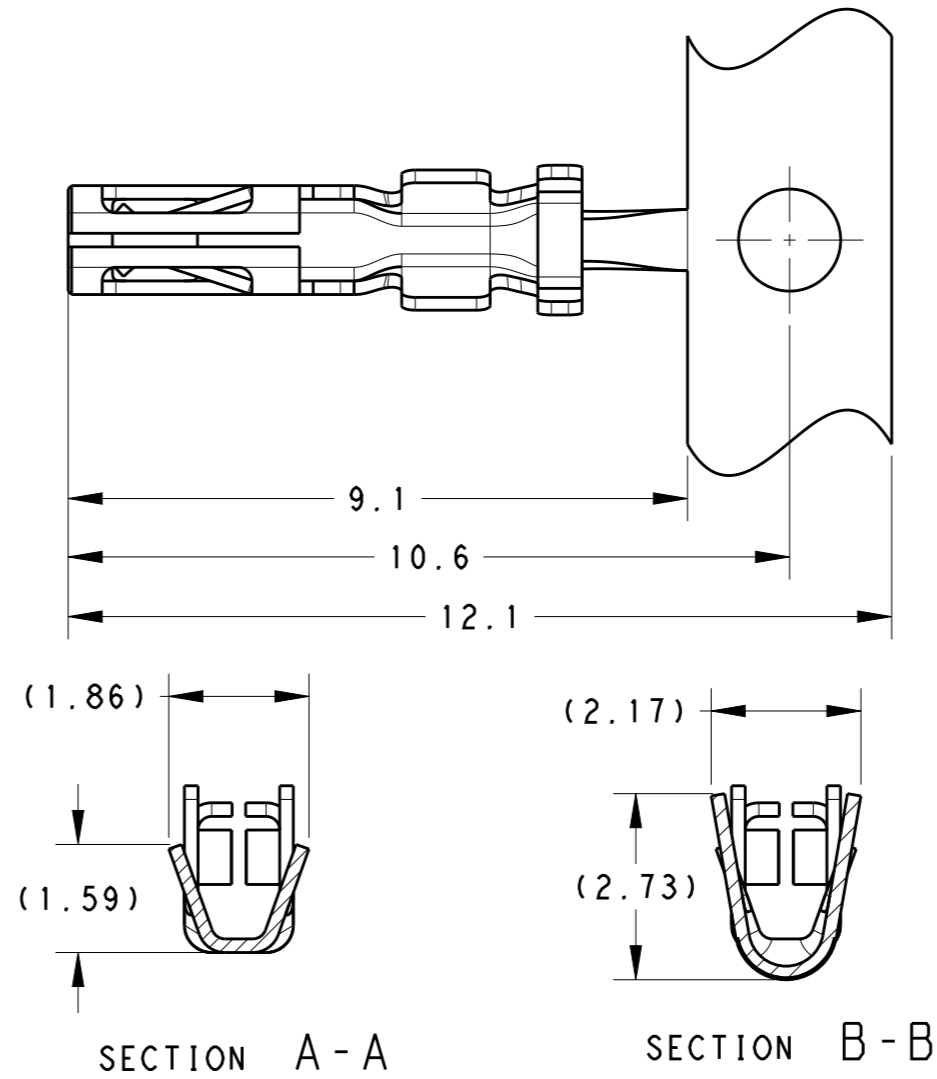
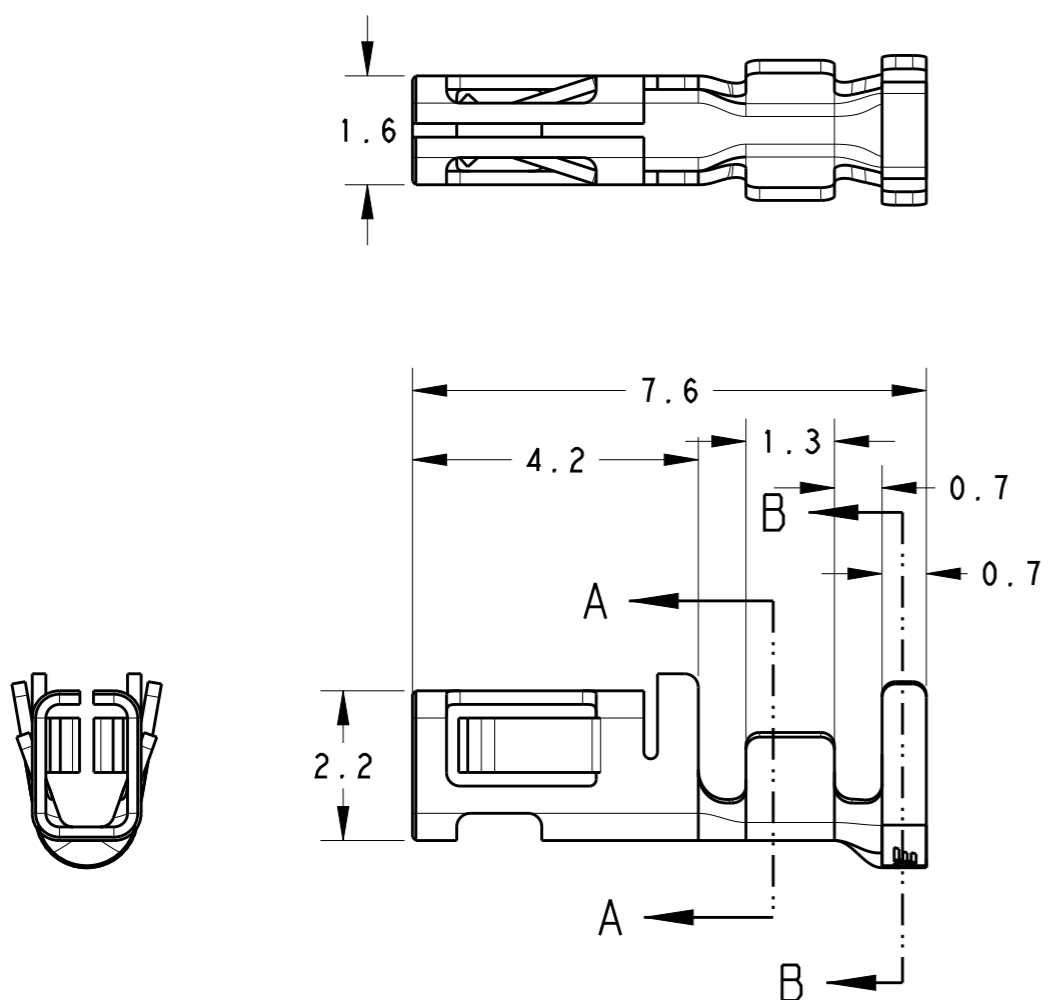


THIS DRAWING IS UNPUBLISHED. RELEASED FOR PUBLICATION
 © COPYRIGHT - BY - TE CONNECTIVITY ALL RIGHTS RESERVED.

LOC	DIST	REVISIONS			
P	LTR	DESCRIPTION	DATE	DWN	APVD
-	-	A4	REVISED PER ECR-20-100273	13AUG2020	C.X D.Z



1. APPLICABLE PLUG HOUSING P/N: X-1971793-X

AWG#22~#28 0.079~0.38MM^2	1.08~1.50	PRE-TIN COPPER ALLOY	7	1971795-1
WIRE RANGE	INSULATION DIA	MATERIAL	APPL FEED	PART NO.

THIS DRAWING IS A CONTROLLED DOCUMENT.		DWN HAI JUN ZHANG FEB 21, 2012	TE Connectivity	
DIMENSIONS: mm		CHK HAI JUN ZHANG FEB 21, 2012		
TOLERANCES UNLESS OTHERWISE SPECIFIED:		APVD ERIC KONG FEB 23, 2012	NAME RECEPTACLE CONTACT, 2.5 PITCH NEXT GENERATION GI CONNECTOR	
0 PLC ±- 1 PLC ±0.3 2 PLC ±0.1 3 PLC ±- 4 PLC ±- ANGLES ±- FINISH -		PRODUCT SPEC 108-106077	RESTRICTED TO	
MATERIAL SEE TABLE		APPLICATION SPEC 114-106077	SIZE A3	CAGE CODE -
		WEIGHT 0.056g	DRAWING NO C-1971795	
		CUSTOMER DRAWING	SCALE 9:1	SHEET 1 OF 1
				REV A4