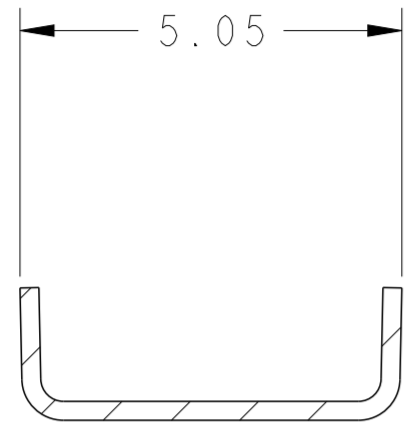


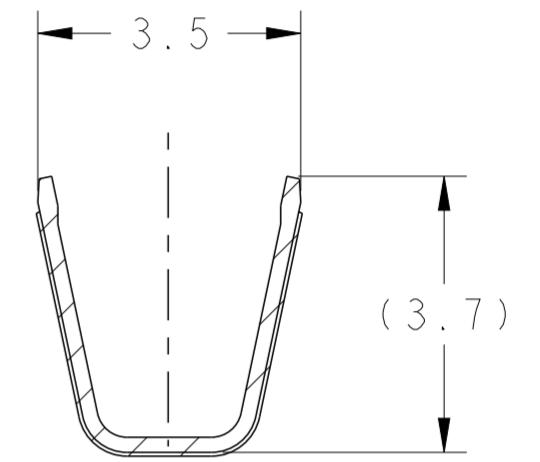
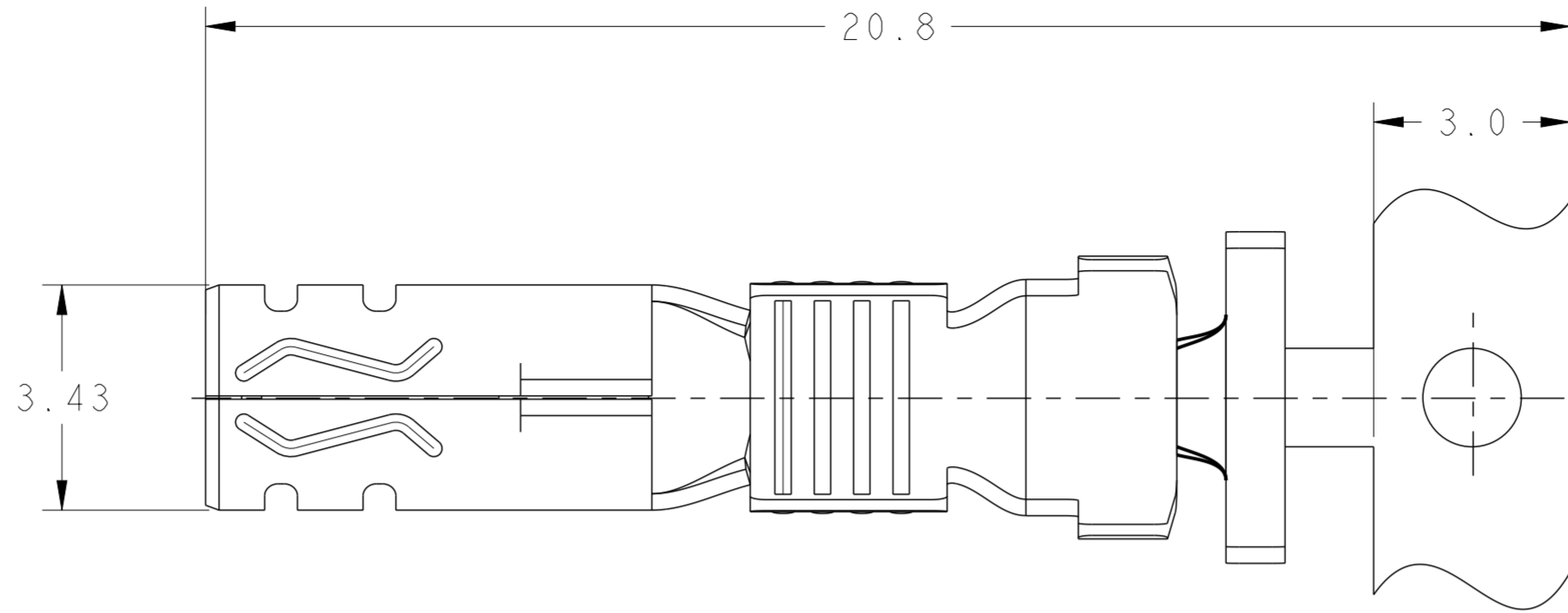
THIS DRAWING IS UNPUBLISHED. RELEASED FOR PUBLICATION 20
 © COPYRIGHT 20 BY - ALL RIGHTS RESERVED.

LOC ES DIST 00

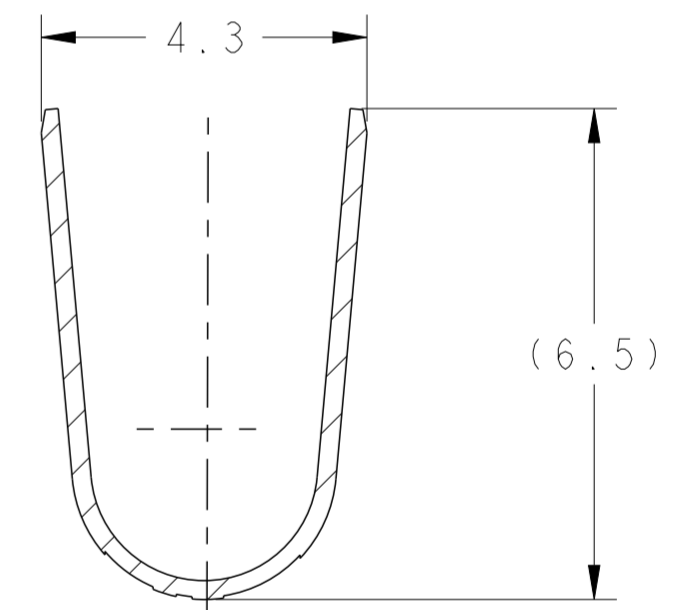
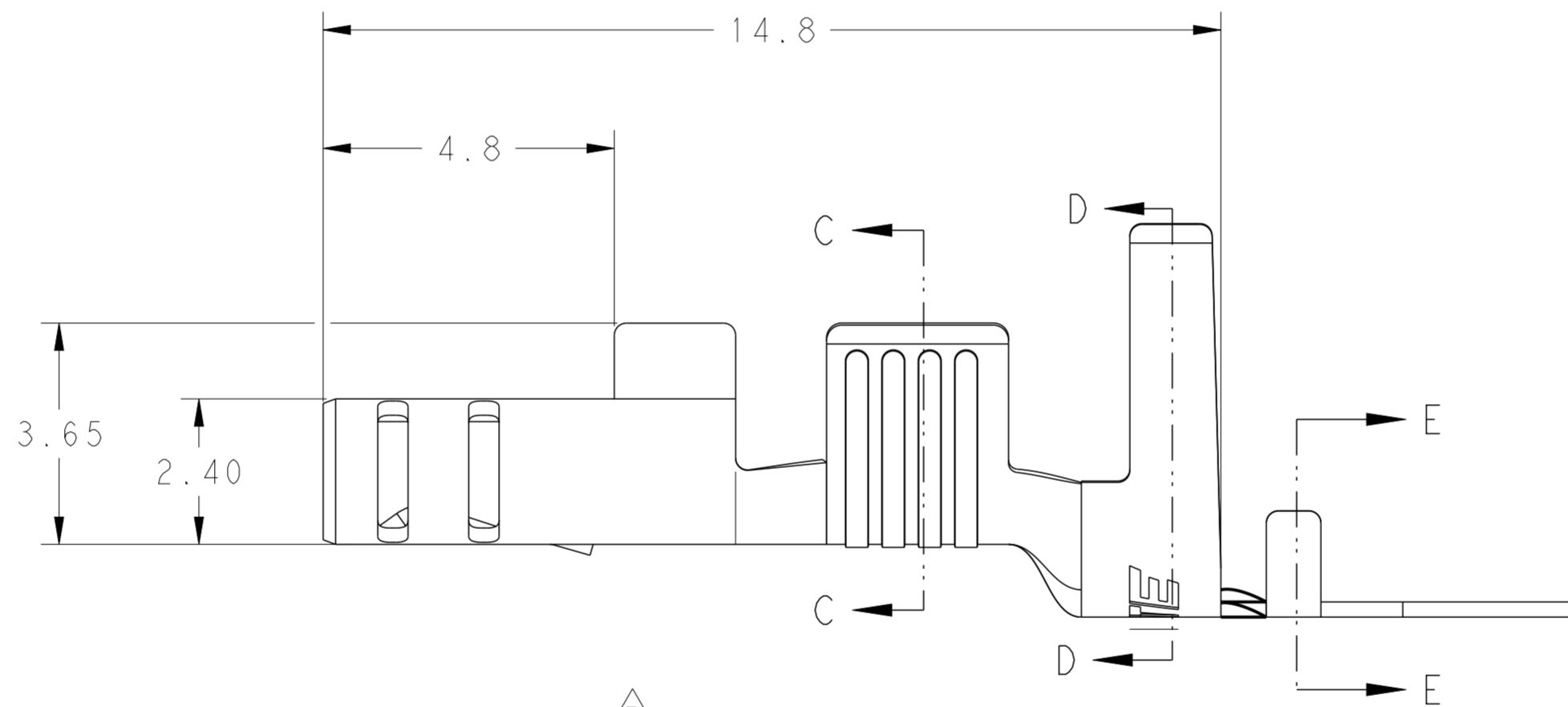
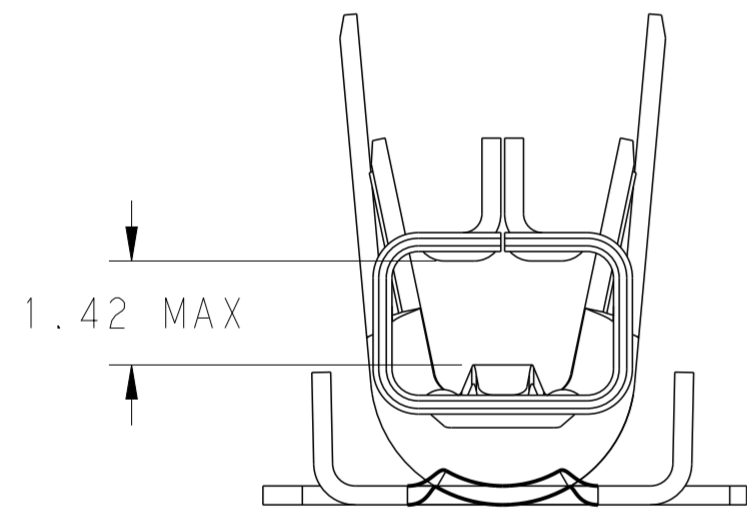
| REVISIONS | | | | | |
|-----------|-----|---------------------------|-----------|-----|------|
| P | LTR | DESCRIPTION | DATE | DWN | APVD |
| | E | REVISED PER ECO-18-017197 | 30NOV2018 | RS | GJ |
| | E1 | REVISED PER ECR-20-100297 | 10AUG2020 | PJ | VS |
| | F | REVISED PER ECR-23-182543 | 27JUL2023 | SKR | DS |



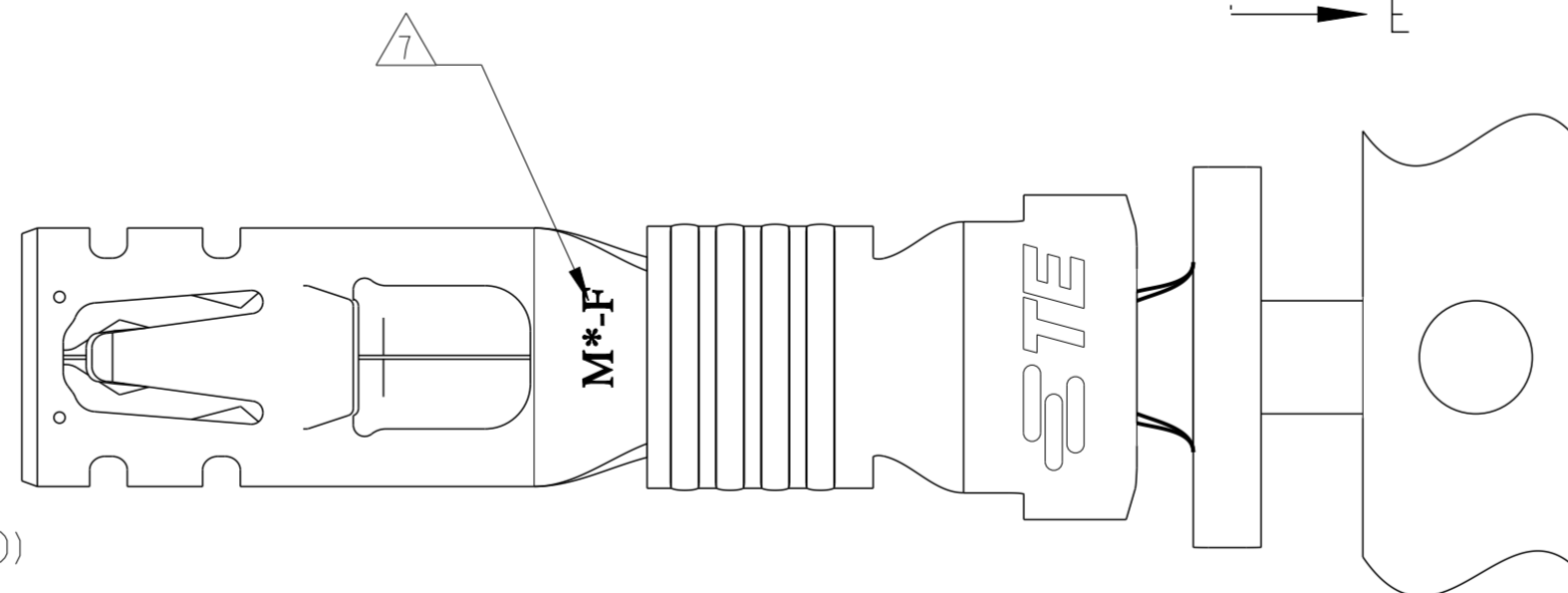
SECTION E-E



SECTION C-C



SECTION D-D



- 1 MATERIAL: COPPER ALLOY, PRE TIN PLATING.
- 2 APPLICABLE MATED PLUG HOUSING P/N:
-1971773-/*-1971776-*/*-1971876-*/
/*-2232265-*/*-2232266-*/*-2232357-*
- 3 RECOMMENDED WIRE RANGE: 2x18 AWG (TOTAL CMA 3160-3600)
COPPER STRANDED
- 4 APPLICABLE INSULATION DIAMETER: 2.5-3.1 mm EACH WIRE
- 5 THIS PRODUCT HAS NOT COMPLETED VALIDATION TESTING.

△6 SUPERSEDED BY 1971787-2

△7 WIRE DESIGNATION "F"=2x18 AWG

| | | |
|-----------------|---------------|------------|
| HIGH(150°C) | M0-F | 1971787-2 |
| STANDARD(105°C) | M4 | 1971787-1 |
| TEMP. RATING | MAT/SIZE MARK | △7 PART NO |

| | | | | |
|--|--|------------------------------|--------------------|--------------|
| THIS DRAWING IS A CONTROLLED DOCUMENT. | | DWN TOMMY WU 11 JUL 2012 | TE Connectivity | |
| DIMENSIONS: mm | | CHK HAPYE WU 11 JUL 2012 | | |
| TOLERANCES UNLESS OTHERWISE SPECIFIED: | | APVD YUHHONG MAO 11 JUL 2012 | NAME | |
| 0 PLC ± | | PRODUCT SPEC | RECEPTACLE CONTACT | |
| 1 PLC ±0.5 | | APPLICATION SPEC | POWER TRIPLE LOCK | |
| 2 PLC ±0.30 | | 108-106118 | SIZE | CAGE CODE |
| 3 PLC ± | | 114-106118 | DRAWING NO | |
| 4 PLC ± | | WEIGHT | RESTRICTED TO | |
| ANGLES ± | | - | A200779C-1971787 | |
| FINISH | | Customer Drawing | SCALE 5:1 | SHEET 1 OF 1 |
| | | | | REV F |