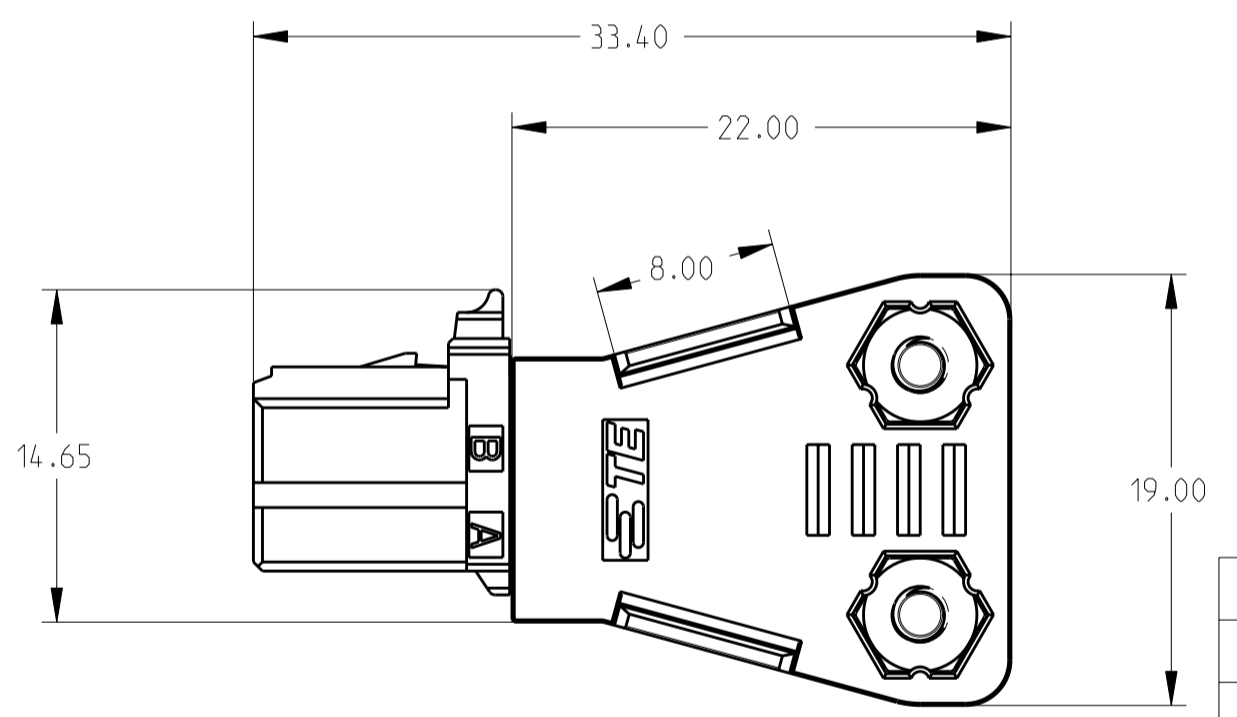
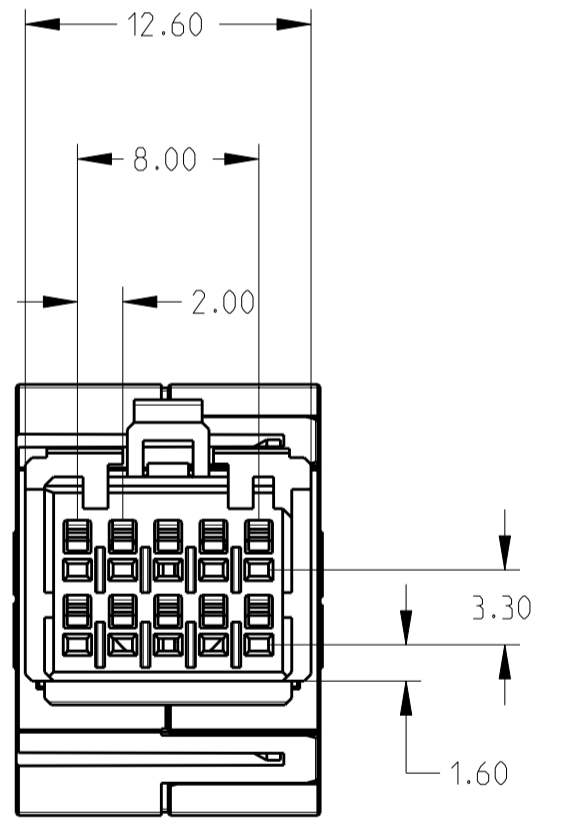
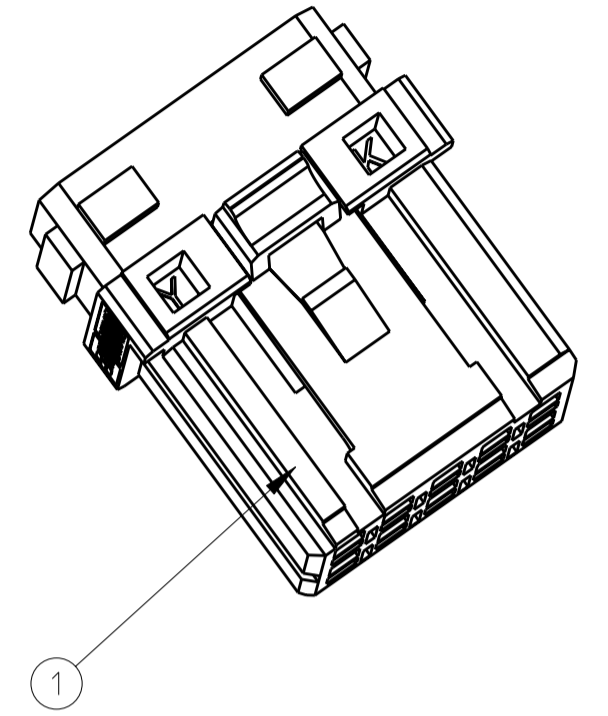
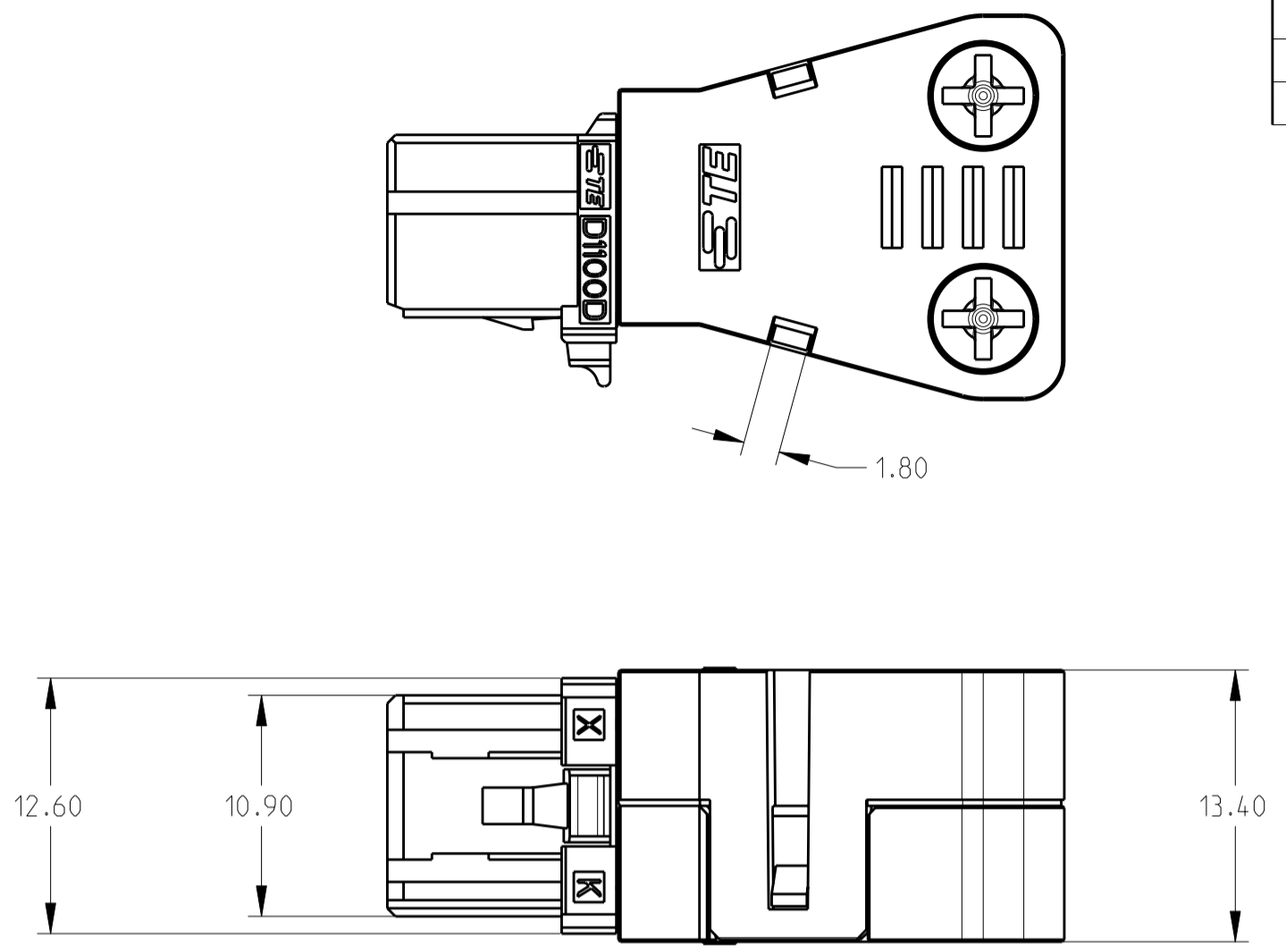
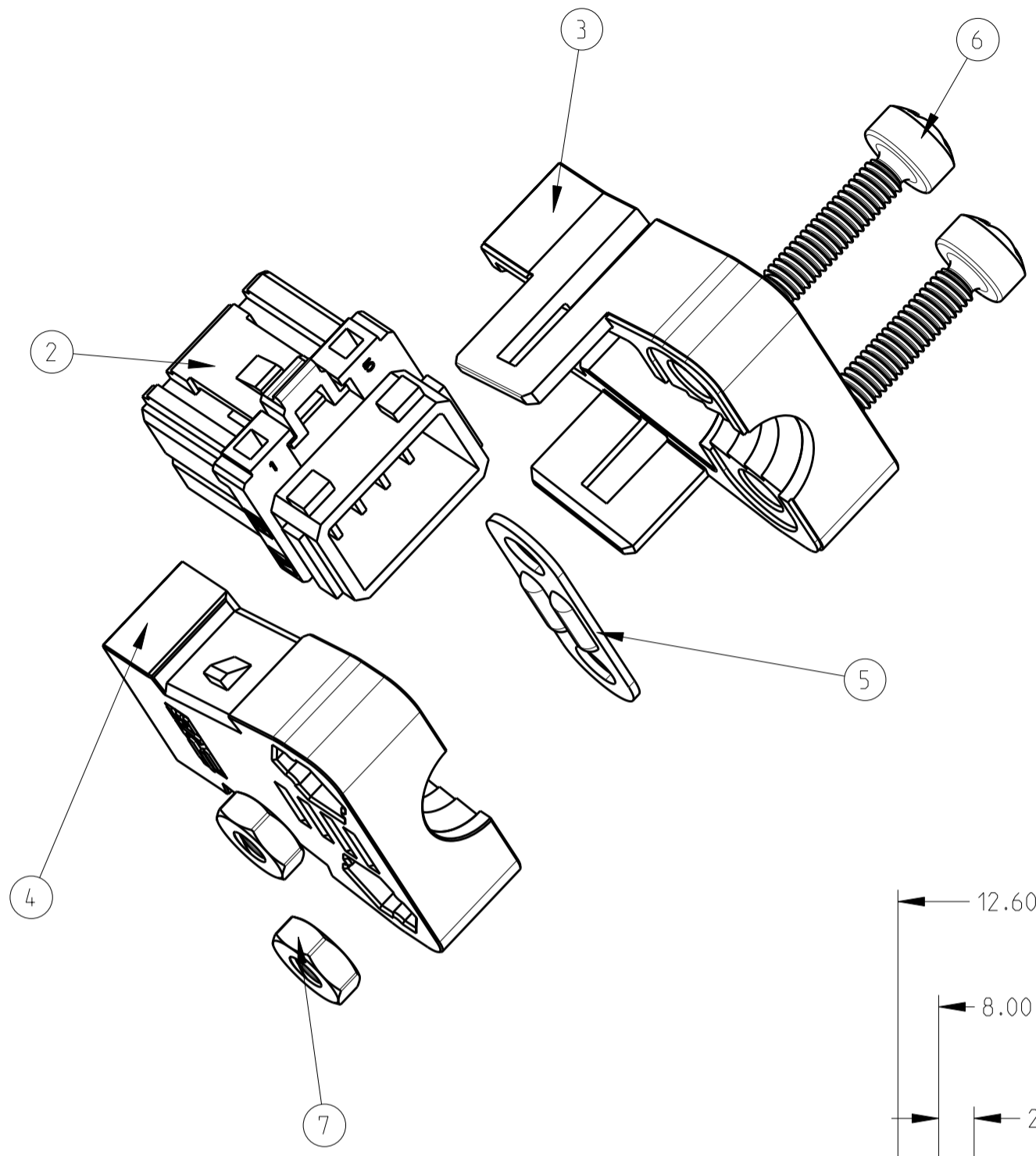


THIS DRAWING IS UNPUBLISHED. RELEASED FOR PUBLICATION 20
 © COPYRIGHT 20 BY TYCO ELECTRONICS CORPORATION. ALL INTERNATIONAL RIGHTS RESERVED.

LOC		DIST		REVISIONS			
P	LTR	DESCRIPTION	DATE	DWN	APVD		
	A	RELEASED	15OCT2009	LL	JZ		
	B	ECR-11-008625	25APR2011	LL	SL		



QTY	REQD	PER	ASSY	MATERIAL	DESCRIPTION	ITEM NO.
2	2	2	2	STEEL	NUT	7
2	2	2	2	STEEL	SCREW	6
1	-	1	-	STAINLESS STEEL	CABLE CLAMP	5
1	1	1	1	GLASS FILED THERMO PLASTIC POLYESTER(94V-0), BLACK	LOW CABLE HOOD	4
1	1	1	1	GLASS FILED THERMO PLASTIC POLYESTER(94V-0), BLACK	UP CABLE HOOD	3
-	-	1	1	GLASS FILED PBT (94V-0), BLACK	REC HSG(X-KEY)	2
1	1	-	-	GLASS FILED PBT (94V-0), BLACK	REC HSG(Y-KEY)	1
-4	-3	-2	-1	MATERIAL.FINISH	DESCRIPTION	ITEM NO.
REVISION OF EACH ASSY NO. (WHEN BLANK, USE DWG. REVISION)						
QTY REQD PER ASSY				PARTS LIST		

NOTE:

- GENERAL TOLERANCE: $\pm 0.3, \pm 3^\circ$.
- THE SHAPE, SIZE AND POSITION OF THE CHARACTER SHOW THE OUTLINE. THEY DON'T SHOW DETAILS.
- 1,-3 IS USED FOR 6.8mm DIAMETER CABLE
-2,-4 IS USED FOR 4.6mm & 4.4mm DIAMETER CABLE.

THIS DRAWING IS A CONTROLLED DOCUMENT FOR TYCO ELECTRONICS CORPORATION. IT IS SUBJECT TO CHANGE AND THE CONTROLLING ENGINEERING ORGANIZATION SHOULD BE CONTACTED FOR THE LATEST REVISION.

DWN	LEO LIU	05AUG2009	TE Connectivity Shanghai, China 200233
CHK	ROCK LV	05AUG2009	
APVD	JULIAN ZHOU	05AUG2009	
NAME	KIT ASSEMBLY		
PRODUCT SPEC	108-106051		RESTRICTED TO
APPLICATION SPEC	114-5377		SIZE
WEIGHT	-		CAGE CODE
CUSTOMER DRAWING	SCALE 3:1		DRAWING NO
	SHEET 1 OF 1		REV B