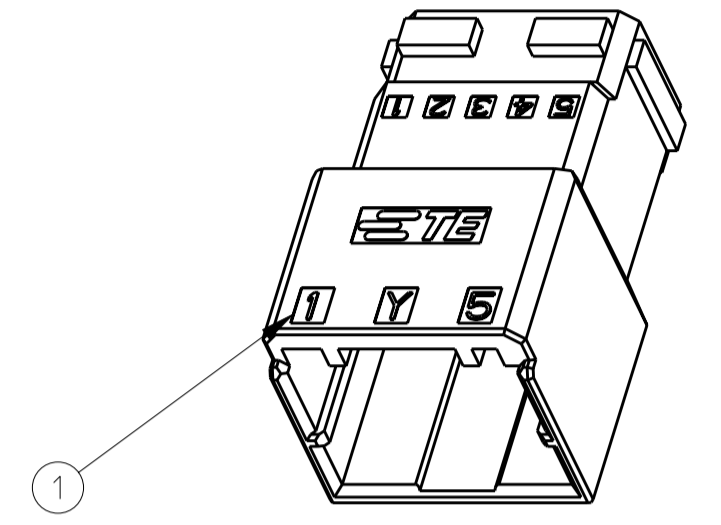
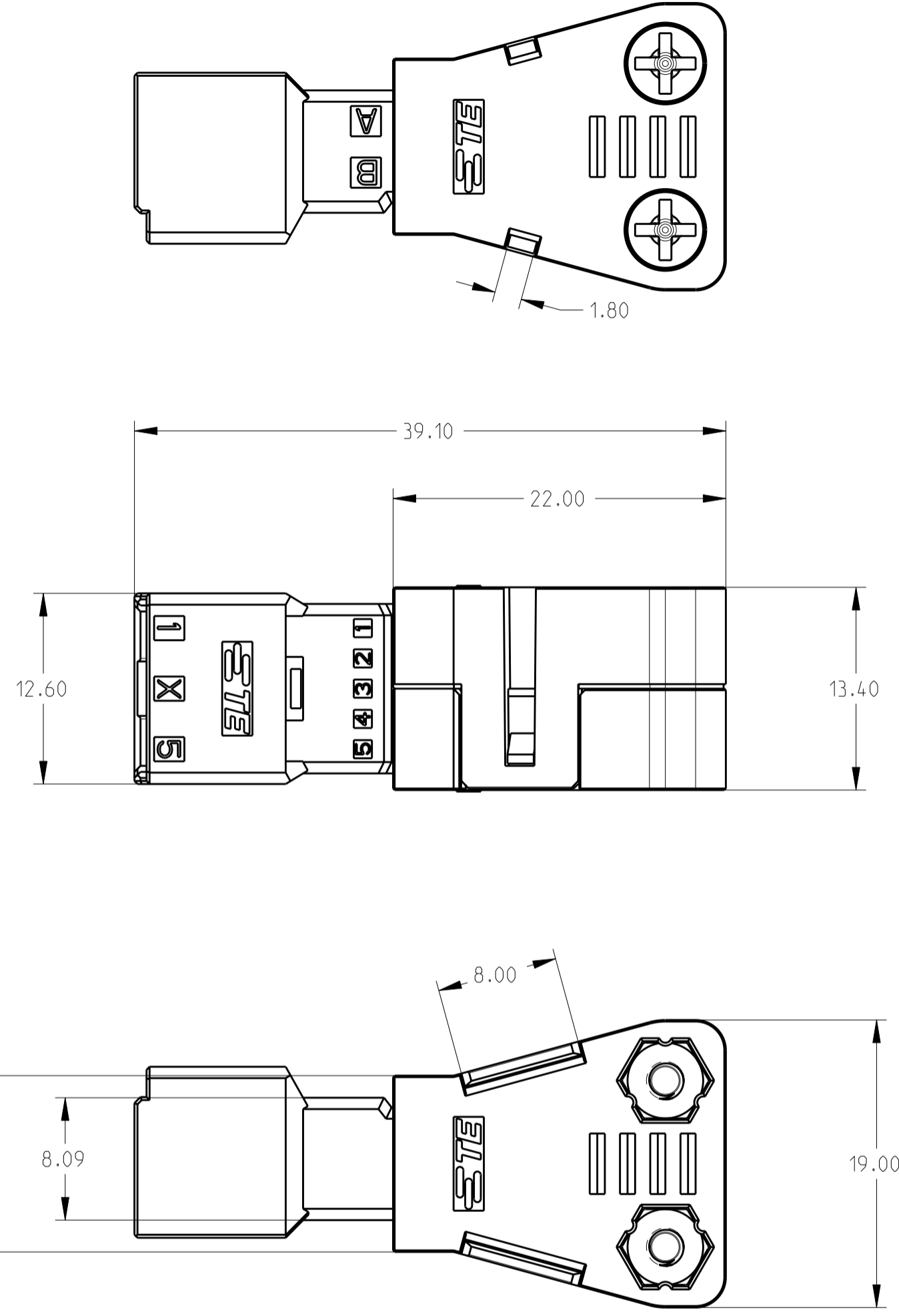
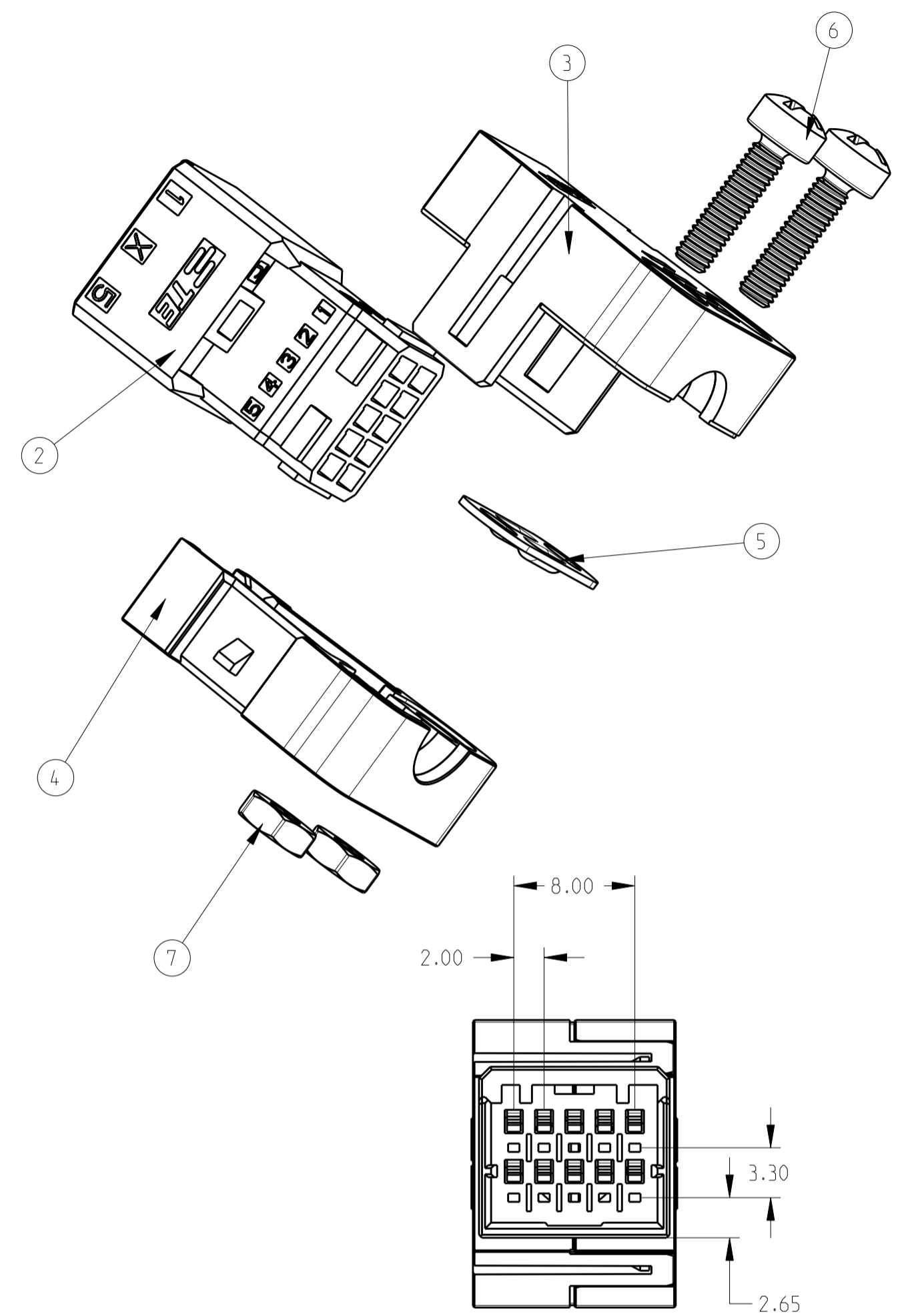


THIS DRAWING IS UNPUBLISHED. RELEASED FOR PUBLICATION 20
 © COPYRIGHT 20 BY TYCO ELECTRONICS CORPORATION. ALL INTERNATIONAL RIGHTS RESERVED.

LOC	DIST	REVISIONS			
P	LTR	DESCRIPTION	DATE	DWN	APVD
ES	00				
	A	RELEASED	15OCT2009	LL	JZ
	B	ECR-11-008625	25APR2011	LL	SL



- NOTE:
- GENERAL TOLERANCE: $\pm 0.3, \pm 3^\circ$.
 - THE SHAPE, SIZE AND POSITION OF THE CHARACTER SHOW THE OUTLINE. THEY DON'T SHOW DETAILS.
 - 1,-3 IS USED FOR 6.8mm DIAMETER CABLE
 -2,-4 IS USED FOR 4.6mm & 4.4mm DIAMETER CABLE.

QTY	REQD	PER	ASSY	MATERIAL	DESCRIPTION	ITEM NO.
2	2	2	2	STEEL	NUT	7
2	2	2	2	STEEL	SCREW	6
1	-	1	-	STAINLESS STEEL	CABLE CLAMP	5
1	1	1	1	GLASS FILED THERMO PLASTIC POLYESTER(94V-0), BLACK	LOW CABLE HOOD	4
1	1	1	1	GLASS FILED THERMO PLASTIC POLYESTER(94V-0), BLACK	UP CABLE HOOD	3
-	-	1	1	GLASS FILED PBT(94V-0), BLACK	TAB HSG(X-KEY)	2
1	1	-	-	GLASS FILED PBT(94V-0), BLACK	TAB HSG(Y-KEY)	1
-4	-3	-2	-1	MATERIAL.FINISH	DESCRIPTION	ITEM NO.
REVISION OF EACH ASSY NO. (WHEN BLANK, USE DWG. REVISION)						
QTY REQD PER ASSY				PARTS LIST		

THIS DRAWING IS A CONTROLLED DOCUMENT FOR TYCO ELECTRONICS CORPORATION. IT IS SUBJECT TO CHANGE AND THE CONTROLLING ENGINEERING ORGANIZATION SHOULD BE CONTACTED FOR THE LATEST REVISION.		DWN LEO LIU 5AUG2009	STE TE Connectivity Shanghai, China 200233
DIMENSIONS: mm		CHK ROCK LV 5AUG2009	
TOLERANCES UNLESS OTHERWISE SPECIFIED: 0 PLC $\pm .5$ 1 PLC $\pm .5$ 2 PLC ± 0.1 3 PLC ± 0.013 4 PLC ± 0.0001 ANGLES \pm FINISH		APVD JULIAN ZHOU 5AUG2009	NAME KIT ASSEMBLY D1100 TAB HSG 10P WITH CABLE CLAMP
MATERIAL		PRODUCT SPEC 108-106051	SIZE A2
		APPLICATION SPEC 114-5377	CAGE CODE 00779
		WEIGHT -	DRAWING NO 1971573
		CUSTOMER DRAWING	RESTRICTED TO -
		SCALE 3:1	SHEET 1 OF 1
			REV B