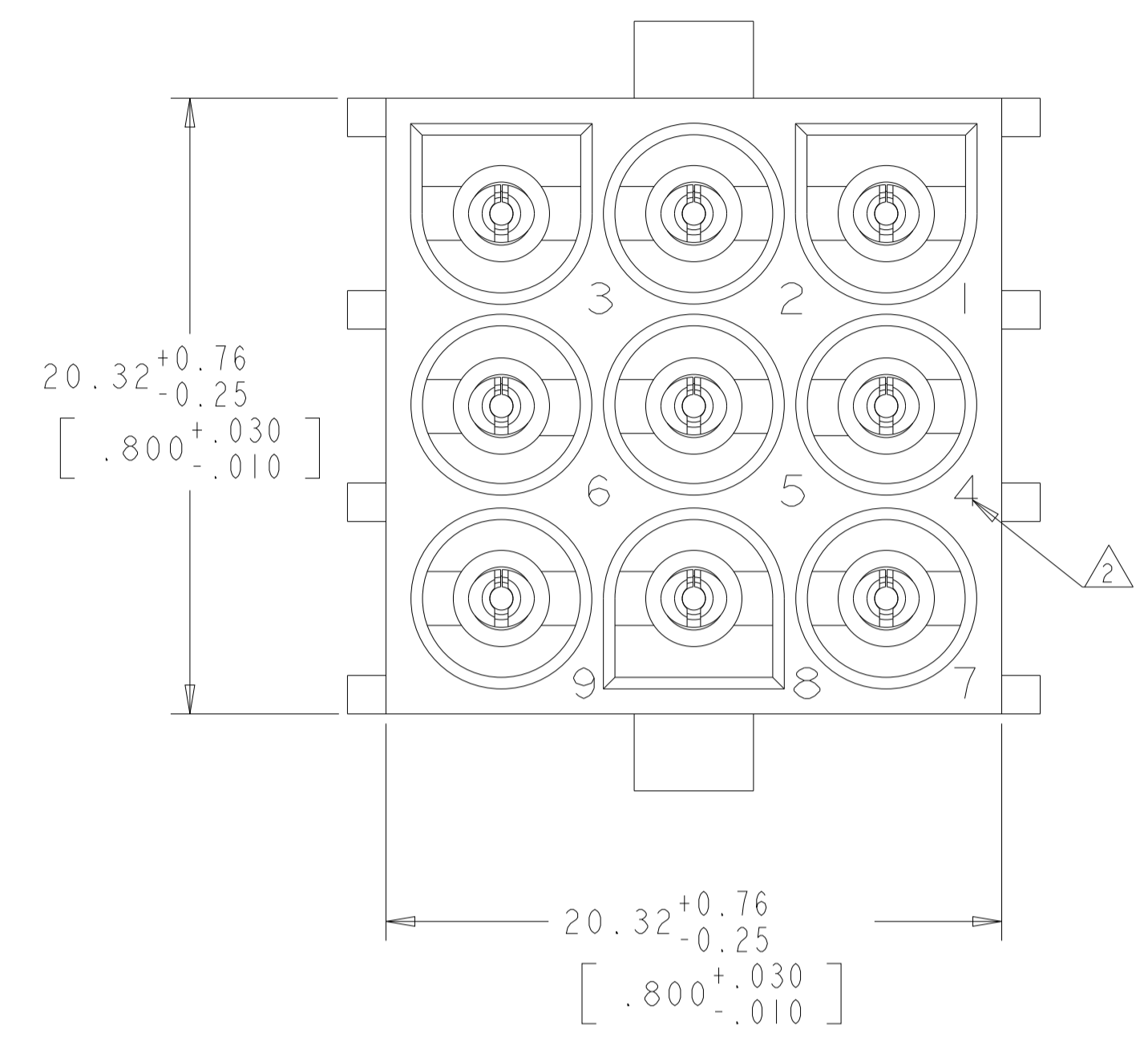
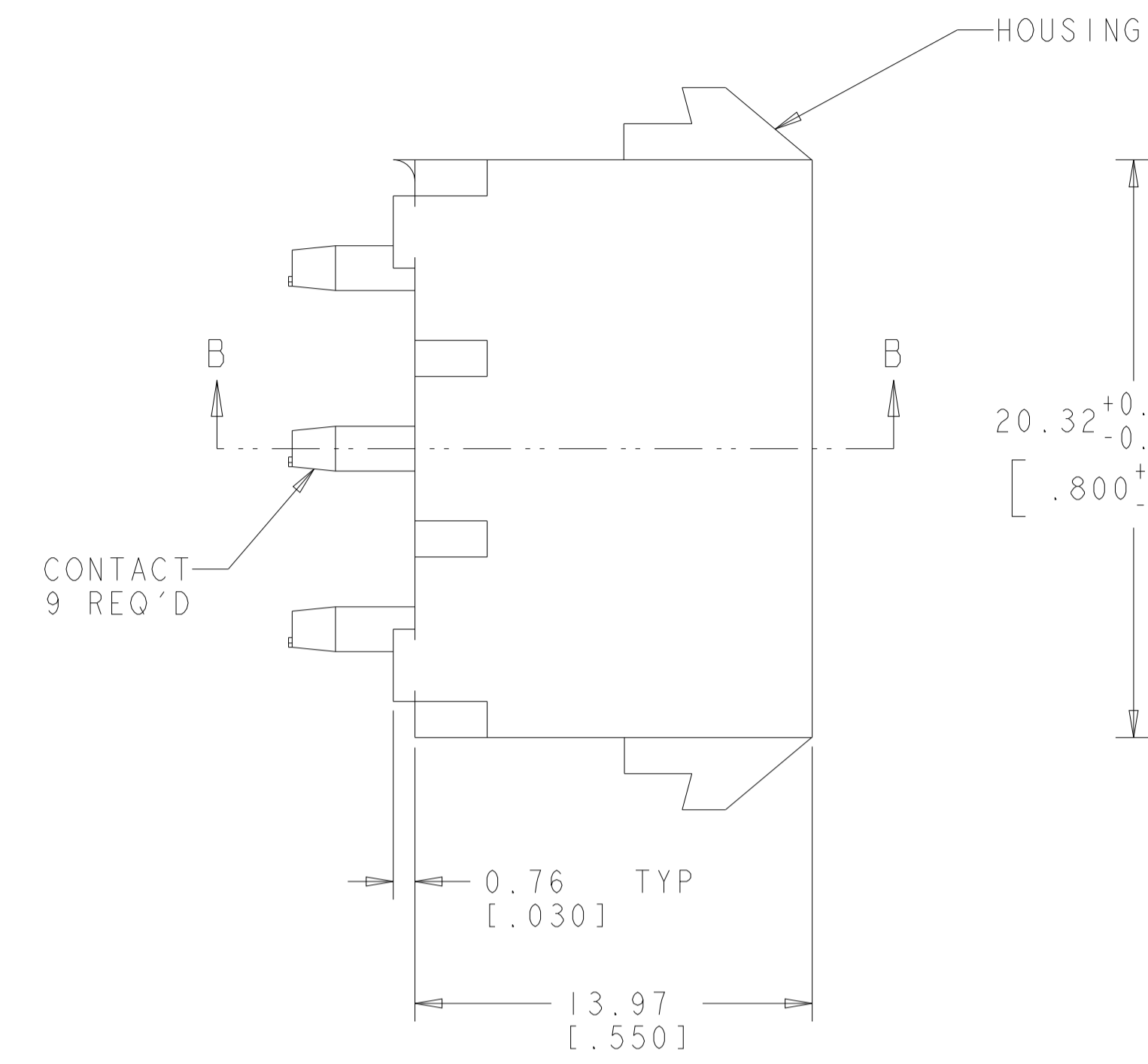
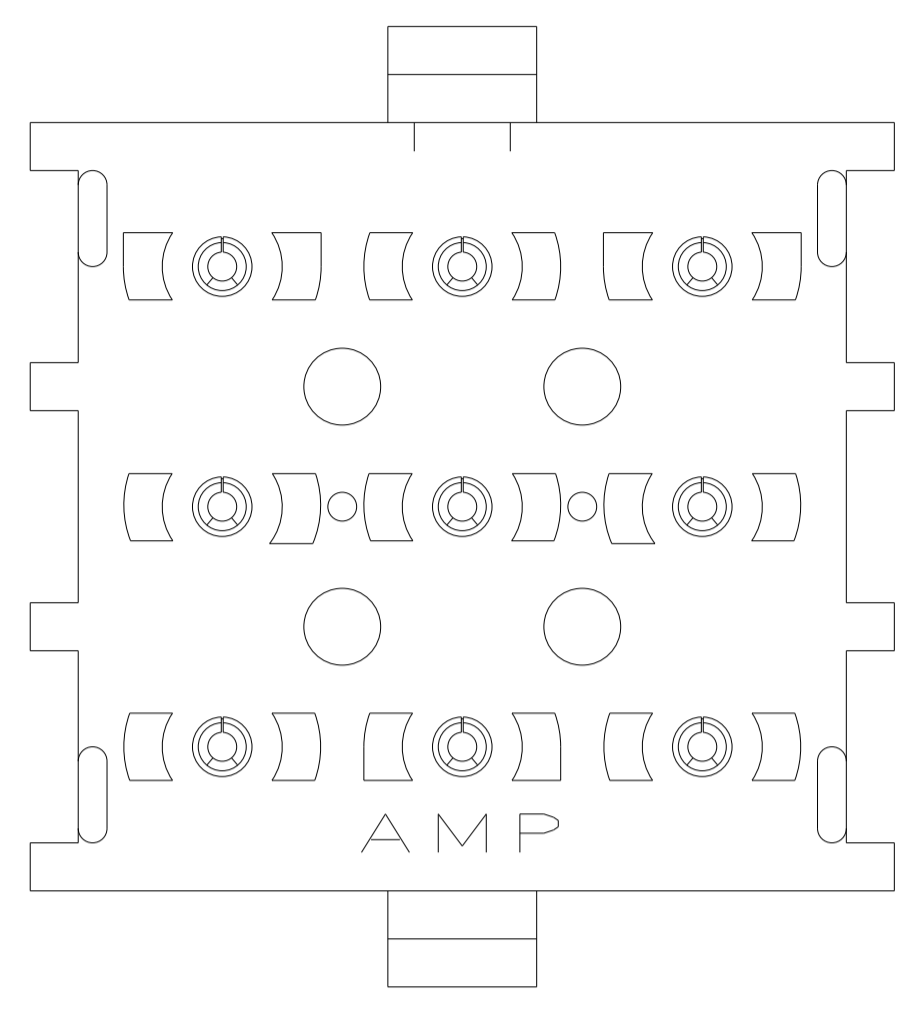
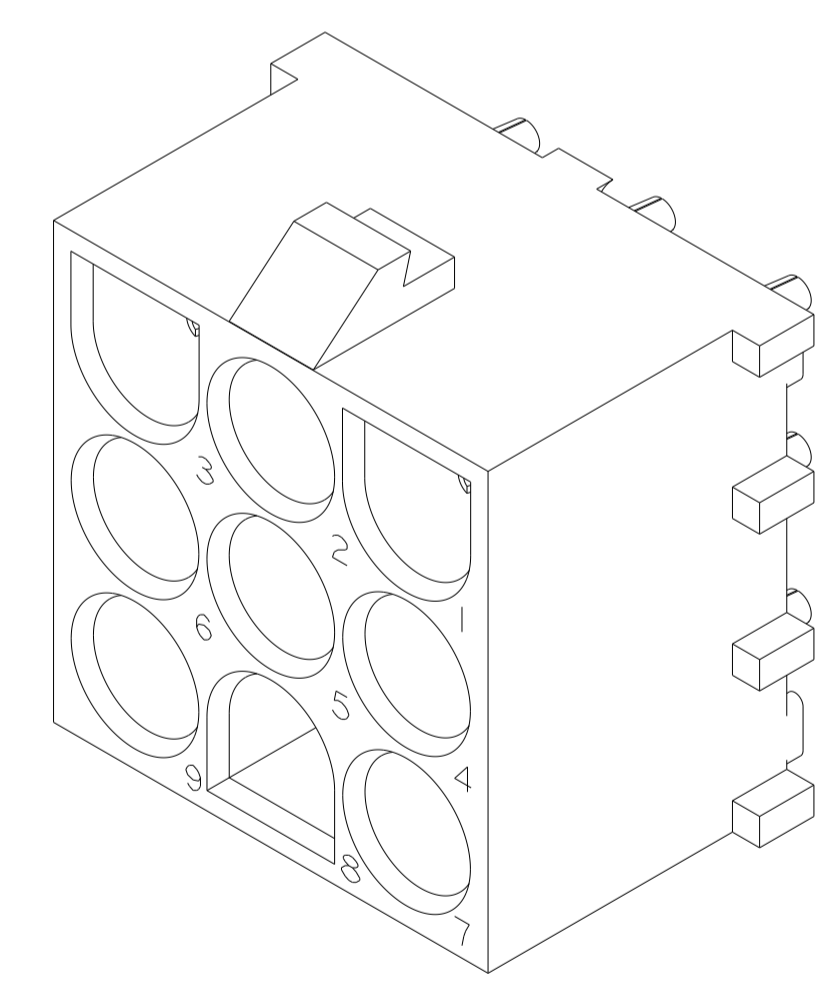
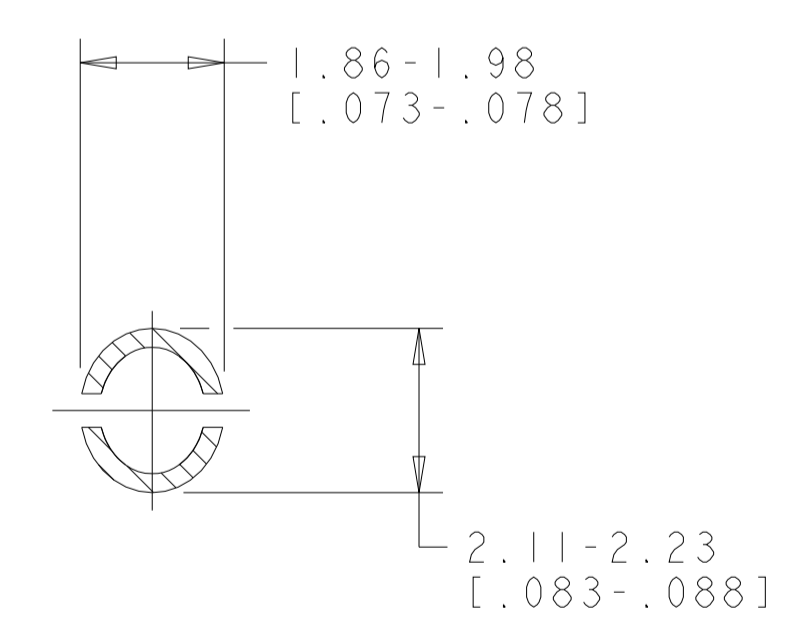
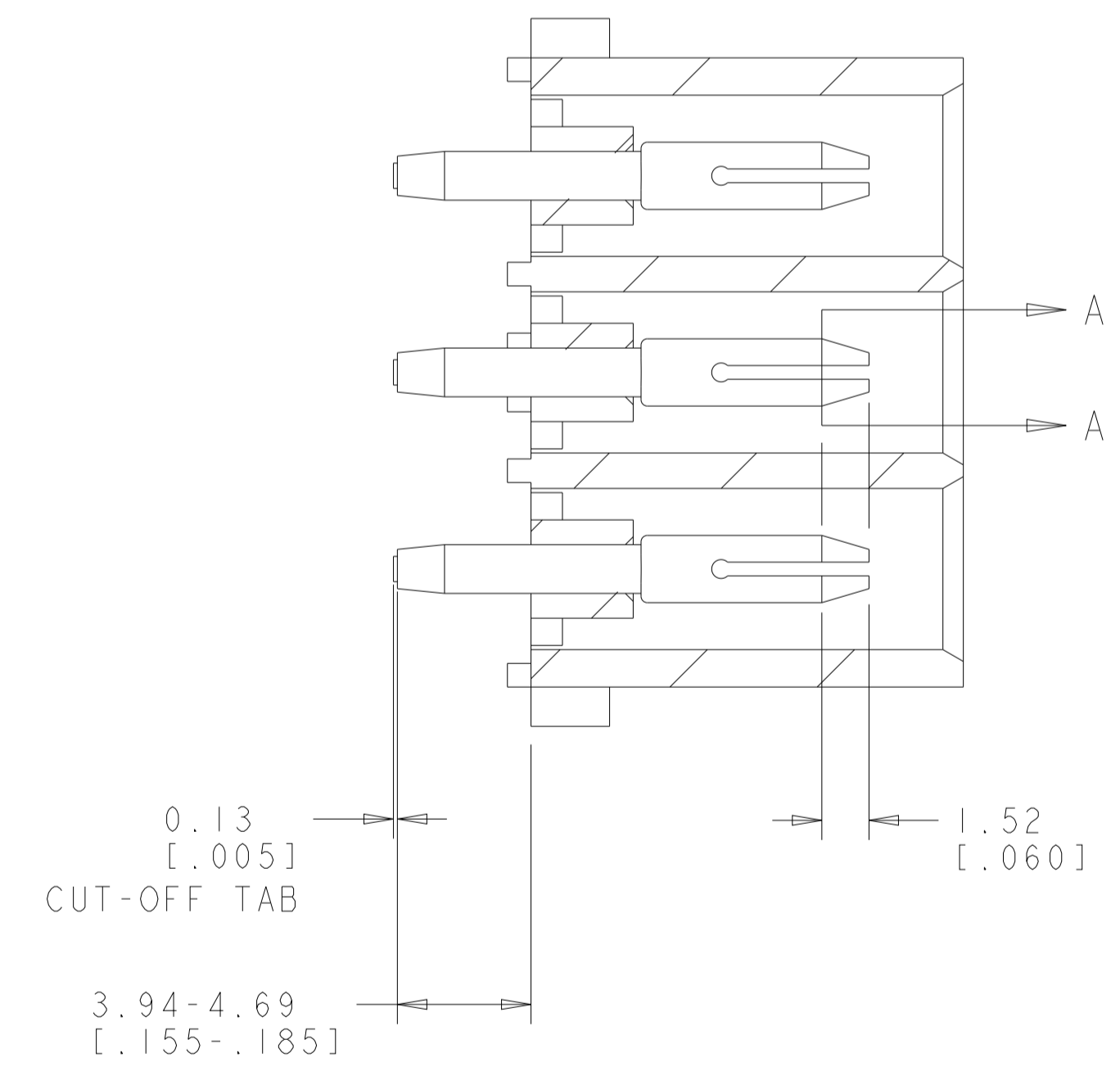


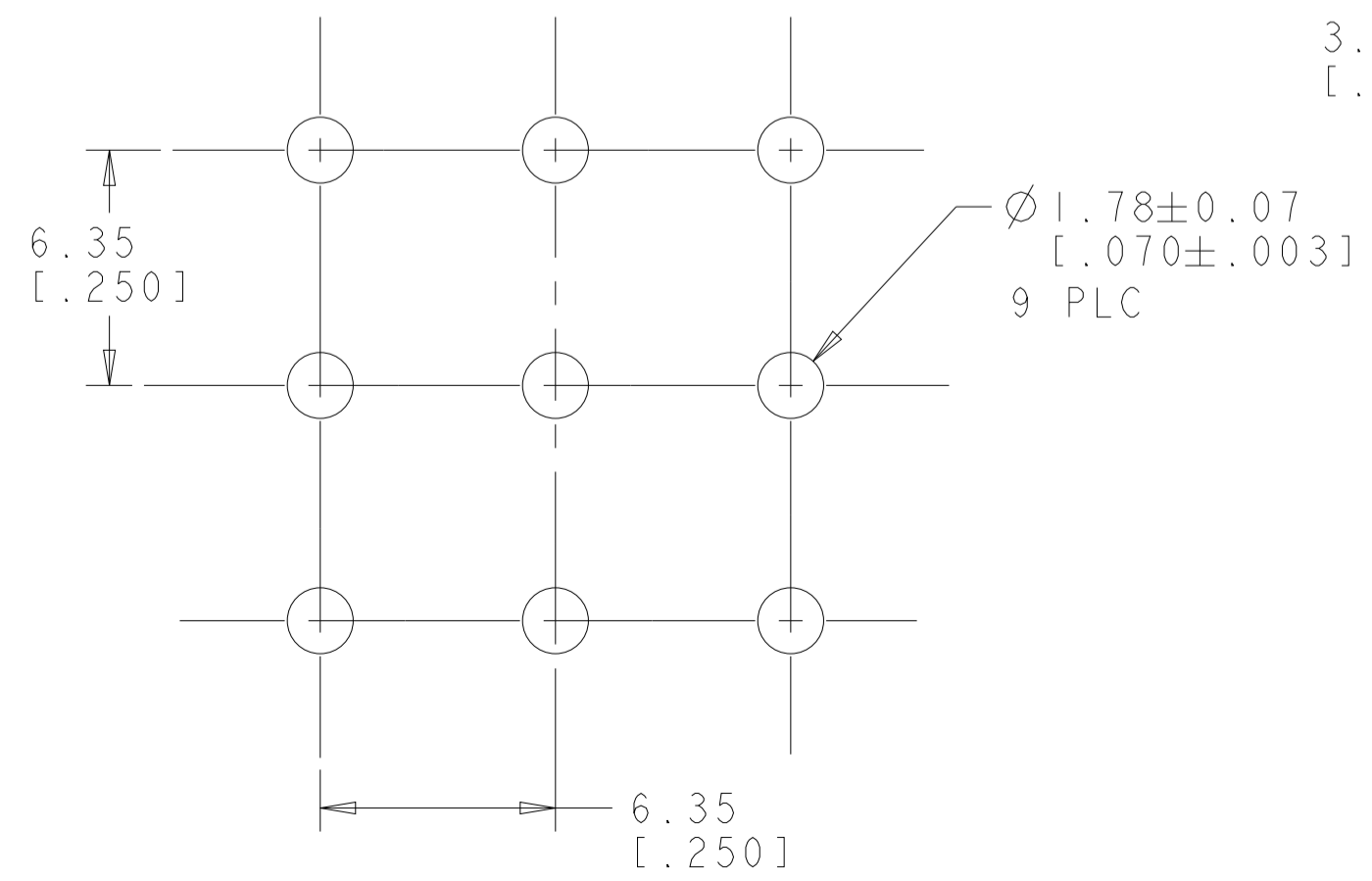
REVISIONS				
P	LTN	DESCRIPTION	DATE	APVD
A		REVISED PER ECR-16-002640	10MAR2016	BW EW
A1		REVISED PER ECR-21-119230	08NOV2021	SS VS



- PARTS COMPLY TO AMP SOLDERABILITY SPECIFICATION 109-11-3.
- CIRCUIT IDENTIFICATION CHARACTERS ARE ADJACENT TO THE INDICATED CAVITIES, BUT LOCATION AND ORIENTATION MAY DIFFER FROM PRINT.
- FLAMMABILITY UL V-0 FOR THICKNESS 0.4, 0.45, 0.8, 1.6, AND 3.0 PER IEC 60695-11-10.
- GLOW WIRE FLAMMABILITY (GWF1): 960°C FOR THICKNESS 0.45, 0.8, 1.6, AND 3.0 PER IEC 60695-2-12.
- GLOW WIRE IGNITION (GWIT): 825°C FOR THICKNESS 0.45, 800°C FOR THICKNESS 0.8, 775°C FOR THICKNESS 1.6 AND 3.0 PER IEC 60695-2-13.
- DIMENSIONS SHOWN REPRESENT PRODUCT IN DRY CONDITION. ADDITIONAL 2% GROWTH DUE TO END USE LOCATION MOISTURE ABSORPTION MAY OCCUR AND SHOULD BE ACCOUNTED FOR.



SCALE 4:1



RECOMMENDED MOUNTING HOLE PATTERN FOR 1.57 [.062] THICK P.C. BOARD

PHOSPOR BRONZE, PRE-TIN PIN CONTACT MATERIAL AND FINISH	NYLON, UL V-0 GW, NATURAL HOUSING MATERIAL AND COLOR	1969818-1 PART NUMBER												
THIS DRAWING IS A CONTROLLED DOCUMENT. DIMENSIONS: mm [INCHES] TOLERANCES UNLESS OTHERWISE SPECIFIED: 0 PLC ± 1 PLC ± 2 PLC ±0.131(.005) 3 PLC ± 4 PLC ± ANGLES ±0°30'		<table border="1"> <tr> <td>OWN: BASVESH WARAD 25DEC2015</td> <td>CHK: WICKES, EVAN 25DEC2015</td> <td>APVD: WICKES, EVAN 25DEC2015</td> </tr> <tr> <td colspan="3">NAME: PIN HEADER ASSEMBLY, 9 CIRCUIT, UNIVERSAL MATE-N-LOK(TM)</td> </tr> <tr> <td colspan="3">SIZE: A1 00779 C=1969818</td> </tr> <tr> <td colspan="3">CUSTOMER DRAWING</td> </tr> </table>	OWN: BASVESH WARAD 25DEC2015	CHK: WICKES, EVAN 25DEC2015	APVD: WICKES, EVAN 25DEC2015	NAME: PIN HEADER ASSEMBLY, 9 CIRCUIT, UNIVERSAL MATE-N-LOK(TM)			SIZE: A1 00779 C=1969818			CUSTOMER DRAWING		
OWN: BASVESH WARAD 25DEC2015	CHK: WICKES, EVAN 25DEC2015	APVD: WICKES, EVAN 25DEC2015												
NAME: PIN HEADER ASSEMBLY, 9 CIRCUIT, UNIVERSAL MATE-N-LOK(TM)														
SIZE: A1 00779 C=1969818														
CUSTOMER DRAWING														
MATERIAL: SEE TABLE		WEIGHT: -												
FINISH: SEE TABLE		RESTRICTED TO: -												
SCALE: 5:1		SHEET 1 OF 1 REV A1												