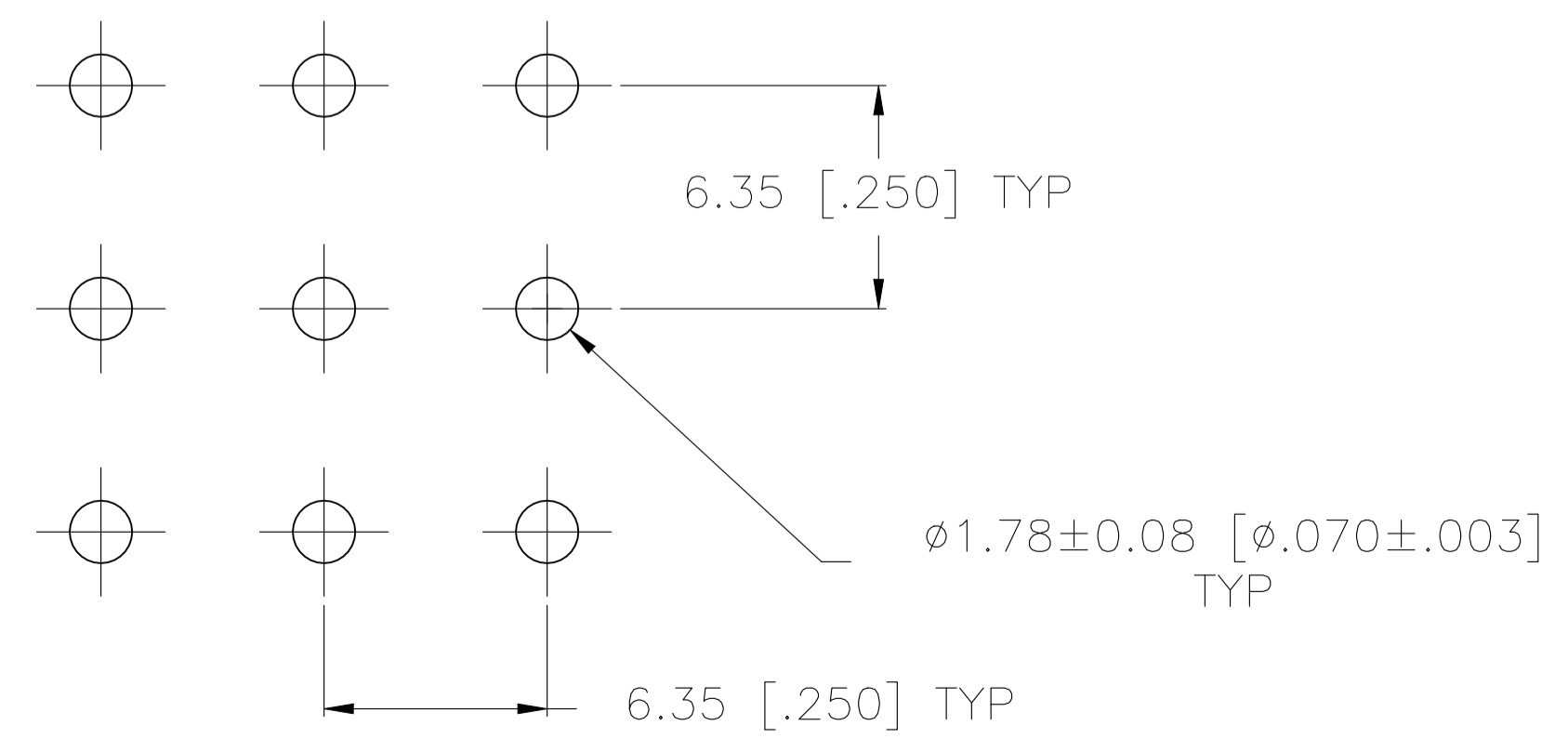
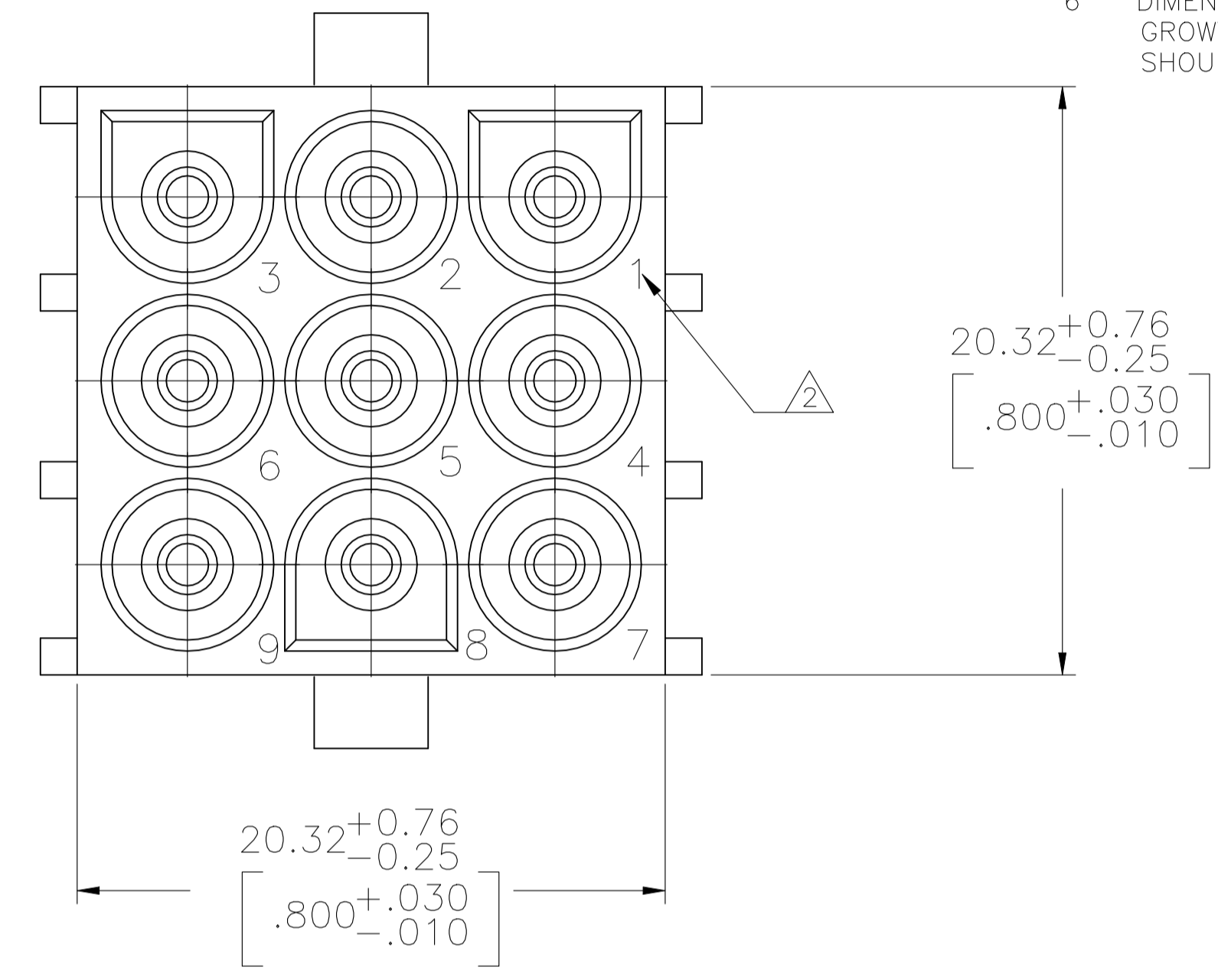
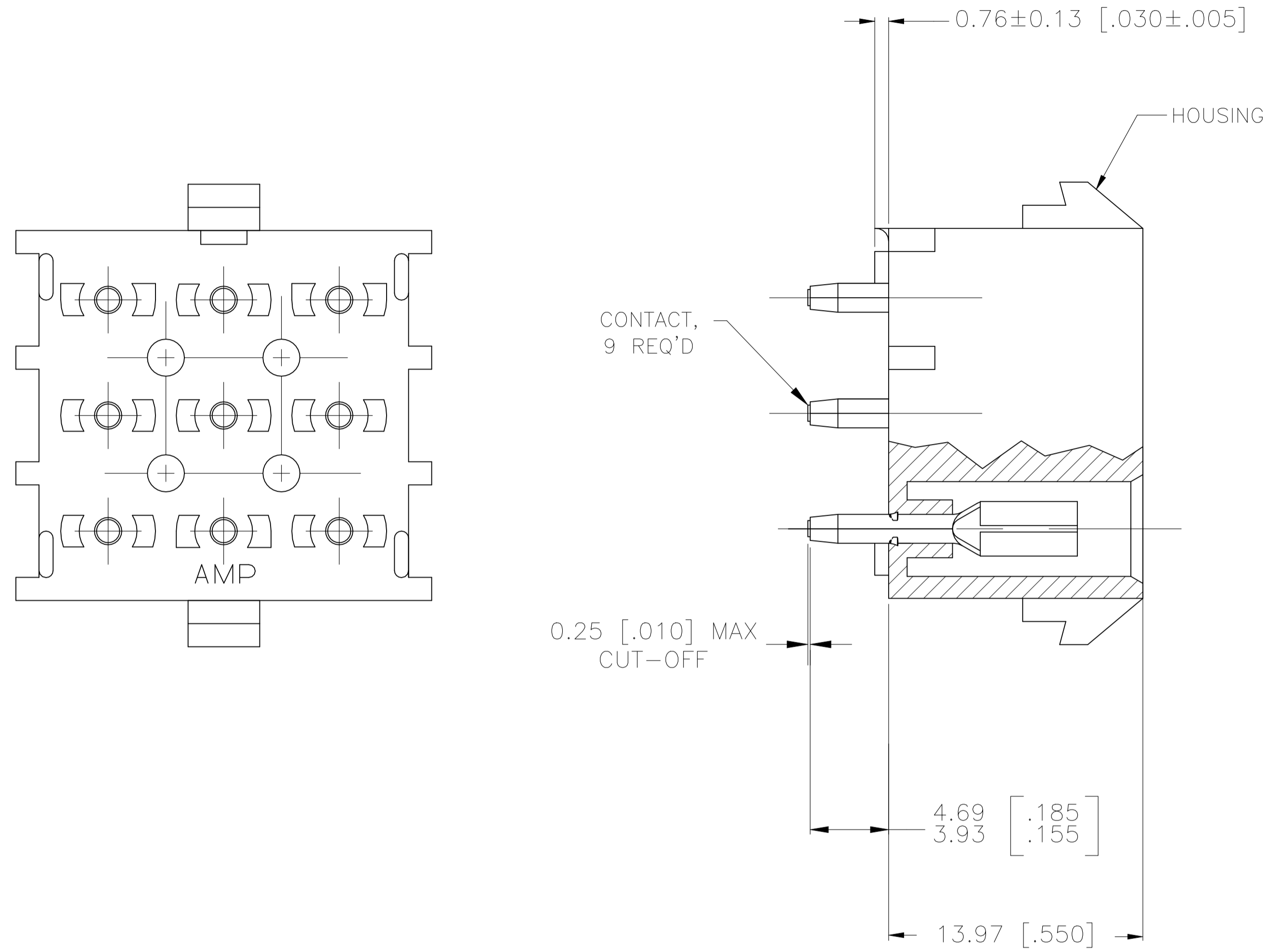


REVISIONS				
REV	DATE	DESCRIPTION	BY	APP'D
A1	02NOV2021	REVISED PER ECR-21-119230	SS	VS

- PARTS MUST COMPLY WITH AMP SOLDERABILITY SPEC 109-11-3.
- CIRCUIT IDENTIFICATION CHARACTERS ARE ADJACENT TO THE INDICATED CAVITIES, BUT LOCATION AND ORIENTATION MAY DIFFER FROM PRINT.
- FLAMMABILITY UL V-0 FOR THICKNESS 0.4, 0.45, 0.8, 1.6, AND 3.0 PER IEC 60695-11-10.
- GLOW WIRE FLAMMABILITY (GWFI): 960°C FOR THICKNESS 0.45, 0.8, 1.6, AND 3.0 PER IEC 60695-2-12.
- GLOW WIRE IGNITION (GWIT): 825°C FOR THICKNESS 0.45, 800°C FOR THICKNESS 0.8, 775°C FOR THICKNESS 1.6 AND 3.0 PER IEC 60695-2-13.
- DIMENSIONS SHOWN REPRESENT PRODUCT IN DRY CONDITION. ADDITIONAL 2% GROWTH DUE TO END USE LOCATION MOISTURE ABSORPTION MAY OCCUR AND SHOULD BE ACCOUNTED FOR.



RECOMMENDED LAYOUT FOR 1.58 [.062] THICK PC BOARD

PH BRZ TIN	NYLON, UL V-0 GW, NATURAL	1969817-1
CONTACT	HOUSING	PART NO

THIS DRAWING IS A CONTROLLED DOCUMENT.		DWN: RASVESH WARAD 26DEC2015 CHK: WICKES, EVAN 26DEC2015 APP'D: WICKES, EVAN 26DEC2015		NAME: 9 CIRCUIT UNIVERSAL MATE-N-LOK (TM) P.C. BOARD SOCKET HEADER ASSEMBLY	
DIMENSIONS: mm [INCHES]	TOLERANCES UNLESS OTHERWISE SPECIFIED:	APPLICATION SPEC	SIZE: A1	CAGE CODE: 00779	DRAWING NO: 1969817
0. PLC ± -	1. PLC ± -	RESTRICTED TO	WEIGHT: 0.000000	SCALE: 5:1	SHEET 1 OF 1
2. PLC ± -	3. PLC ± 0.13 [.005]	CUSTOMER DRAWING	REV: A1		
4. PLC ± -	ANGLES ± -				
MATERIAL: SEE TABLE	FINISH: SEE TABLE				