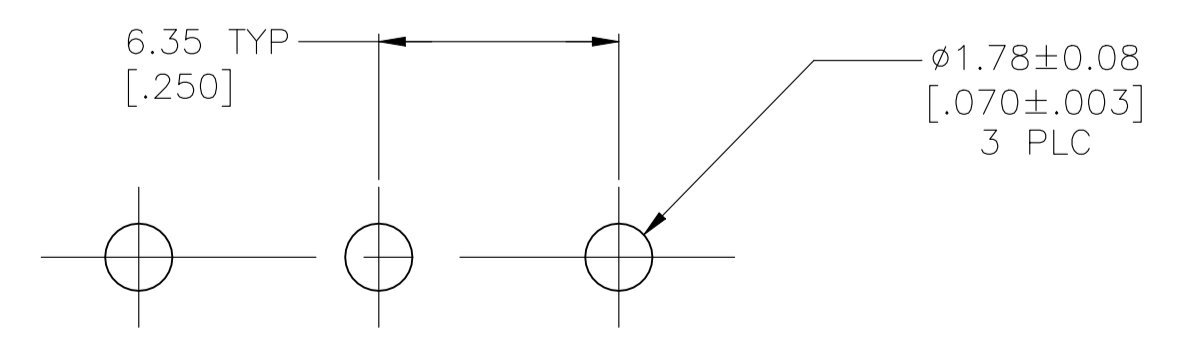
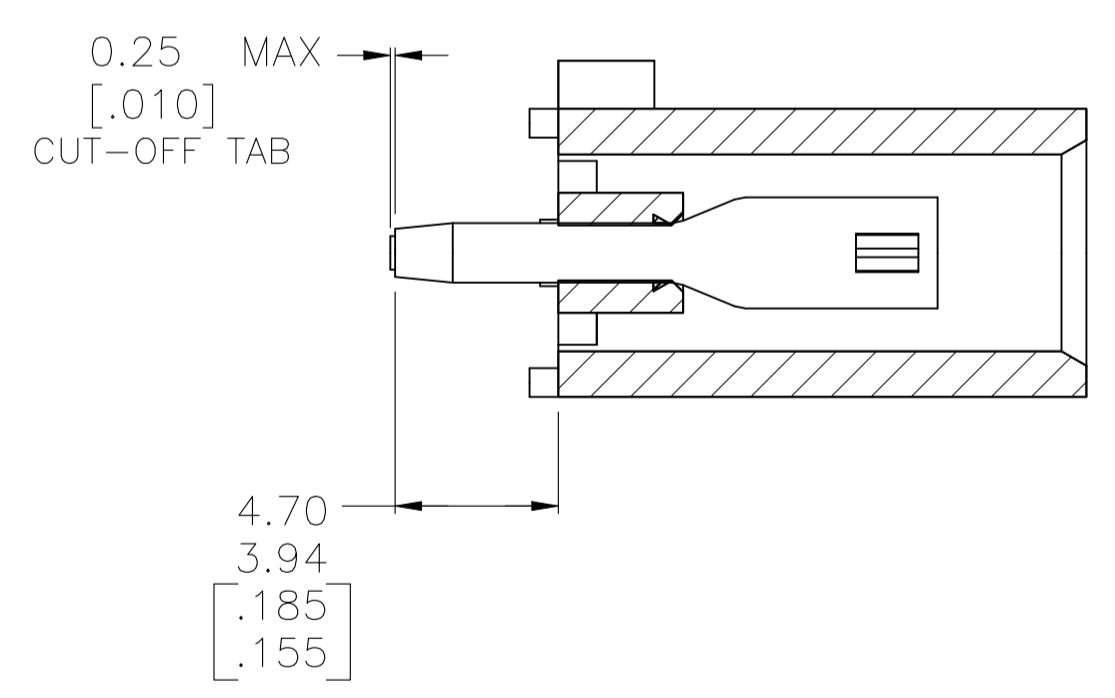
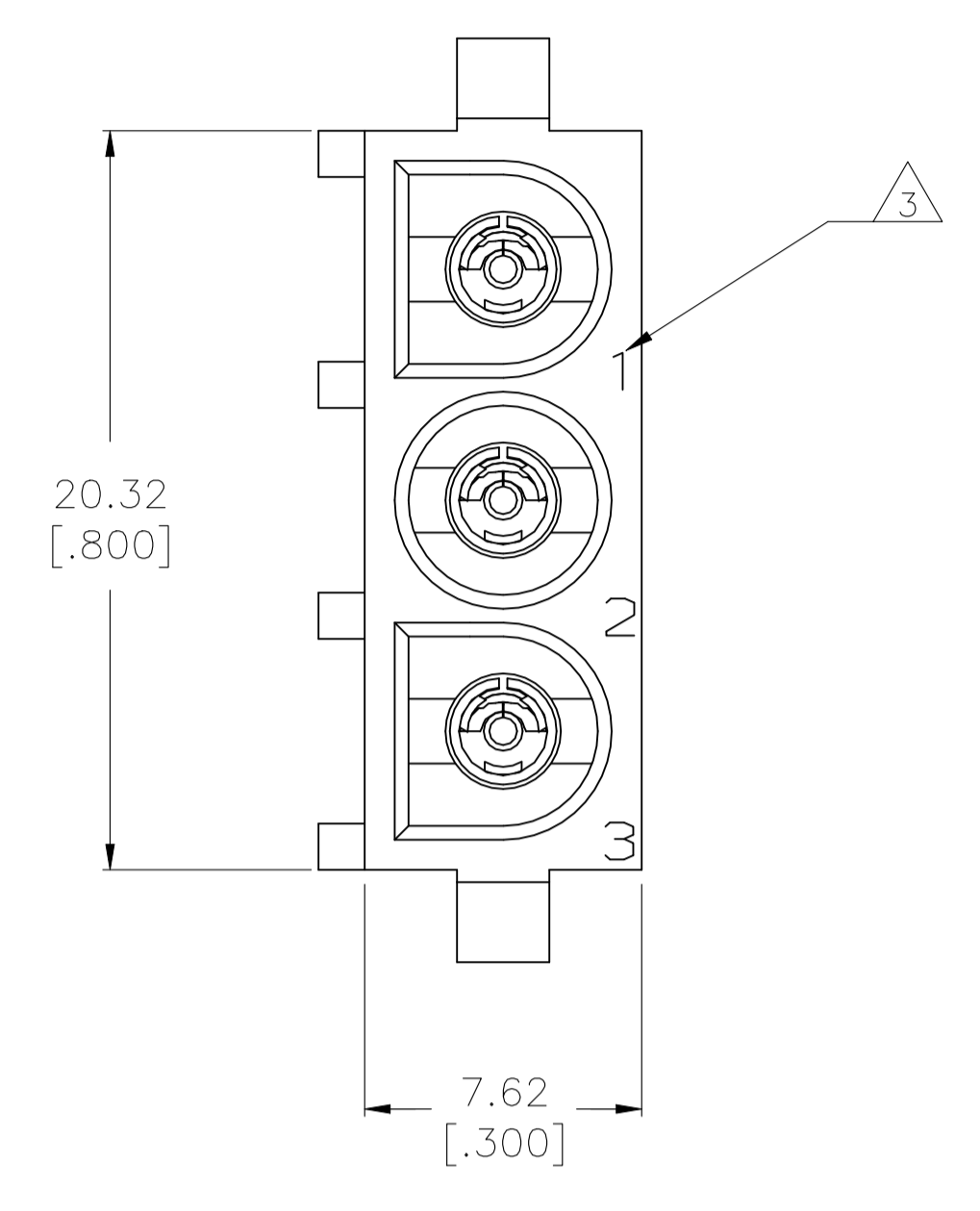
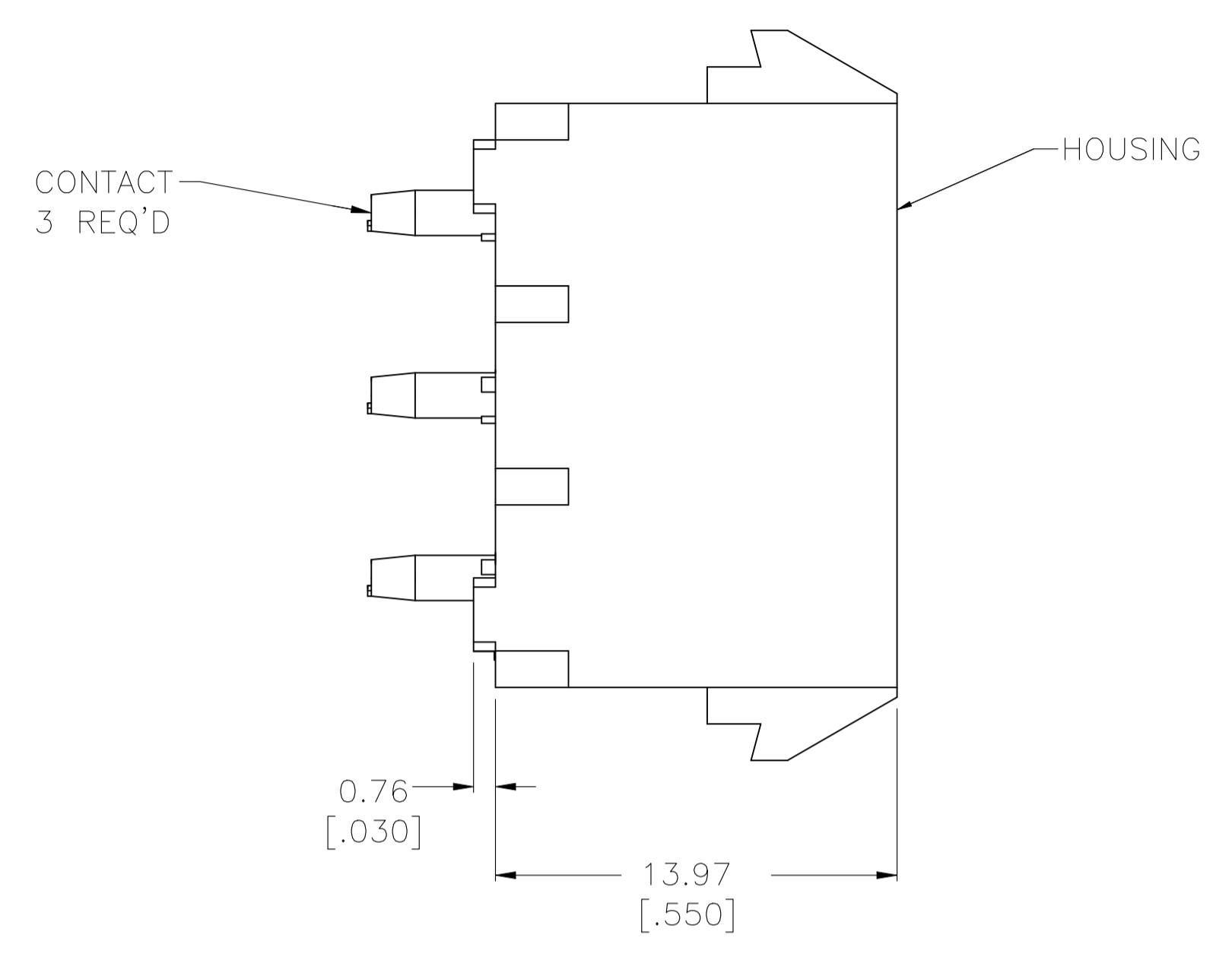
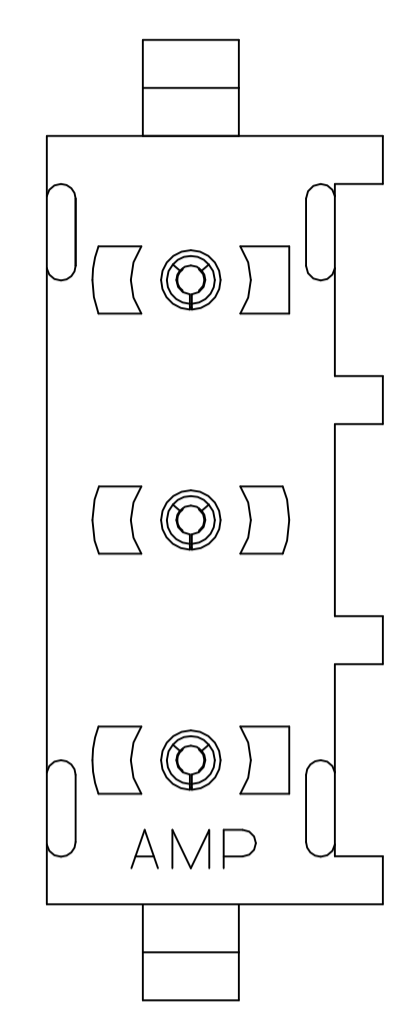
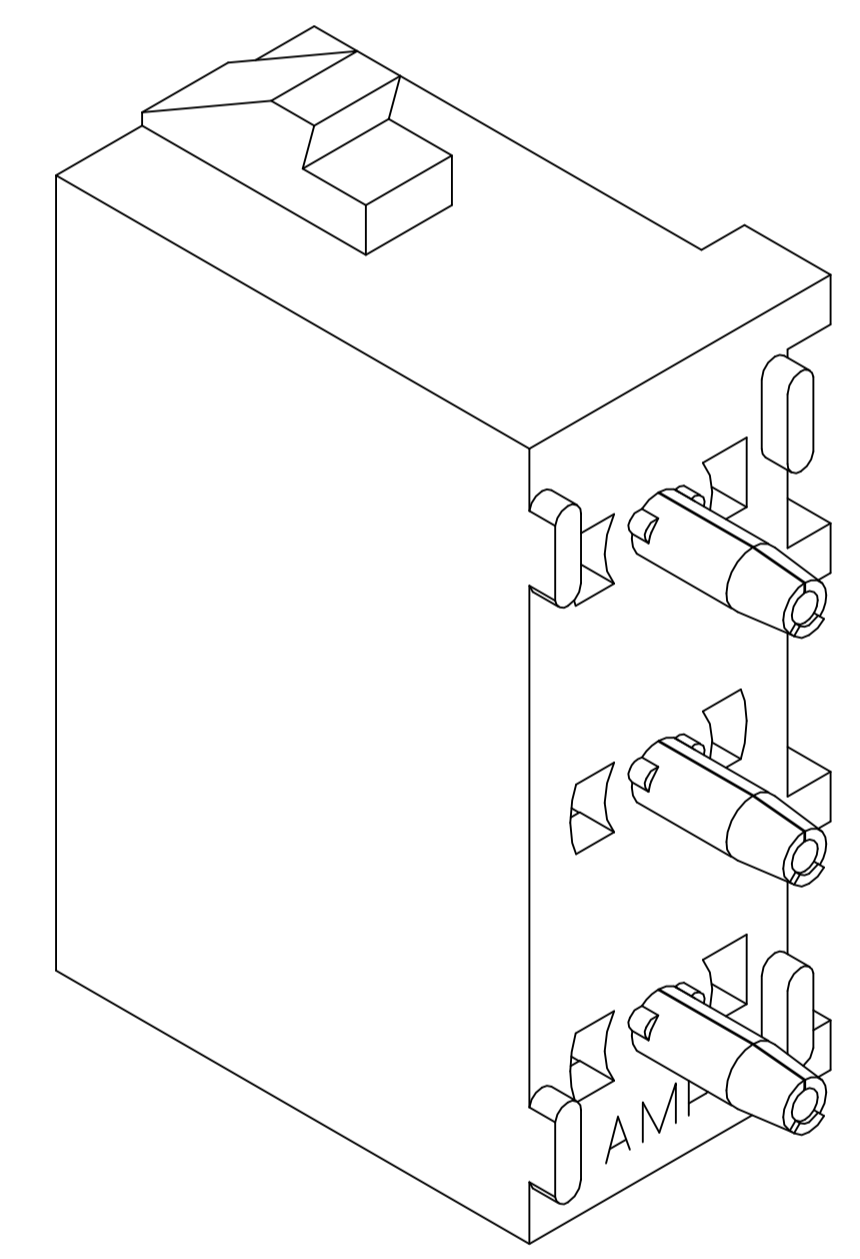


REVISIONS				
REV	DESCRIPTION	DATE	BY	APP'D
A1	REVISED PER ECR-21-119230	02NOV2021	SS	VS

- 1 PARTS COMPLY TO TYCO ELECTRONICS SOLDERABILITY SPECIFICATION 109-11-2.
- 2 DIMENSIONS IN BRACKETS ARE IN INCHES.
- 3 CIRCUIT IDENTIFICATION CHARACTERS ARE ADJACENT TO THE INDICATED CAVITIES, BUT LOCATION AND ORIENTATION MAY DIFFER FROM PRINT.
- 4 FLAMMABILITY UL V-0 FOR THICKNESS 0.4, 0.45, 0.8, 1.6, AND 3.0 PER IEC 60695-11-10.
- 5 GLOW WIRE FLAMMABILITY (GWF1): 960°C FOR THICKNESS 0.45, 0.8, 1.6, AND 3.0 PER IEC 60695-2-12.
- 6 GLOW WIRE IGNITION (GWIT): 825°C FOR THICKNESS 0.45, 800°C FOR THICKNESS 0.8, 775°C FOR THICKNESS 1.6 AND 3.0 PER IEC 60695-2-13.
- 7 DIMENSIONS SHOWN REPRESENT PRODUCT IN DRY CONDITION. ADDITIONAL 2% GROWTH DUE TO END USE LOCATION MOISTURE ABSORPTION MAY OCCUR AND SHOULD BE ACCOUNTED FOR.



RECOMMENDED MOUNTING HOLE PATTERN FOR 1.57 [.062] THICK P.C. BOARD



3-DIMENSIONAL MODEL NTS

PHOSPHOR BRONZE, PRE-TIN		NYLON, UL V-0 GW, NATURAL	1969800-1
PIN CONTACT MATERIAL AND FINISH		HOUSING MATERIAL	PART NO
THIS DRAWING IS A CONTROLLED DOCUMENT.		TE Connectivity	
DIMENSIONS: mm [INCHES] TOLERANCES UNLESS OTHERWISE SPECIFIED: 0 PLC ± - 1 PLC ± - 2 PLC ± 0.13 [.005] 3 PLC ± - 4 PLC ± - ANGLES ± 0°30'		NAME: SOCKET HEADER ASSEMBLY, 3 CIRCUIT UNIVERSAL MATE-N-LOK(TM) APPLICATION SPEC: - PRODUCT SPEC: - SIZE: A1 CAGE CODE: 00779 DRAWING NO: 1969800	
MATERIAL: SEE TABLE		WEIGHT: 0.000000 CUSTOMER DRAWING: - SCALE: 5:1 SHEET: 1 OF 1 REV: A1	