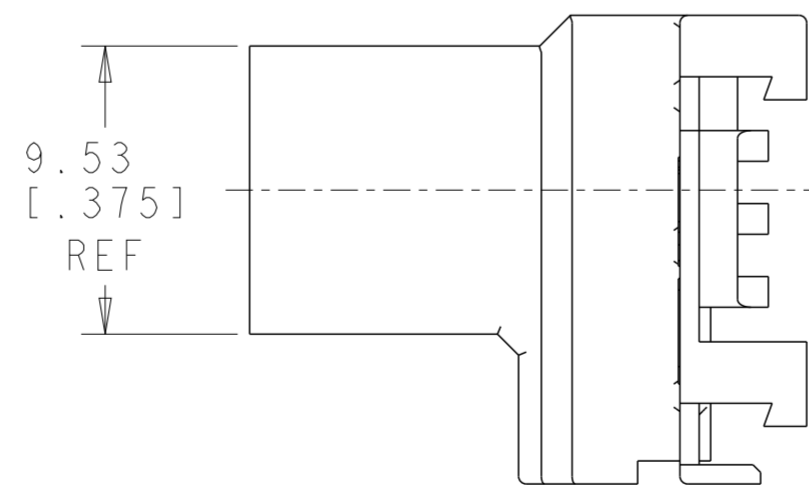
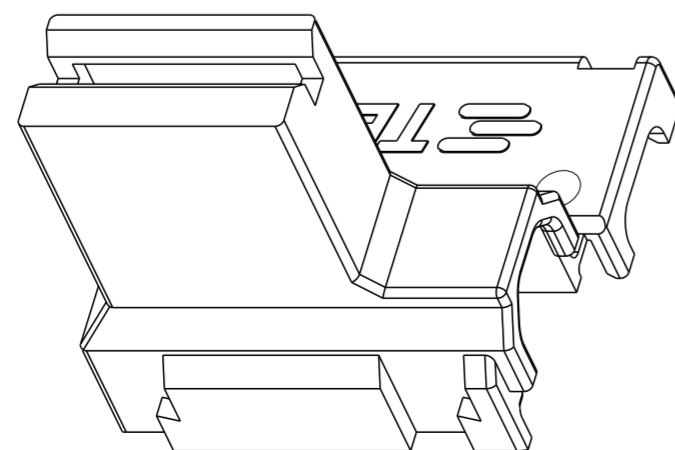
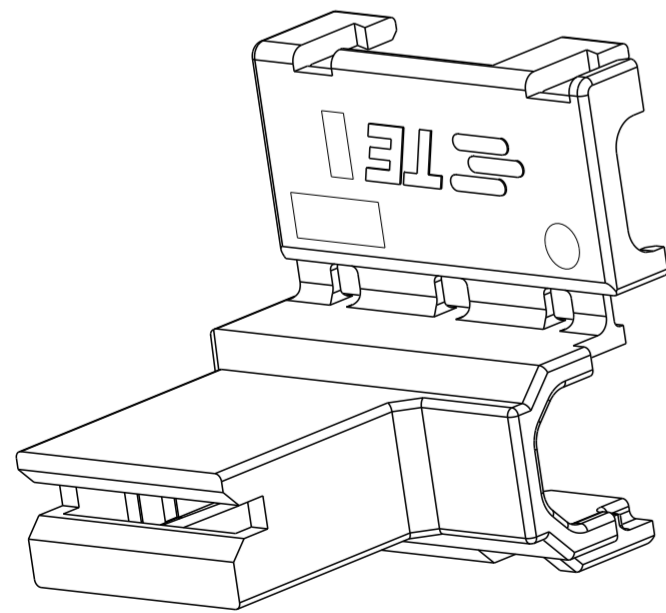
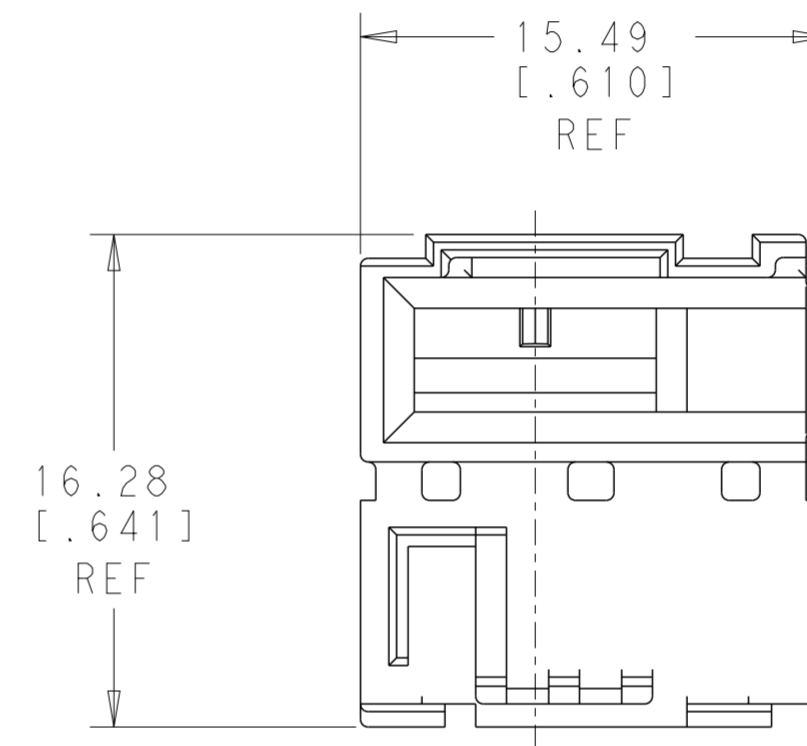
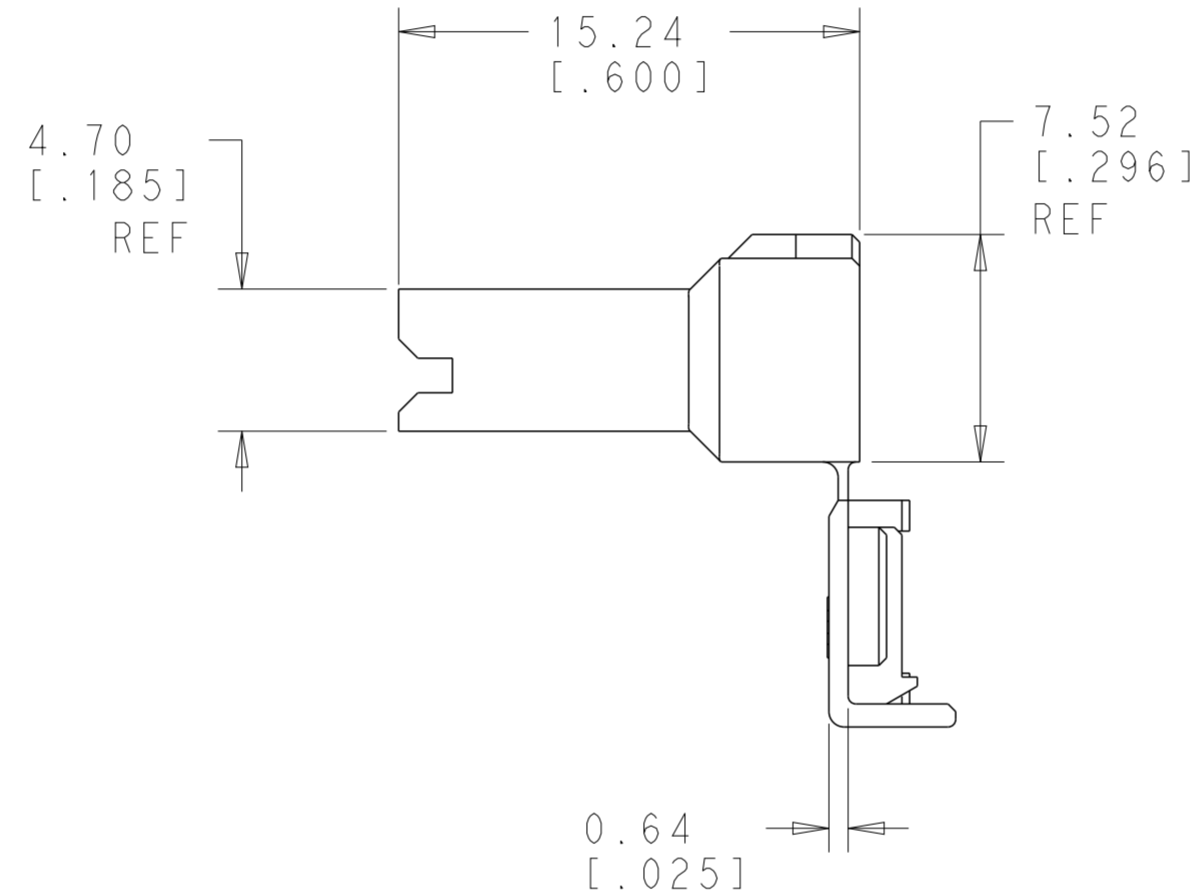
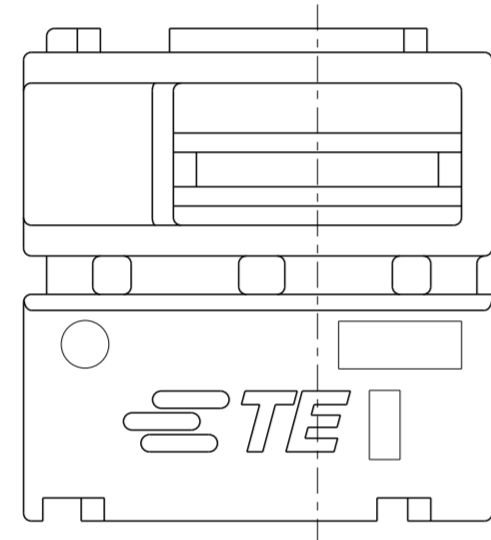
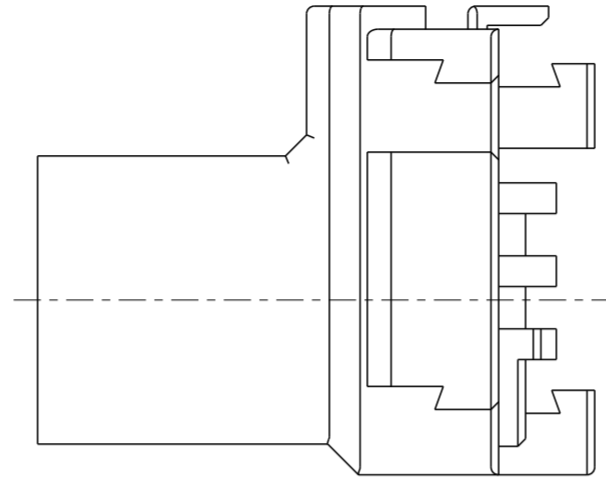


THIS DRAWING IS UNPUBLISHED. RELEASED FOR PUBLICATION
 © COPYRIGHT copyright.d8te- ALL RIGHTS RESERVED.

REVISIONS				
P	LTR	DESCRIPTION	DATE	APVD
C1		REVISED PER ECR-19-006167	07MAY2019	BDA DH
C2		REVISED PER ECR-19-016225	04OCT2019	BDA DH
D		REVISED PER ECN-22-147652	08APR2022	MK ES
E		REVISED PER ECR-23-175402	22JUN2023	DB AF

- 1 THIS HOUSING ACCEPTS TERMINAL PART NUMBERS 2238171-3 63901-X OR 63012-X OR 63010-X.
- 2 REFER TO SPECIFICATION 408-143119 FOR GUIDANCE ON RE-MOISTURIZATION AND PART STORAGE

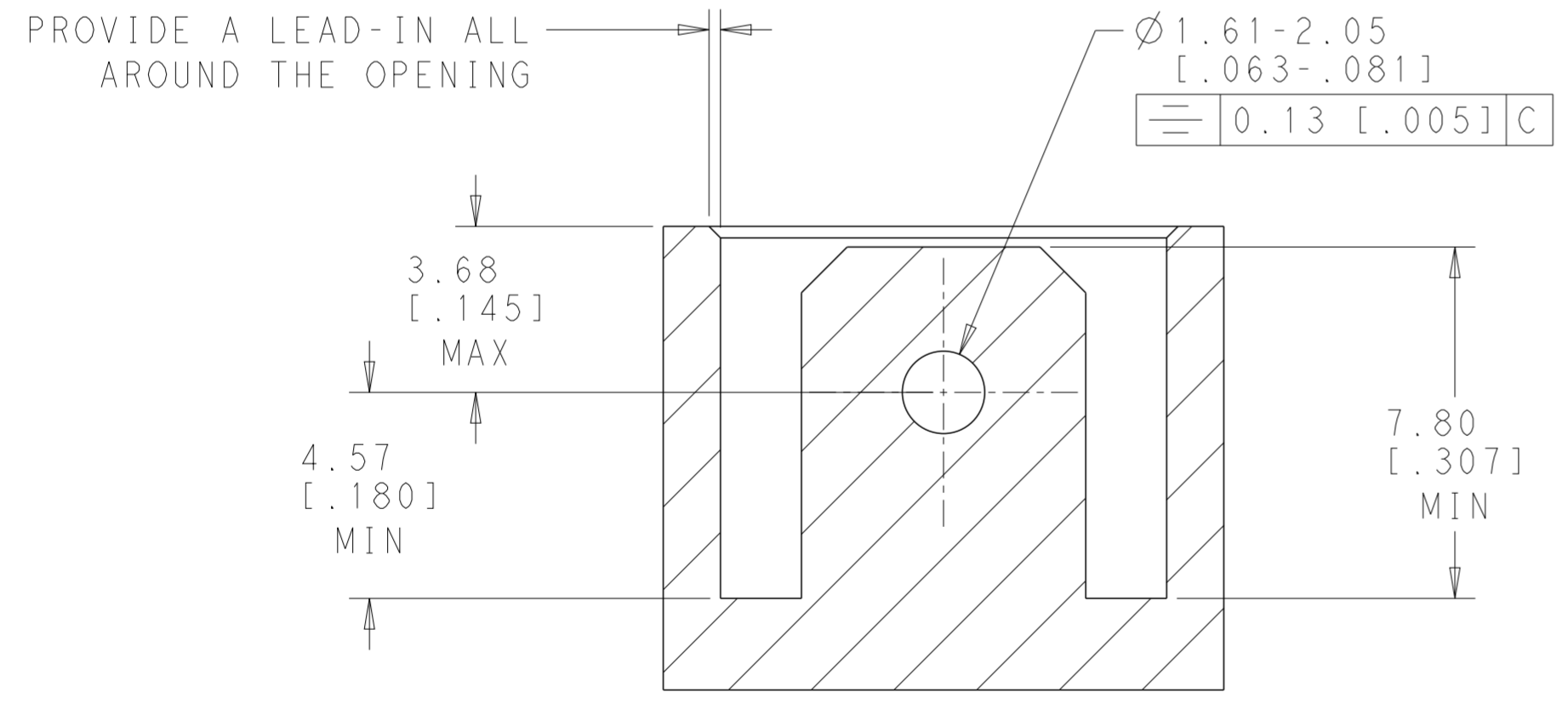
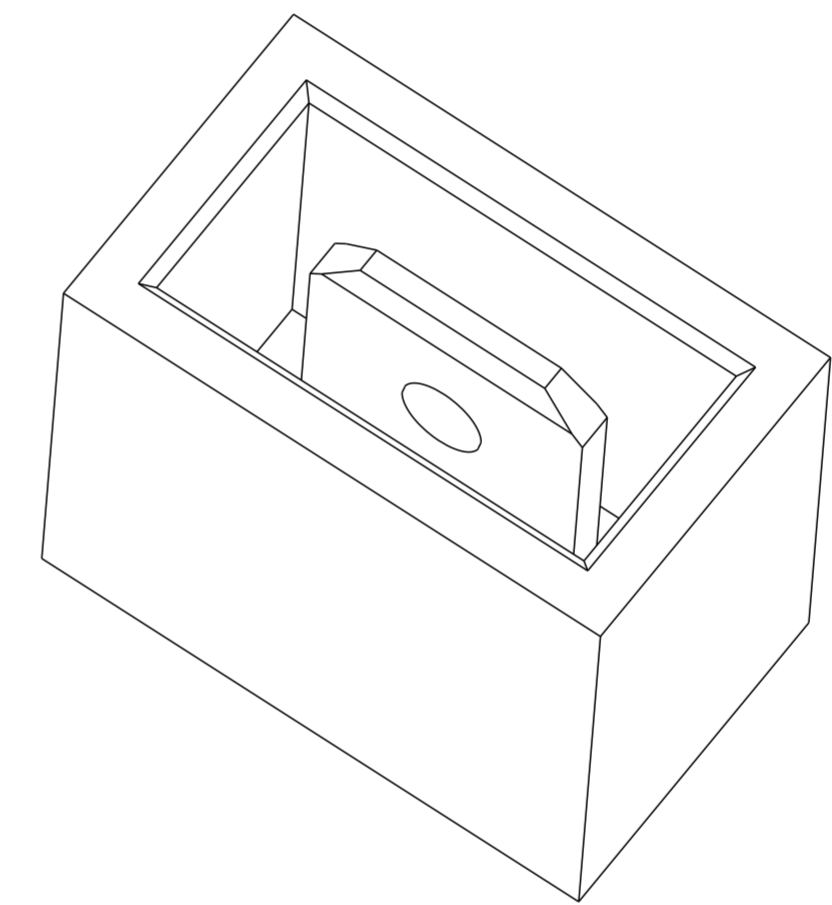
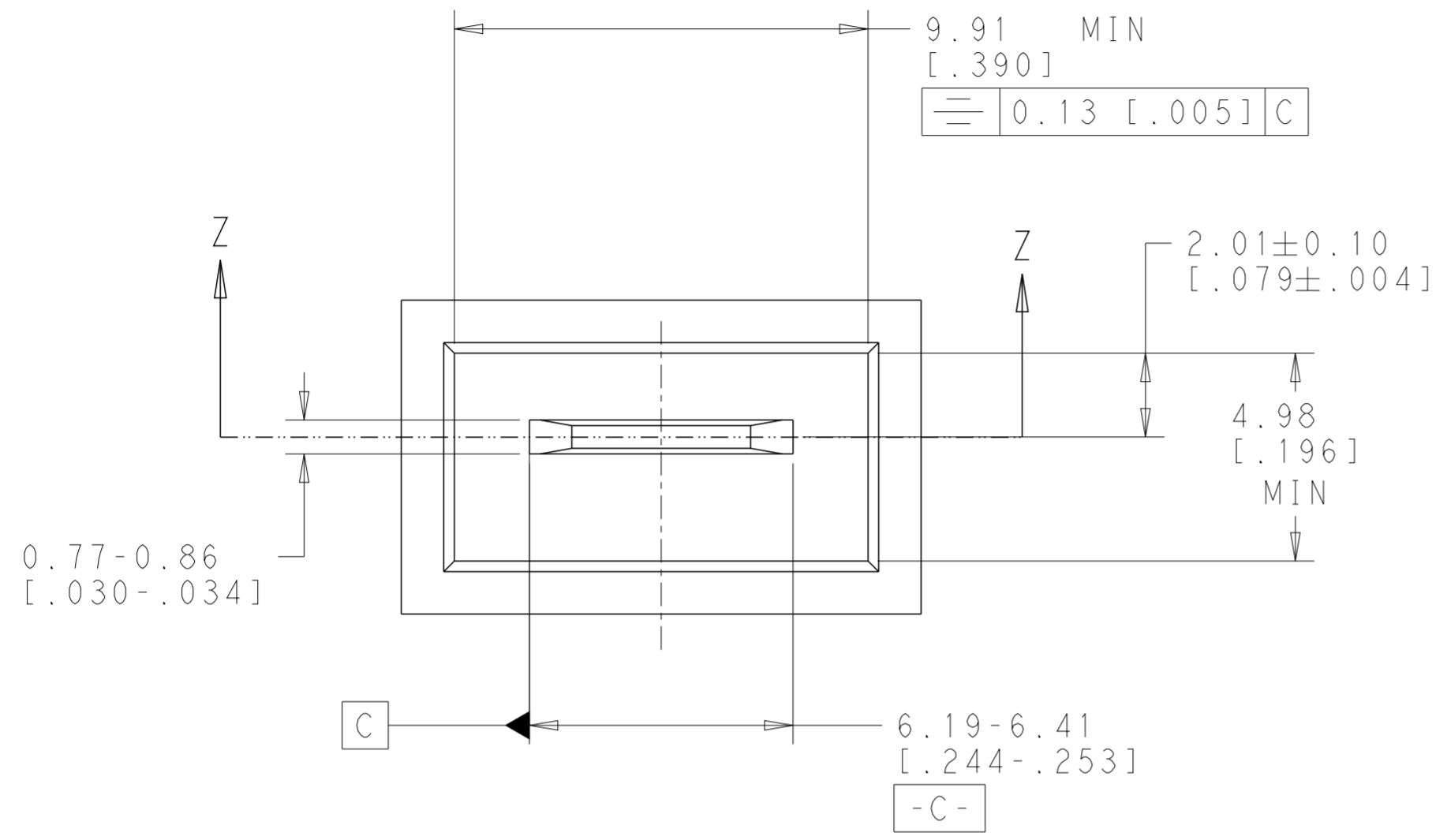


RED	NYLON, UL94V-0, 150°C	1969657-2
BLACK	NYLON, UL94V-0, 150°C	1969657-1
COLOR	MATERIAL	PART NO.

THIS DRAWING IS A CONTROLLED DOCUMENT.		DWN JR RUTH 22OCT13	STE TE Connectivity	
DIMENSIONS: mm [INCHES]		CHK PETE DESANTIS 22OCT13		
TOLERANCES UNLESS OTHERWISE SPECIFIED:		APVD PETE DESANTIS 22OCT13	NAME HOUSING, RECEPTACLE, FLAG FASTON, RIGHT HAND	
0 PLC ±		PRODUCT SPEC	SIZE A2	
1 PLC ±		APPLICATION SPEC	CAGE CODE -	
2 PLC ±0.25 [.010]		WEIGHT -	DRAWING NO. C-1969657	
3 PLC ±		CUSTOMER DRAWING	RESTRICTED TO -	
4 PLC ±		SCALE 4:1	SHEET 1 OF 2	
ANGLES ±			REV E	
FINISH				
COLOR - SEE TABLE				

THIS DRAWING IS UNPUBLISHED. RELEASED FOR PUBLICATION
 © COPYRIGHT copyright.d8te- ALL RIGHTS RESERVED.

REVISIONS				
P	LTR	DESCRIPTION	DATE	APVD
-	-	SEE SHEET 1	-	-



SECTION Z-Z

THIS DRAWING IS A CONTROLLED DOCUMENT.		DWN JR RUTH 22OCT13	TE Connectivity	
DIMENSIONS: mm [INCHES]		CHK PETE DESANTIS 22OCT13		
TOLERANCES UNLESS OTHERWISE SPECIFIED:		APVD PETE DESANTIS 22OCT13	NAME HOUSING, RECEPTACLE, FLAG FASTON, RIGHT HAND	
0 PLC ±	1 PLC ±	PRODUCT SPEC	SIZE A2	CAGE CODE -
2 PLC ±0.25 [0.010]	3 PLC ±	APPLICATION SPEC	DRAWING NO C-1969657	RESTRICTED TO -
4 PLC ±	ANGLES ±	WEIGHT -	SCALE 4:1	SHEET 2 OF 2
MATERIAL SEE TABLE	FINISH COLOR - SEE TABLE	CUSTOMER DRAWING	REV E	