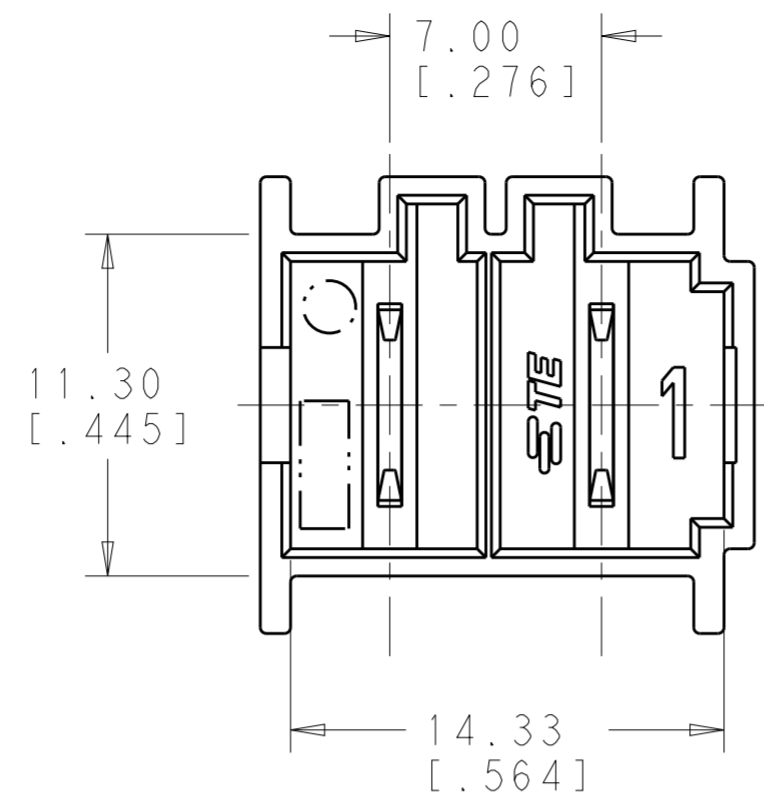


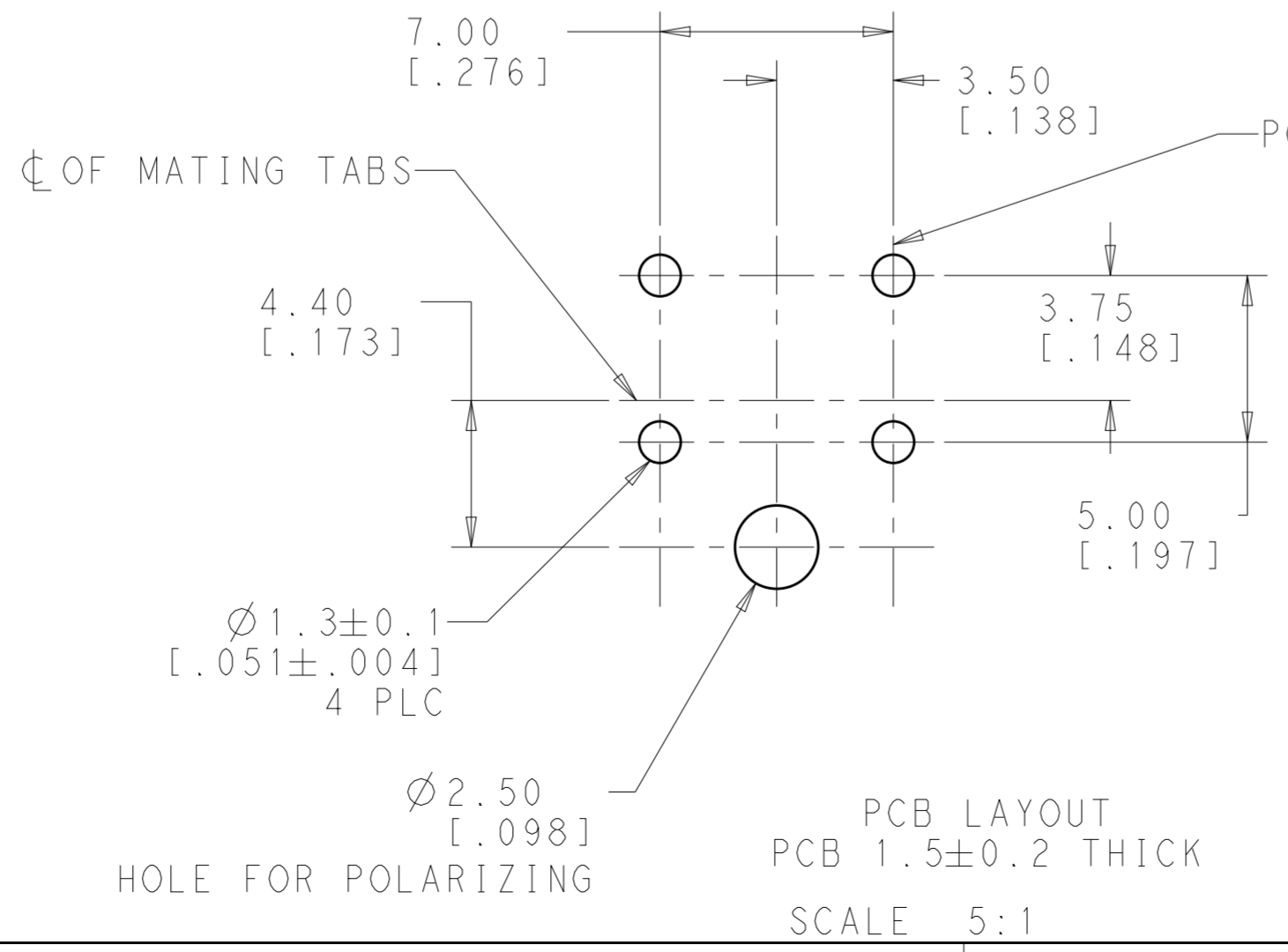
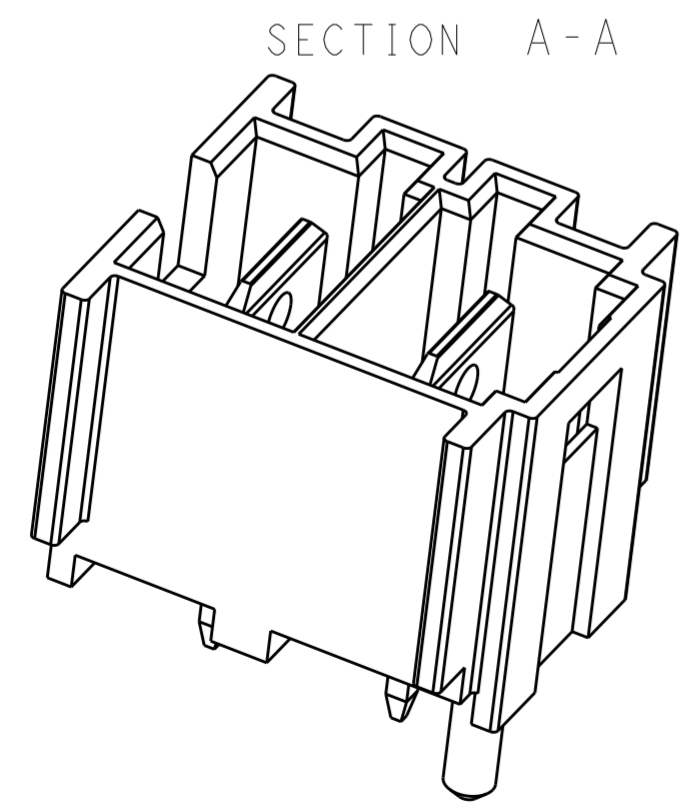
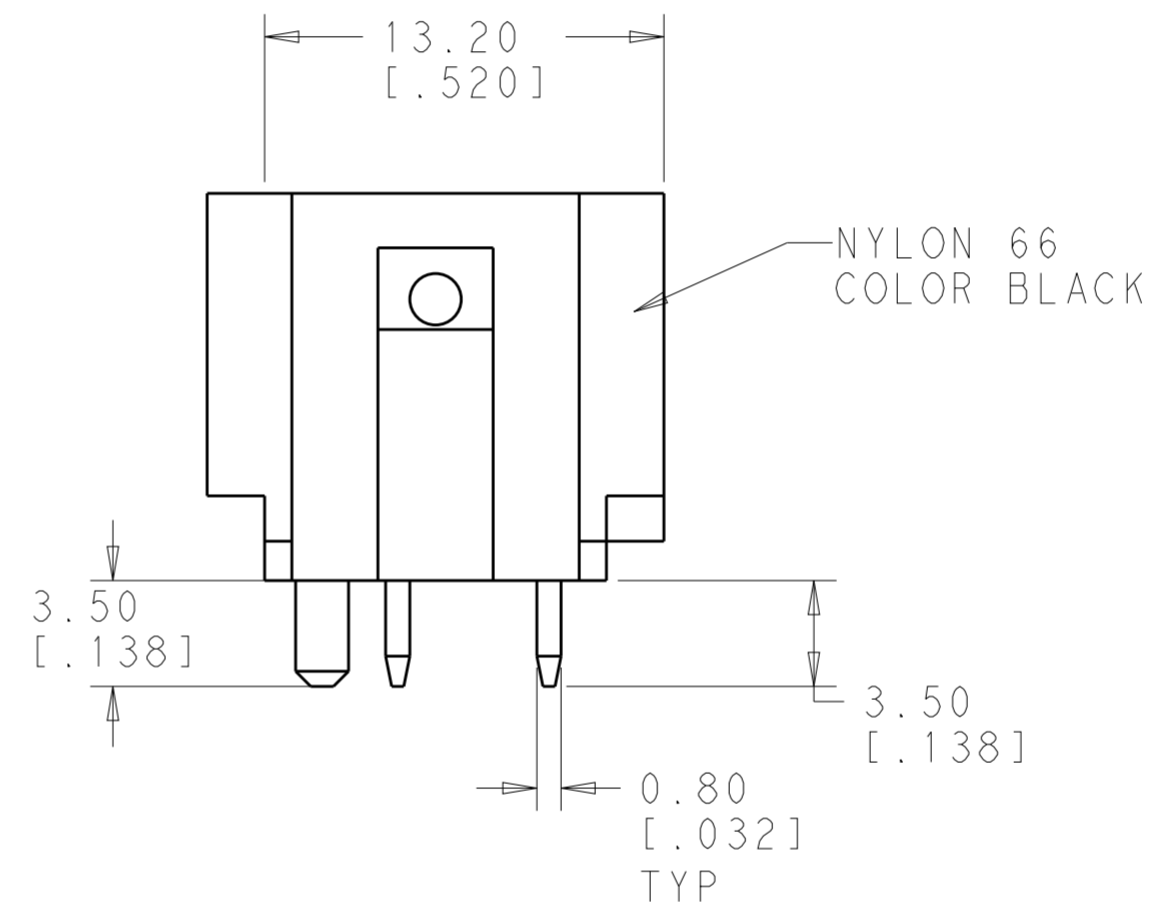
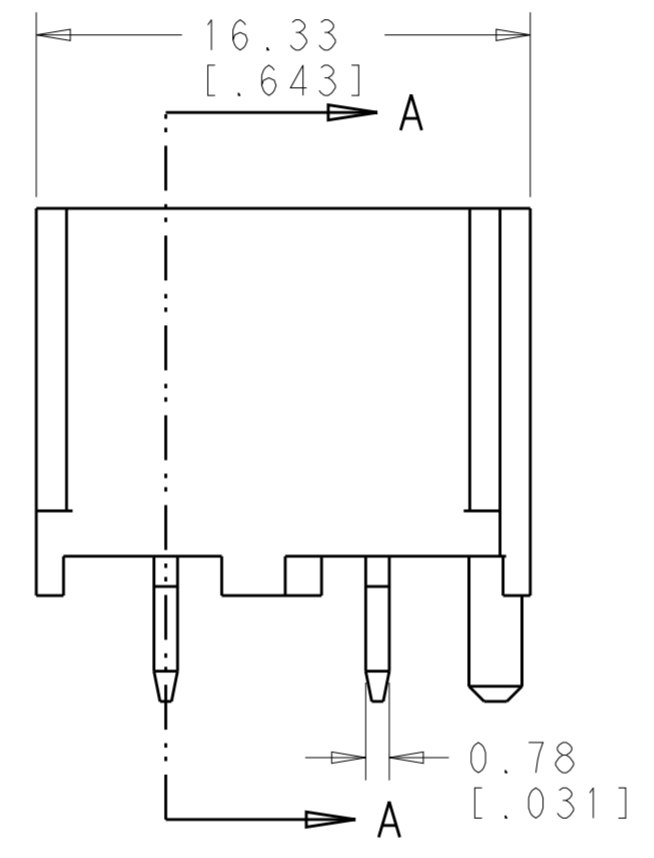
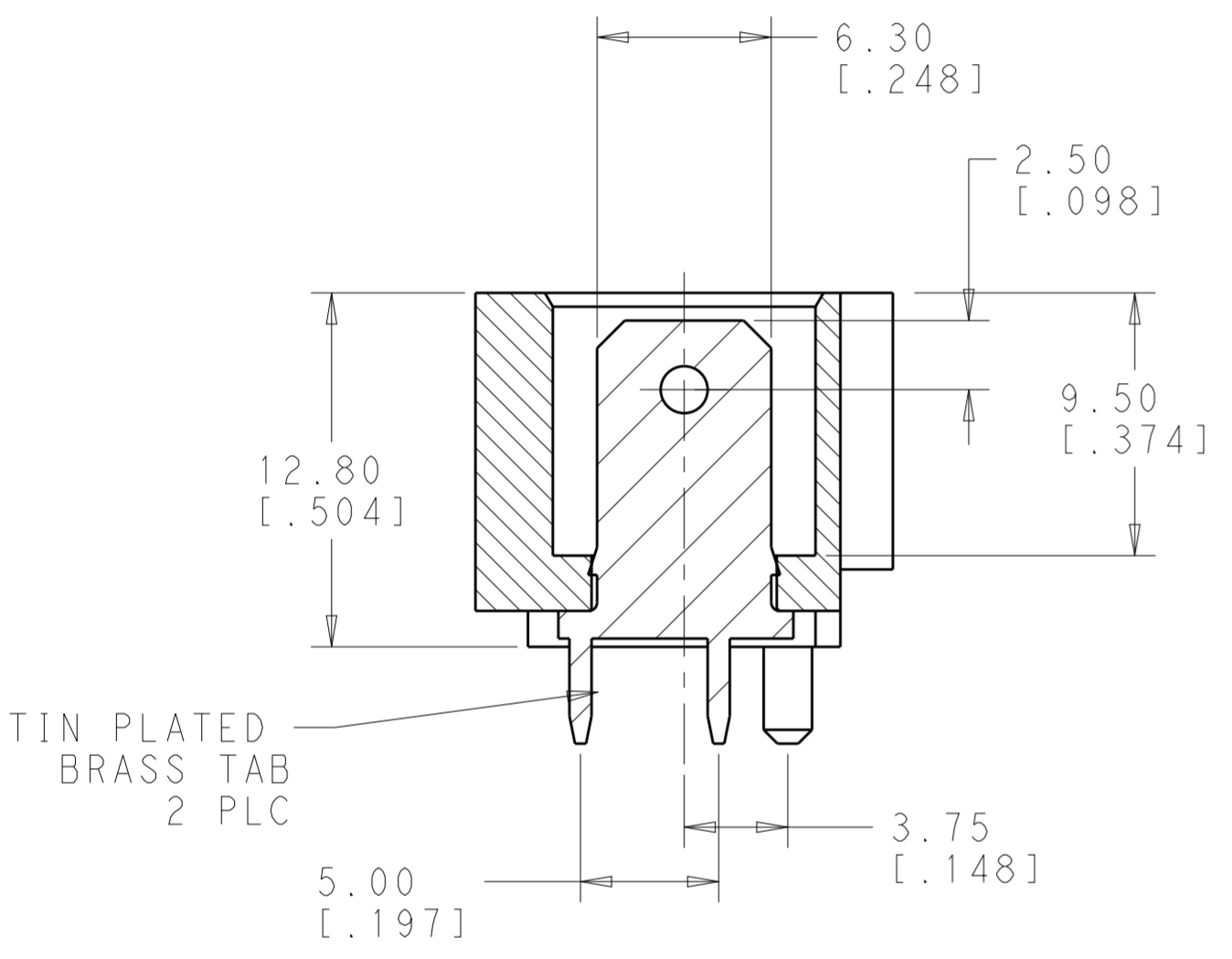
THIS DRAWING IS UNPUBLISHED. RELEASED FOR PUBLICATION 20  
 © COPYRIGHT 20 BY - ALL RIGHTS RESERVED.

LOC	DIST	REVISIONS			
P	LTR	DESCRIPTION	DATE	DWN	APVD
AF	58	6	REVISED	17APR13	JR JH



1 MATES WITH POSITIVE-LOCK HOUSING 1969458-3

⚠ PRELIMINARY - NOT FOR PRODUCTION



⚠ 1969472-1  
PART NO.

THIS DRAWING IS A CONTROLLED DOCUMENT.		DWN JR RUTH 29AUG2011	TE Connectivity	
DIMENSIONS: mm[inches]		CHK J HUMMEL 29AUG2011		
TOLERANCES UNLESS OTHERWISE SPECIFIED:		APVD J HUMMEL 29AUG2011	NAME ASSEMBLY, TAB HEADER, 7MM SILO POWER CORD, 6.35 SERIES, 2 POS	
0 PLC ±	1 PLC ±0.1	PRODUCT SPEC -	SIZE A200779	CAGE CODE C-1969472
2 PLC ±0.13	3 PLC ±	APPLICATION SPEC -	SCALE 4:1	SHEET 1 OF 1
4 PLC ±	ANGLES ±	WEIGHT -	CUSTOMER DRAWING	REV 6
FINISH -		RESTRICTED TO -		