

4

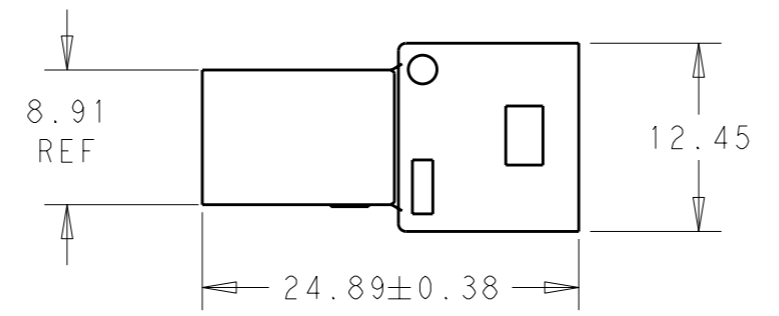
3

2

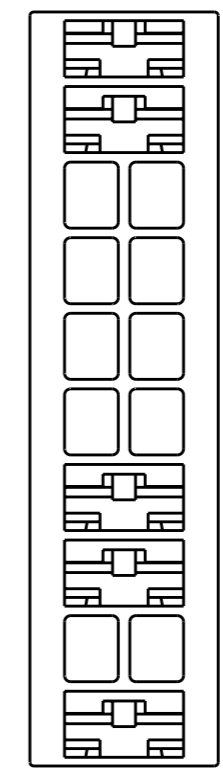
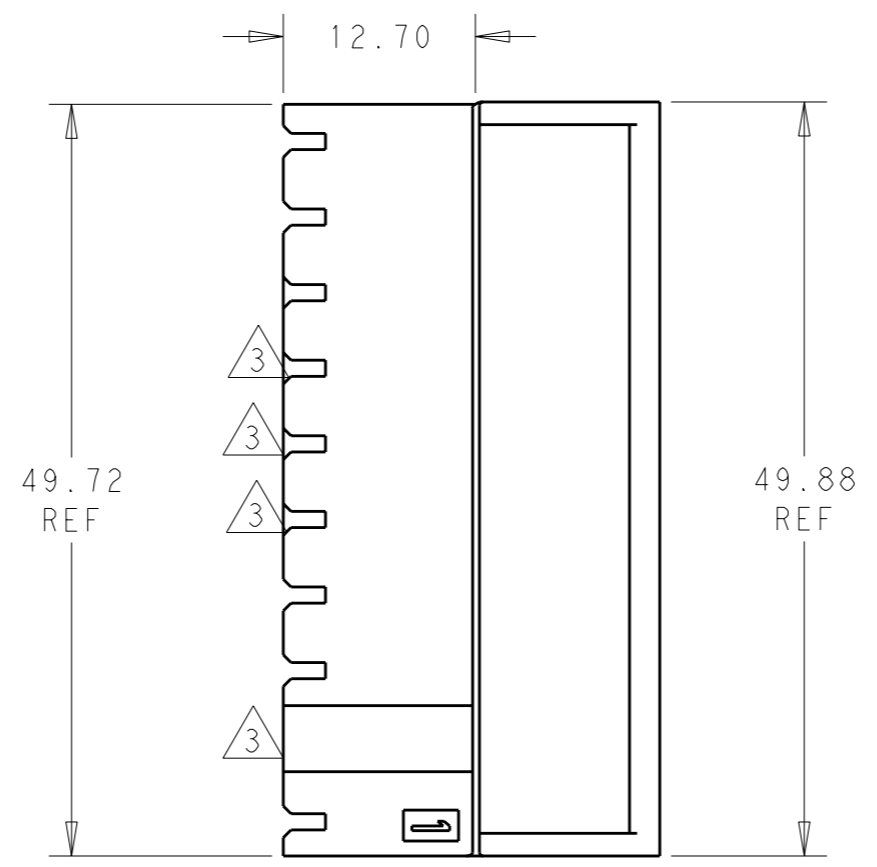
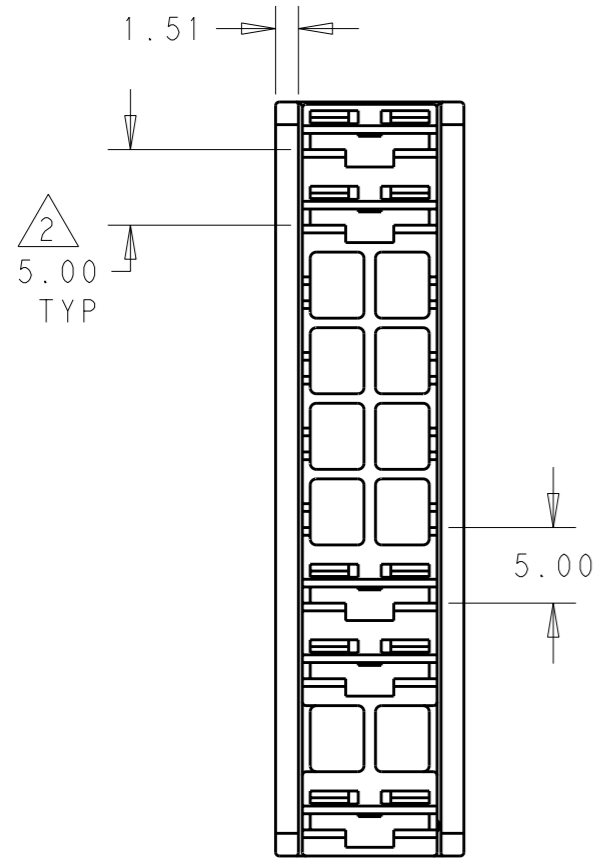
1

THIS DRAWING IS UNPUBLISHED. RELEASED FOR PUBLICATION 20
 © COPYRIGHT 20 BY - ALL RIGHTS RESERVED.

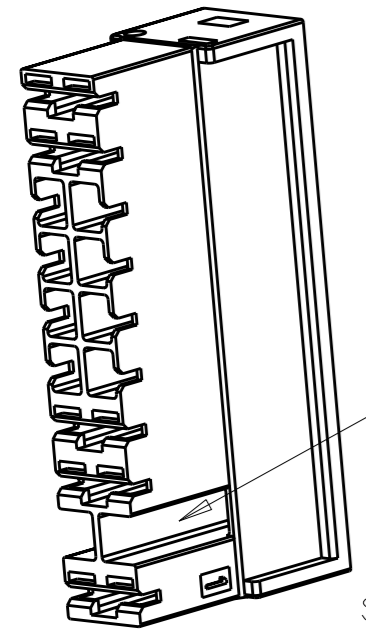
| LOC | DIST | REVISIONS | | | | |
|-----|------|-------------|----------|---------|------|----|
| P | LTR | DESCRIPTION | DATE | DWN | APVD | |
| AF | 50 | 3 | ADDED -4 | 01AUG11 | JR | JH |



- 1 ACCEPTS RECEPTACLE CONTACTS 1217378 AND 1217094
- 2 CIRCUIT CENTERLINES ARE 5.00
- 3 RELIEF SLOTS ARE OPTIONAL FOR BLOCKED CIRCUITS
- 4 PRELIMINARY - NOT FOR PRODUCTION



| | | | | |
|------------------|---------|------------|-------------|-----------|
| 2, 5, 6, 7, 8 | BLACK | NYLON 66 | 4 | 1969404-4 |
| 2, 5, 6, 7, 8 | NATURAL | NYLON 6/66 | 4 | 1969404-3 |
| 2, 5, 6, 7, 8 | BLUE | NYLON 6/66 | 4 | 1969404-2 |
| 2, 5, 6, 7, 8 | BLACK | NYLON 6/66 | 4 | 1969404-1 |
| BLOCKED CIRCUITS | COLOR | MATERIAL | PART NUMBER | |



SCALE 3:2

| | | | | |
|--|--|---------------------------|---|----------------------|
| THIS DRAWING IS A CONTROLLED DOCUMENT. | | DWN JR RUTH 07OCT2010 | TE Connectivity | |
| DIMENSIONS: mm | | CHK RAY LONDON 07OCT2010 | | |
| TOLERANCES UNLESS OTHERWISE SPECIFIED: | | APVD RAY LONDON 07OCT2010 | NAME HOUSING, RECEPT, POSITIVE-LOCK, MKIII, 6.35 SERIES, 10 POSITION, 5 CIRCUIT | |
| 0 PLC ±- | | PRODUCT SPEC - | SIZE A3 | |
| 1 PLC ±- | | APPLICATION SPEC - | CAGE CODE 00779 | DRAWING NO C-1969404 |
| 2 PLC ±0.25 | | WEIGHT - | RESTRICTED TO - | |
| 3 PLC ±- | | CUSTOMER DRAWING | SCALE 2:1 | SHEET 1 OF 1 |
| 4 PLC ±- | | | | REV 3 |
| ANGLES ±- | | | | |
| FINISH - | | | | |