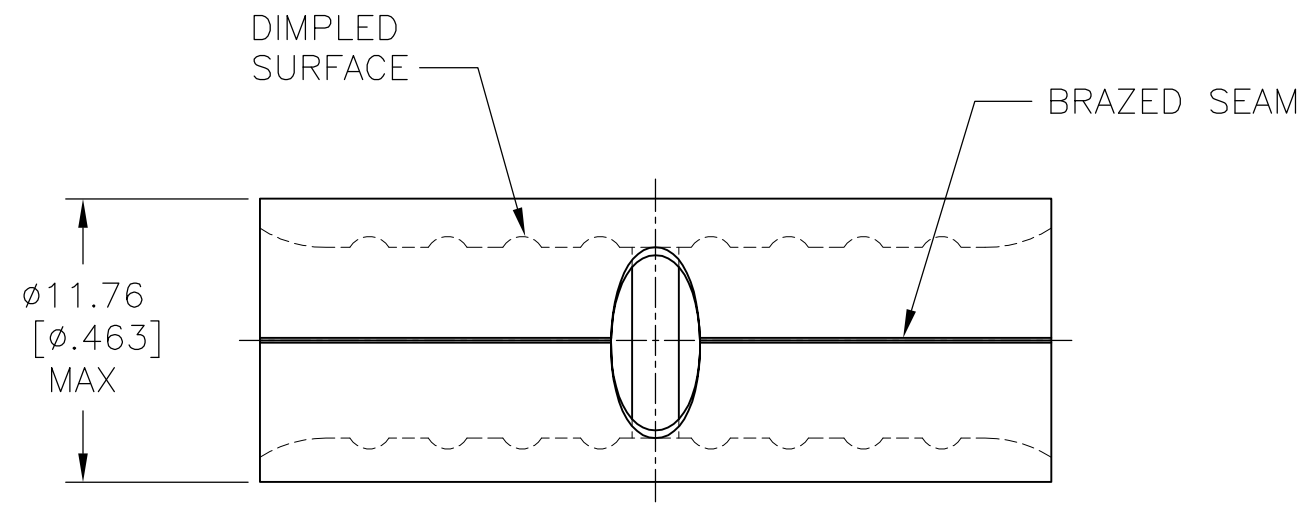


THIS DRAWING IS UNPUBLISHED. RELEASED FOR PUBLICATION
 © COPYRIGHT - By - ALL RIGHTS RESERVED.

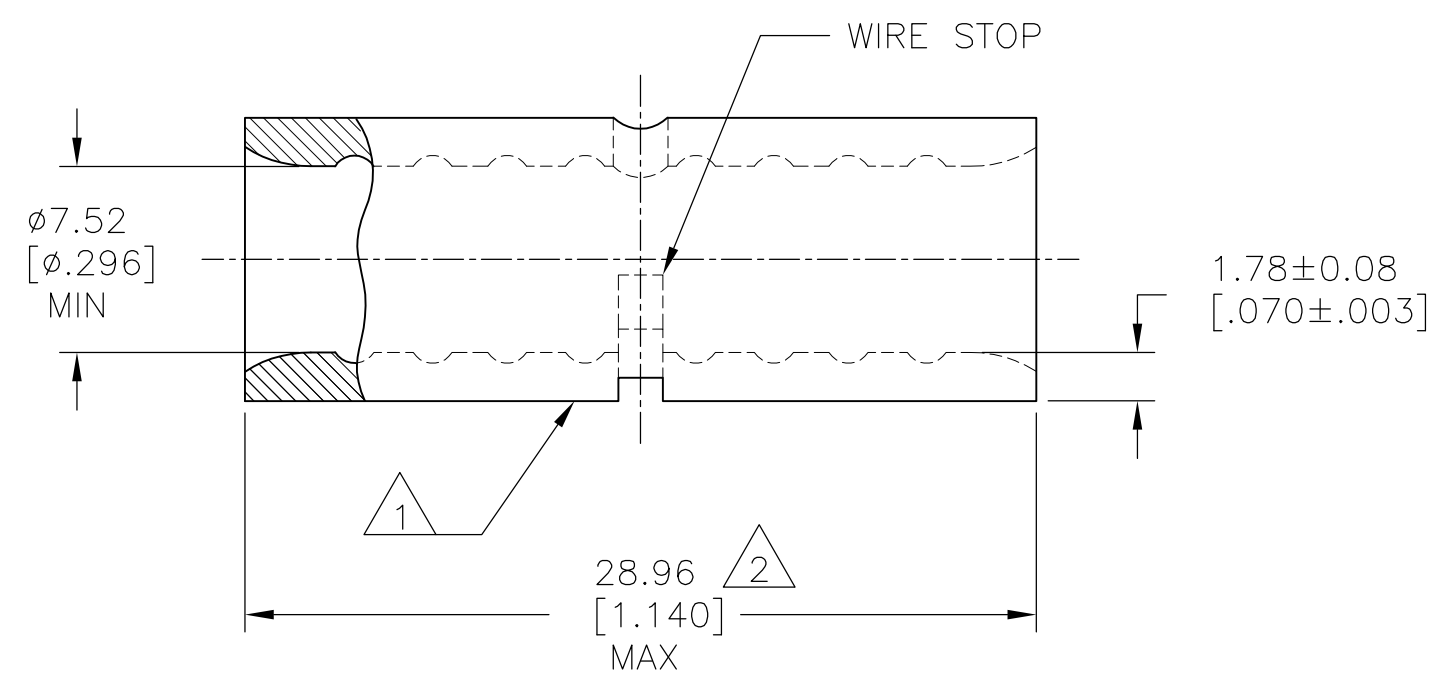
REVISIONS				
P	LTR	DESCRIPTION	DATE	APVD
	A	REVISED PER ECR-17-000804	04FEB2017	BDA DR

AMP
WIRE RANGE

4 AWG
SOLID OR STRANDED



- 1 STAMP AMP 4W* APPROX AS SHOWN.
- 2 MAXIMUM LENGTH DOES NOT INCLUDE MANUFACTURING TABS.
- 3 NICKEL PLATE PER SAE AMS QQ-N-290 0.00762[.000300] MIN EXT. THICKNESS.



100	LOOSE PIECE	1958509-1
QTY	PACKAGE TYPE	PART NO

AMP INCORPORATED
CUSTOMER SERVICE SYSTEMS

FOR ADDITIONAL PRODUCT INFORMATION OR COPIES OF DRAWINGS AND TECHNICAL DOCUMENTS	PRODUCT INFORMATION CENTER 1-800-522-6752	MAX RECOMMENDED OPERATING TEMPERATURE: 343°C [649°F]
FOR APPLICATION TOOLING INFORMATION	TOOLING ASSISTANCE CENTER 1-800-722-1111	
FOR ORDER ENTRY	1-800-526-5142	WIRE CROSS SECTIONAL AREA RANGE: 16.8-26.7mm ² [33,100-52,600] CIR MILS SOLID OR STRANDED

THIS DRAWING IS A CONTROLLED DOCUMENT.

DIMENSIONS: mm [INCHES]	TOLERANCES UNLESS OTHERWISE SPECIFIED:
	0 PLC ± -
	1 PLC ± -
	2 PLC ± -
	3 PLC ± -
	4 PLC ± -
	ANGLES ± -
MATERIAL COPPER PER ASTM B-152 ANNEALED	FINISH 3

DWN NAGALAKSHMI K 17JUN2016	TE Connectivity NAME SPLICE, BUTT, SIGHT HOLE, HR, STRATO-THERM			
CHK ROHDE DANIEL F 17JUN2016				
APVD ROHDE DANIEL F 17JUN2016				
PRODUCT SPEC - APPLICATION SPEC -				
SIZE A3	CAGE CODE 00779	DRAWING NO C-1958509	RESTRICTED TO -	
CUSTOMER DRAWING		SCALE 8:1	SHEET 1 OF 1	REV A