

4

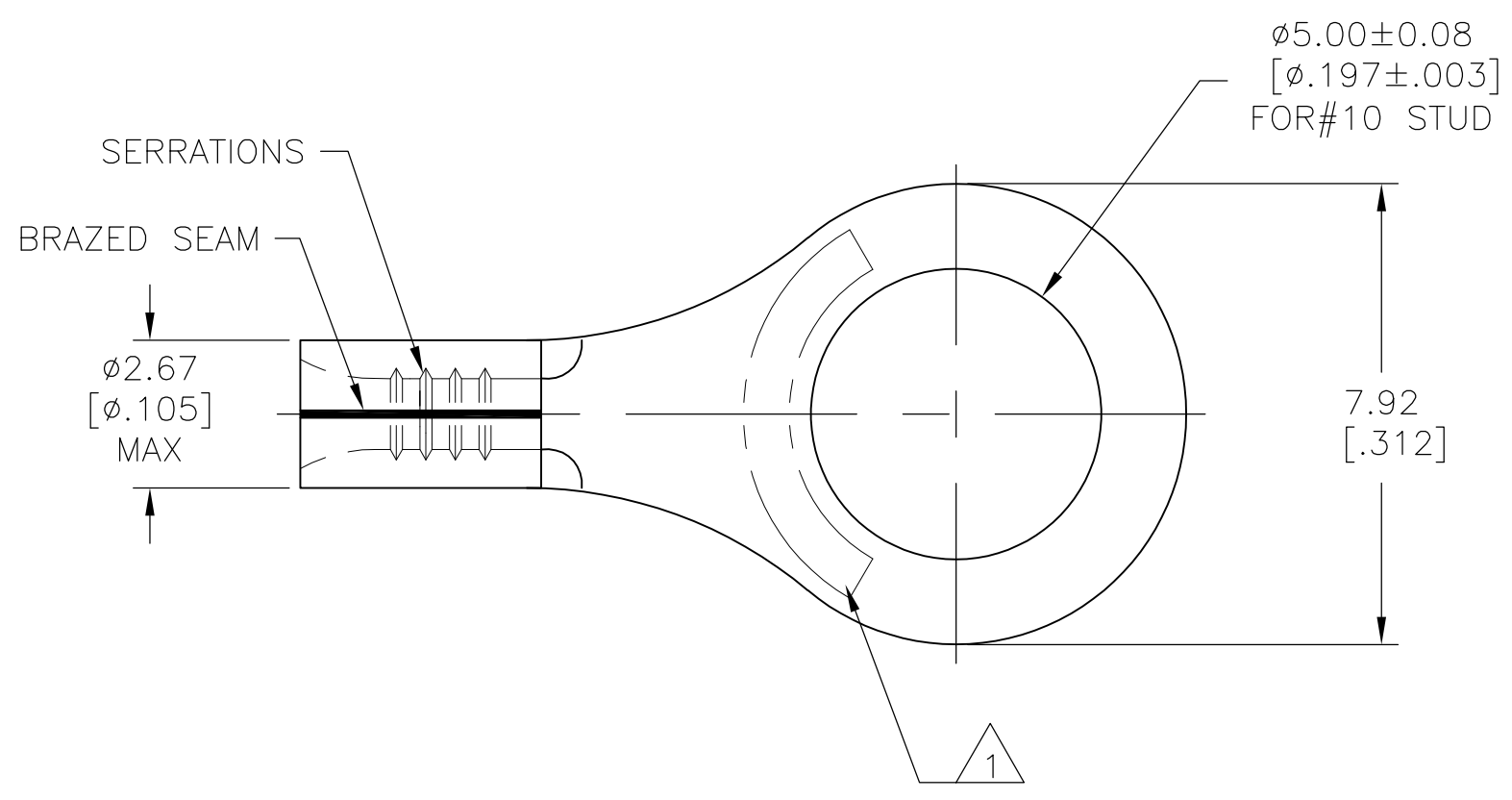
3

2

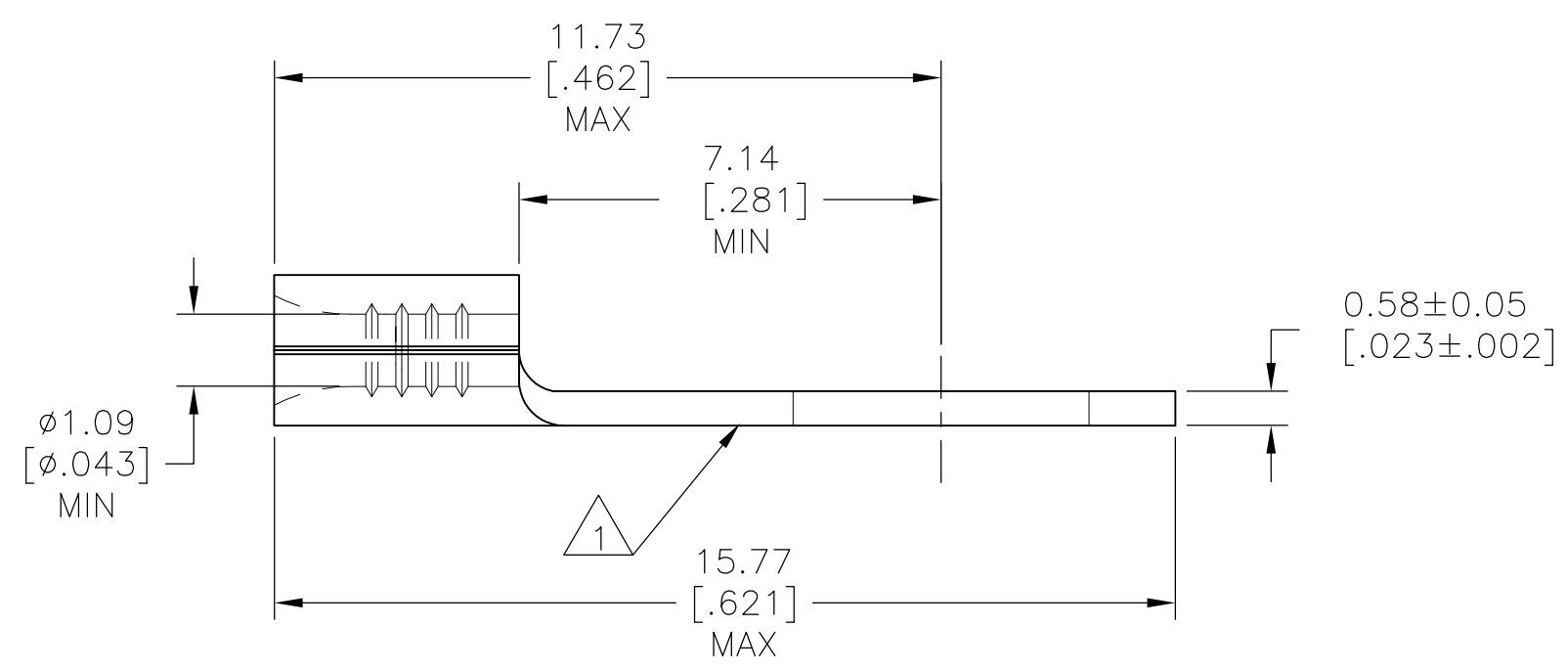
1

THIS DRAWING IS UNPUBLISHED. RELEASED FOR PUBLICATION
 © COPYRIGHT - By - ALL RIGHTS RESERVED.

LOC	DIST	REVISIONS					
		P	LTR	DESCRIPTION	DATE	DWN	APVD
G	05		A	REVISED PER ECO-13-018306	26NOV2013	KH	DR



- 1 STAMP "AMP 24-20" APPROX AS SHOWN
- 2 MATERIAL : COPPER PER ASTM B152, ANNEALED
- 3 FINISH : TIN PLATE 0.00254[.000100] MIN EXT THK, PER ASTM B545



1000	LOOSE PIECE	1958467-1
QTY	PACKAGE TYPE	PART NUMBER

AMP INCORPORATED CUSTOMER SERVICE SYSTEMS		MAX RECOMMENDED OPERATING TEMPERATURE: 170°C [338°F]	THIS DRAWING IS A CONTROLLED DOCUMENT.		DWN KIRAN HOLAL 07JUN2013	TE Connectivity			
FOR ADDITIONAL PRODUCT INFORMATION OR COPIES OF DRAWINGS AND TECHNICAL DOCUMENTS	PRODUCT INFORMATION CENTER 1-800-522-6752	VOLTAGE RATING: N/A	DIMENSIONS: mm [INCHES]	TOLERANCES UNLESS OTHERWISE SPECIFIED:	CHK ROHDE DANIEL 07JUN2013			NAME TERMINAL SOLISTRAND RING TOUNGUE WIRE SIZE : 24-20	
FOR APPLICATION TOOLING INFORMATION	TOOLING ASSISTANCE CENTER 1-800-722-1111	WIRE: 0.16-0.65mm ² [320-1,290] CIR MILS STRANDED		0 PLC ± - 1 PLC ± - 2 PLC ± - 3 PLC ± .008 4 PLC ± - ± 1° ANGLES	APVD ROHDE DANIEL 07JUN2013	PRODUCT SPEC			
FOR ORDER ENTRY	1-800-526-5142	THIS DRAWING IS A CONTROLLED DOCUMENT FOR AMP INCORPORATED. IT IS SUBJECT TO CHANGE AND THE CONTROLLING ENGINEERING ORGANIZATION SHOULD BE CONTACTED FOR THE LATEST REVISION.	MATERIAL	FINISH	APPLICATION SPEC	SIZE	CAGE CODE	DRAWING NO	RESTRICTED TO
			2	3	—	A3	00779	C-1958467	—
			CUSTOMER DRAWING		SCALE	SHEET		REV	
					8:1	1 OF 1		A	