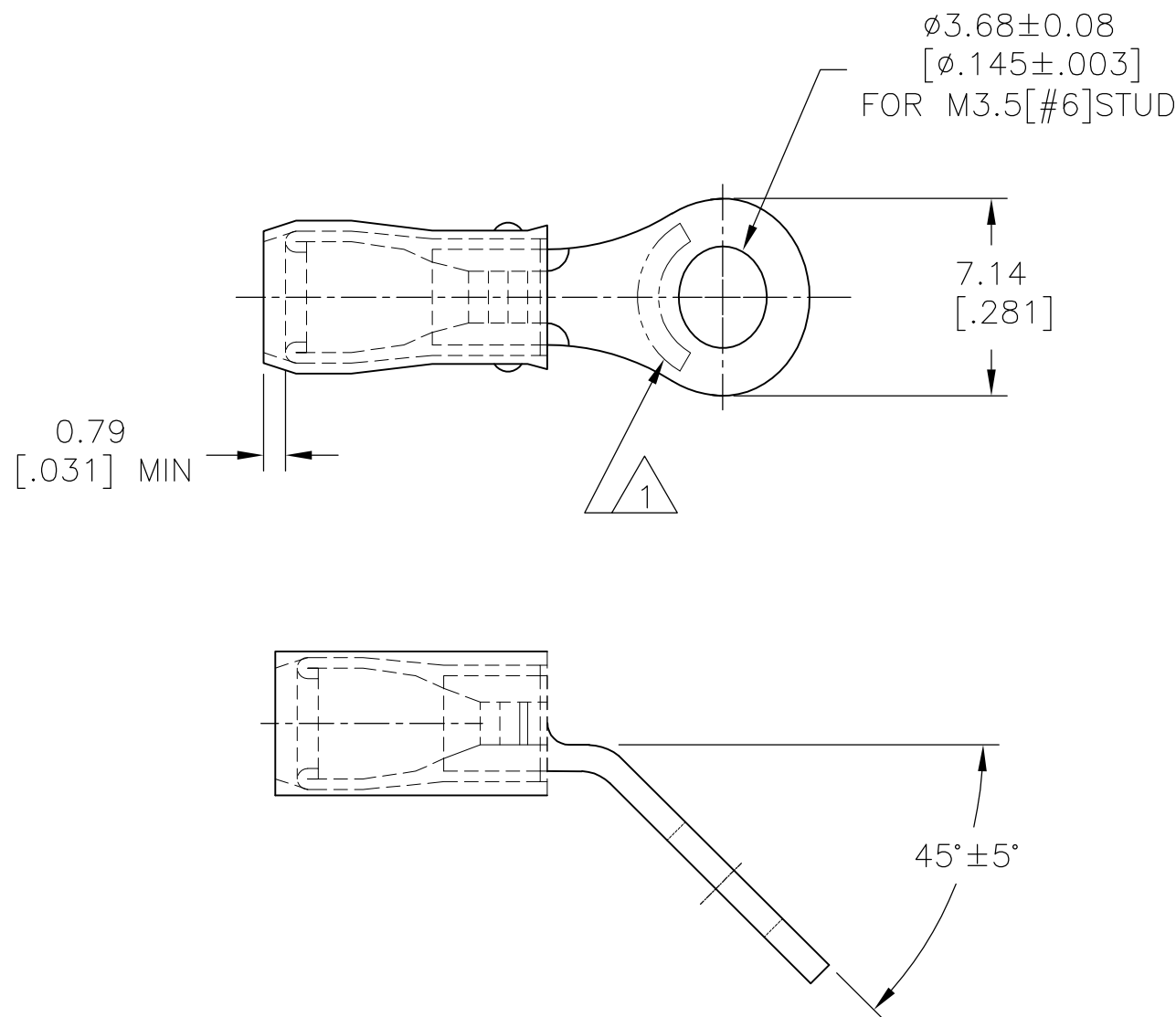


THIS DRAWING IS UNPUBLISHED. RELEASED FOR PUBLICATION
 © COPYRIGHT - By - ALL RIGHTS RESERVED.

LOC	DIST	REVISIONS			
P	LTR	DESCRIPTION	DATE	DWN	APVD
G	14	1	NEW DRAWING PER ECO-13-005557	29MAR2013	KH DR



AMP
WIRE RANGE

22-16 AWG
SOLID OR STRANDED

- 1 STAMP AMP 22-18* APPROX AS SHOWN
22-16 TERMINALS ARE STAMPED 22-18 IN ACCORDANCE WITH MILITARY SPEC SAE AS 7928
COMMERCIAL WIRE RANGE IS 22-16
- 2 WIRE INSULATION DIA: 2.03-3.18[.080 - .125]
- 3 TONGUE MATERIAL THK: 0.79±0.05 [.031±0.002]

PRELIMINARY - NOT RELEASED FOR PRODUCTION

1000	LOOSE PIECE	1958453-1
QUANTITY	PACKAGE TYPE	PART NO

AMP INCORPORATED CUSTOMER SERVICE SYSTEMS		MAX RECOMMENDED OPERATING TEMPERATURE: 105°C[221°F] MAX
FOR ADDITIONAL PRODUCT INFORMATION OR COPIES OF DRAWINGS AND TECHNICAL DOCUMENTS	PRODUCT INFORMATION CENTER 1-800-522-6752	VOLTAGE RATING: 300 V MAX
FOR APPLICATION TOOLING INFORMATION	TOOLING ASSISTANCE CENTER 1-800-722-1111	WIRE CROSS SECTIONAL AREA RANGE: 0.26-1.65mm ² [509-3,260] CIR MILS SOLID OR STRANDED
FOR ORDER ENTRY	1-800-526-5142	

THIS DRAWING IS A CONTROLLED DOCUMENT.	
DIMENSIONS: mm [INCHES]	TOLERANCES UNLESS OTHERWISE SPECIFIED:
	0 PLC ± - 1 PLC ± - 2 PLC ± 0.20[.008] 3 PLC ± - 4 PLC ± - ANGLES ± -
MATERIAL COPPER ASTM B-152 SLEEVE, RED NYLON	FINISH TIN PLATE ASTM B545

DWN KIRAN HOLAL 29MAR2013	TE Connectivity NAME TERMINAL, RING TONGUE, PIDG™ WIRE SIZE, 22- 16 AWG, 45 DEG BEND	SIZE	CAGE CODE	DRAWING NO	RESTRICTED TO	
CHK ROHDE DANIEL 29MAR2013		A3	00779	C-1958453	-	
APVD ROHDE DANIEL 29MAR2013		WEIGHT	-	SCALE	4:1	SHEET
PRODUCT SPEC		CUSTOMER DRAWING		1 OF 1	REV	1