

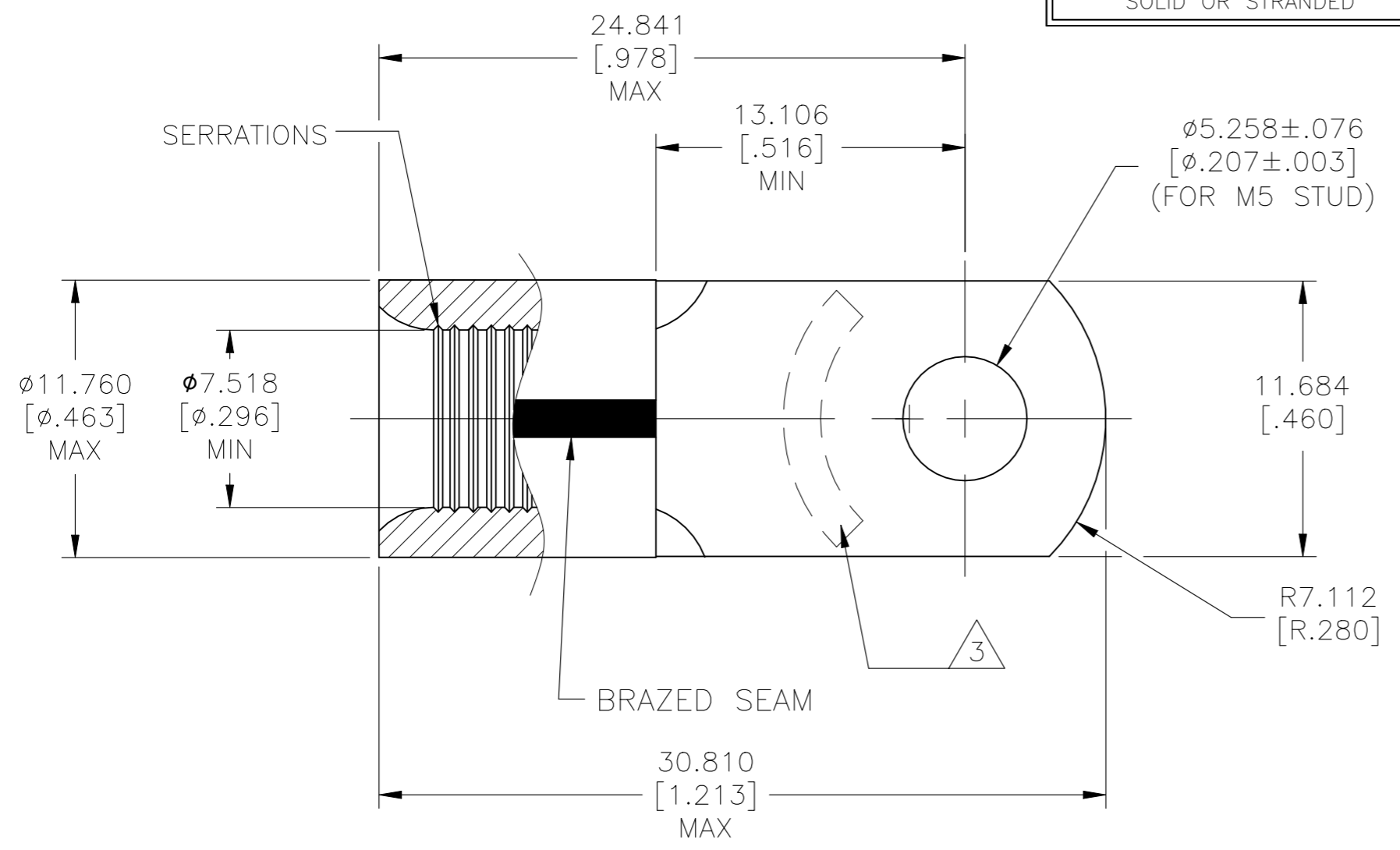
© - TE Connectivity. All Rights Reserved.

REVISIONS

P	LTR	DESCRIPTION	DATE	DWN	APVD
	A2	REVISED PER ECR-22-144422	02MAR2023	LP	DSC

AMP
WIRE RANGE

4 AWG
SOLID OR STRANDED



- 1 WIRE SIZE IS #4 AWG
- 2 MATERIAL THK: 1.778±0.076[.070±.003]
- 3 STAMP AMP 4 APPROX AS SHOWN.
- 4 MATERIAL:
COPPER PER ASTM B152, ANNEALED
- 5 FINISH:
NICKEL PLATE 0.00762[.000300] MIN EXT THK PER
SAE AMS-QQ-N-290

100	LOOSE PIECE	1958388-1
QTY	PACKAGE TYPE	PART NO.

AMP INCORPORATED CUSTOMER SERVICE SYSTEMS	
FOR ADDITIONAL PRODUCT INFORMATION OR COPIES OF DRAWINGS AND TECHNICAL DOCUMENTS	PRODUCT INFORMATION CENTER 1-800-522-6752
FOR APPLICATION TOOLING INFORMATION	TOOLING ASSISTANCE CENTER 1-800-722-1111
FOR ORDER ENTRY	1-800-526-5142

MAX RECOMMENDED OPERATING TEMPERATURE: 343°C [650°F]
VOLTAGE RATING: N/A
CIRCULAR MIL AREA: 16.8-26.7mm² [33,100-52,600] SOLID OR STRANDED

THIS DRAWING IS A CONTROLLED DOCUMENT.	
DIMENSIONS: mm [INCHES]	TOLERANCES UNLESS OTHERWISE SPECIFIED:
	0 PLC ± -
	1 PLC ± -
	2 PLC ± -
	3 PLC ± 0.127[.005]
	4 PLC ± -
	ANGLES ± -
MATERIAL	FINISH
4	5

DWN RAGHAVENDRA	01FEB11
CHK ROHDE DANIEL	01FEB11
APVD ROHDE DANIEL	01FEB11
PRODUCT SPEC	108-32046
APPLICATION SPEC	114-2162
WEIGHT	-

STE TE Connectivity			
NAME TERMINAL, RING TONGUE, STRATO-THERM, HR, WIRE SIZE: 4 AWG			
SIZE	CAGE CODE	DRAWING NO	RESTRICTED TO
A3	00779	C-1958388	-
CUSTOMER DRAWING		SCALE 2:1	SHEET 1 OF 1
		REV A2	