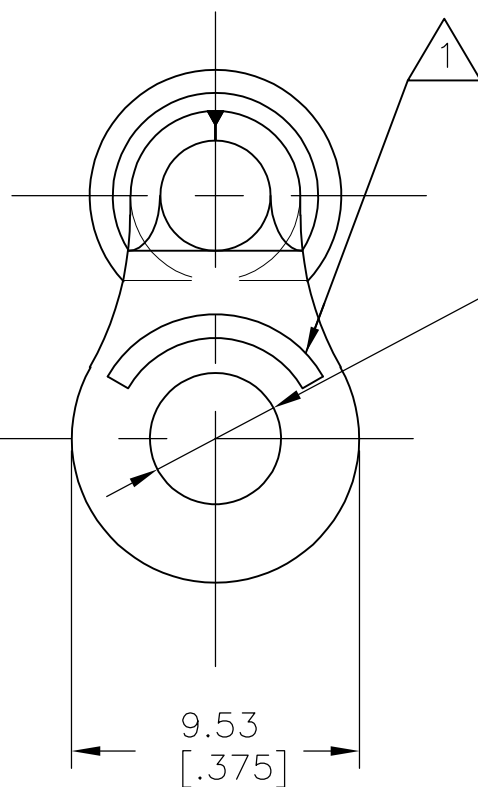
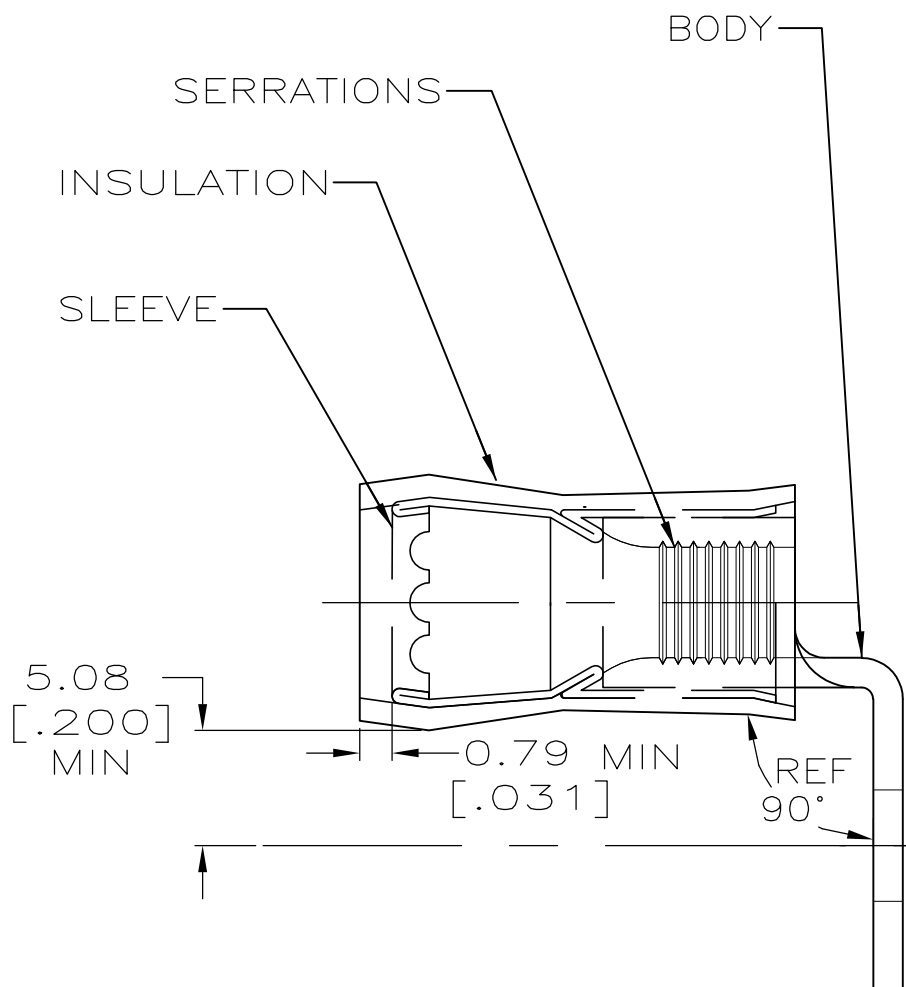


THIS DRAWING IS UNPUBLISHED. RELEASED FOR PUBLICATION
 © COPYRIGHT - BY TYCO ELECTRONICS CORPORATION. ALL INTERNATIONAL RIGHTS RESERVED.

| LOC | DIST | REVISIONS | | | | | |
|-----|------|-----------|-----|-------------|------|-----|------|
| | | P | LTR | DESCRIPTION | DATE | DWN | APVD |
| G | 14 | | 1 | PROPOSED | - | - | - |



- 1 STAMP AMP 12-10* APPROX AS SHOWN
- 2. WIRE INSUL DIA, 3.81-6.35 [.150-.250]
- 3. TONGUE MATL THK, 0.99±0.05 [.039±.002]
- 4. AMP TESTED AND CONFORMS TO UL486A-486B BUT NOT SUBMITTED TO UL FOR APPROVAL
- 5 BODY & SLEEVE: COPPER PER ASTM B152 INSULATION: NYLON
- 6 BODY & SLEEVE: TIN PL PER ASTM B545 INSULATION: COLOR-YELLOW
- 7 PRELIMINARY - NOT FOR PRODUCTION

| | | |
|-----|--------------|-------------|
| 500 | LOOSE PIECE | 7 1958340-1 |
| QTY | PACKAGE TYPE | PART NO |

| | | | | |
|--|--|----------------------------|--|--|
| MAX RECOMMENDED OPERATING TEMPERATURE: 105°C [221°F] | THIS DRAWING IS A CONTROLLED DOCUMENT. | | DWN JR RUTH 08MAR10 | Tyco Electronics Corporation Harrisburg, PA 17105-3608 |
| | VOLTAGE RATING: 300 V MAX | DIMENSIONS: mm [INCHES] | TOLERANCES UNLESS OTHERWISE SPECIFIED: | |
| CIRCULAR MIL AREA: 2.62-6.64mm² [5,180-13,100] SOLID OR STRANDED | | 0 PLC ± - | APVD T MICHELUTTI 08MAR10 | NAME TERMINAL, RING TONGUE, BENT 90, PIDG, WIRE SIZE, 12-10, |
| | | 1 PLC ± - | PRODUCT SPEC | |
| | | 2 PLC ± 0.20 [.008] | APPLICATION SPEC | SIZE A3 |
| | | 3 PLC ± - | 114-2157 | CAGE CODE 00779 |
| | | 4 PLC ± - | WEIGHT - | DRAWING NO G-1958340 |
| | | 4 PLC ANGLES ± - | CUSTOMER DRAWING | RESTRICTED TO - |
| | | FINISH | SCALE 6:1 | SHEET 1 OF 1 |
| | | MATERIAL - 5 | | REV 1 |
| | | | | |