

THIS DRAWING IS UNPUBLISHED. RELEASED FOR PUBLICATION
 © COPYRIGHT - By - ALL RIGHTS RESERVED.

LOC	DIST	REVISIONS					
G	14	P	LTR	DESCRIPTION	DATE	DWN	APVD
			A	REVISED PER ECO-12-004650	08MAR12	KH	DR

AMP
WIRE RANGE

8 AWG
STRANDED

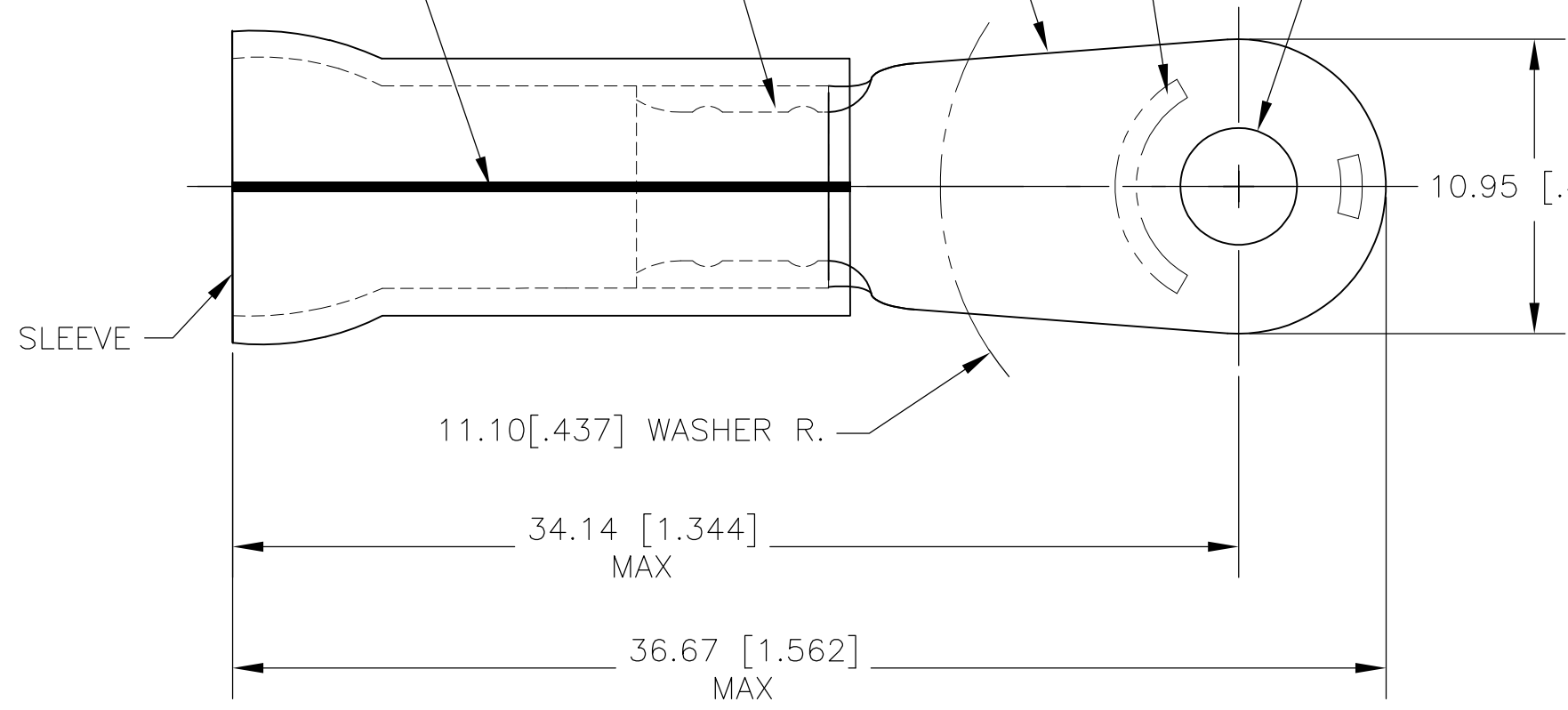
2 STRIPES (180° APART)
COLOR; RED

DIMPLED
SURFACE

BODY

$\phi 4.34 \pm 0.08$ [$\phi .171 \pm .003$]
FOR #8 STUD

- 1 STAMP AMP 8*, LOCATE APPROX AS SHOWN.
- 2 TONGUE MATERIAL THK 1.02 ± 0.08 [$.040 \pm .003$].
- 3 WIRE INSULATION DIA 9.65 [.380] MAX.
- 4 FINISH,
BODY - TIN/LEAD (93-7) PLATE PER ASTM B545
SLEEVE - COLOR - NATURAL
- 5 MATERIAL,
BODY - COPPER PER ASTM B-152
SLEEVE - PVF2
- 6 NOTE DELETED



100	LOOSE PIECE	1958165-1
QTY	PACKAGE TYPE	PART NO

AMP INCORPORATED CUSTOMER SERVICE SYSTEMS		MAX RECOMMENDED OPERATING TEMPERATURE: 150°C	THIS DRAWING IS A CONTROLLED DOCUMENT.		DWN jr_ruth 04OCT07	STE TE Connectivity			
FOR ADDITIONAL PRODUCT INFORMATION OR COPIES OF DRAWINGS AND TECHNICAL DOCUMENTS	PRODUCT INFORMATION CENTER 1-800-522-6752	VOLTAGE RATING: 600 V MAX	DIMENSIONS: MM [INCHES]	TOLERANCES UNLESS OTHERWISE SPECIFIED:	CHK T MICHELUTTI 04OCT07				NAME T MICHELUTTI 04OCT07
FOR APPLICATION TOOLING INFORMATION	TOOLING ASSISTANCE CENTER 1-800-722-1111	CIRCULAR MIL AREA: 6.64-10.54mm ² [13,100-20,800] STRANDED		0 PLC ± - 1 PLC ± - 2 PLC ± 0.25 [.008] 3 PLC ± - 4 PLC ± - ANGLES ± 5°	APVD T MICHELUTTI 04OCT07	PRODUCT SPEC -			
FOR ORDER ENTRY	1-800-526-5142	THIS DRAWING IS A CONTROLLED DOCUMENT FOR AMP INCORPORATED. IT IS SUBJECT TO CHANGE AND THE CONTROLLING ENGINEERING ORGANIZATION SHOULD BE CONTACTED FOR THE LATEST REVISION.	MATERIAL	FINISH	APPLICATION SPEC -	SIZE A3	CAGE CODE 00779	DRAWING NO C-1958165	RESTRICTED TO -
					CUSTOMER DRAWING	SCALE 4:1	SHEET 1 OF 1	REV A	