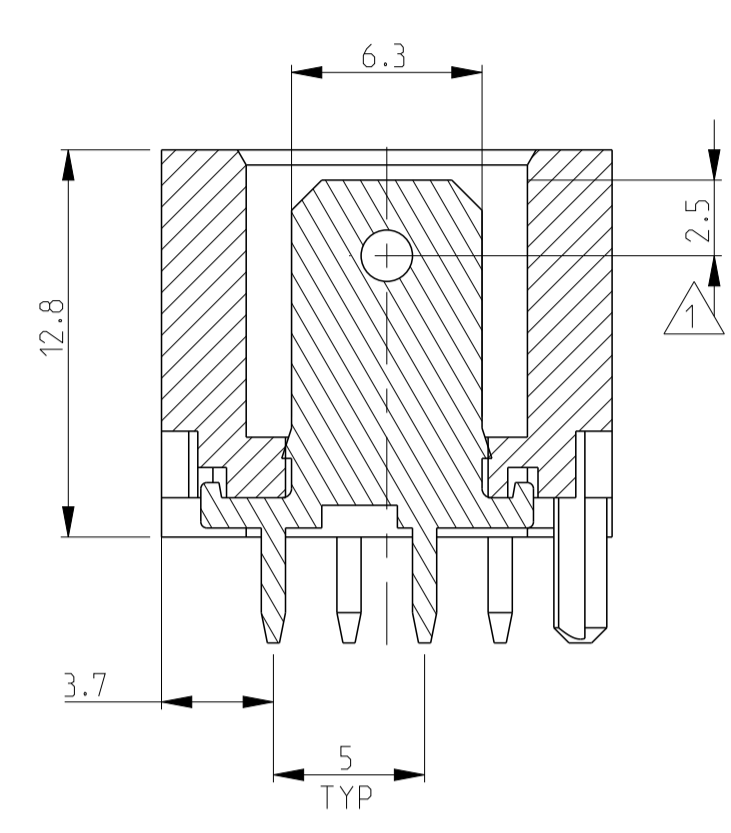
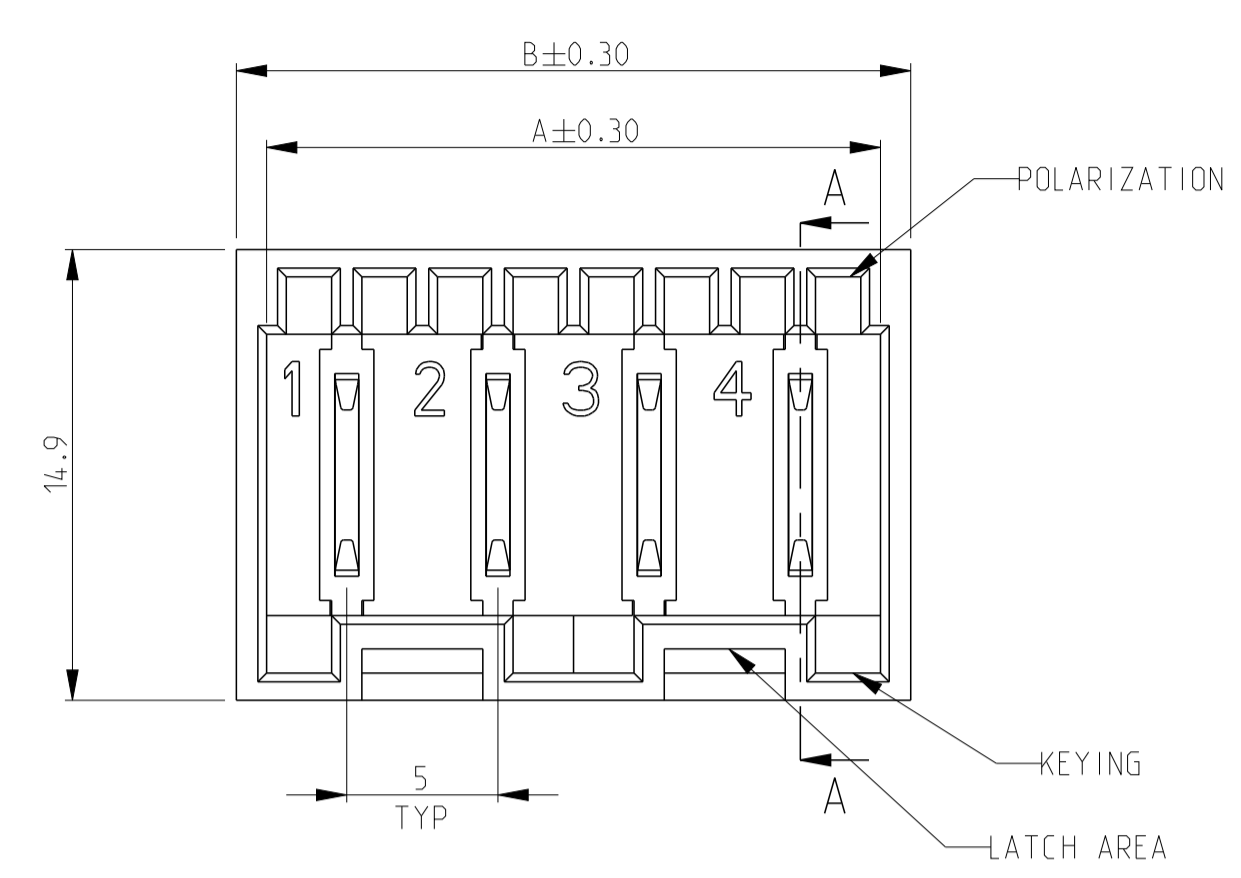
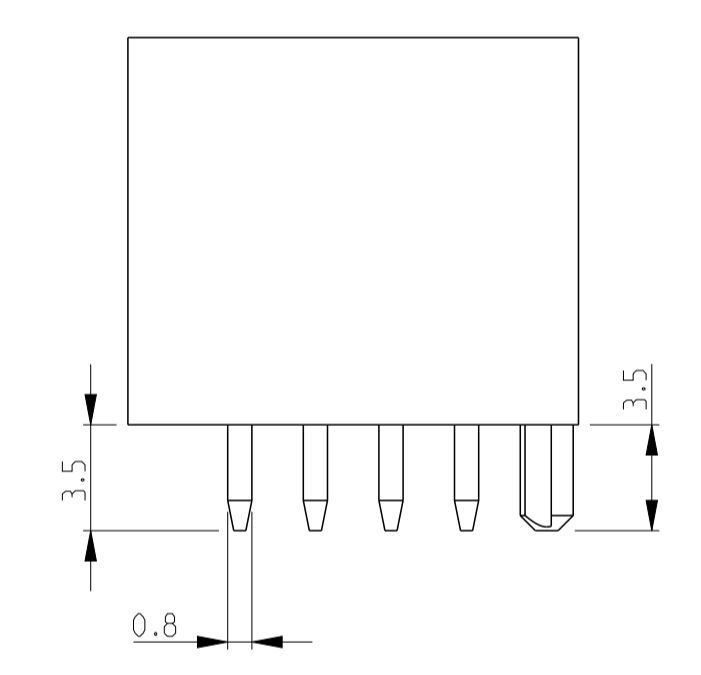
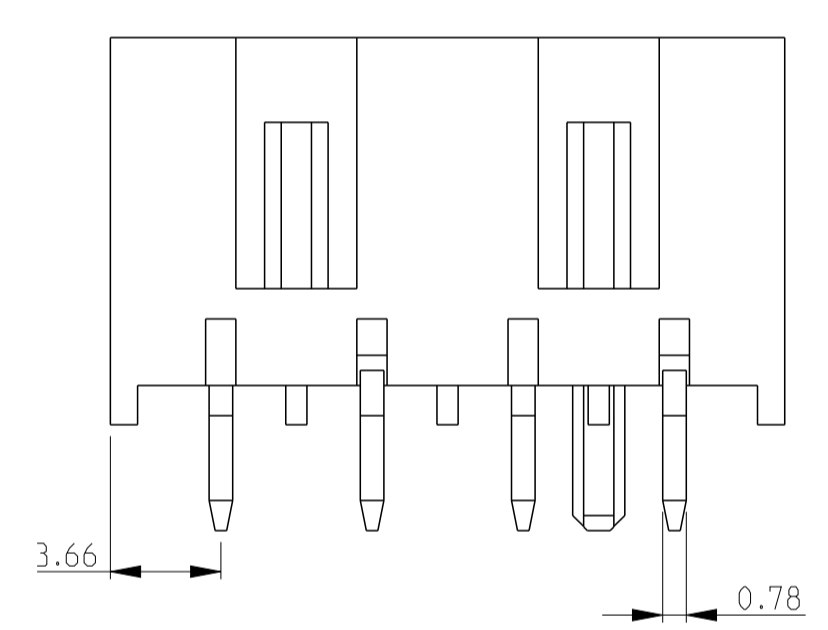


LOC		DIST		REVISIONS			
P	LTN	DESCRIPTION	DATE	DMN	APVD		
2		ECR-12-020508	28NOV2012	C.J	R.P		

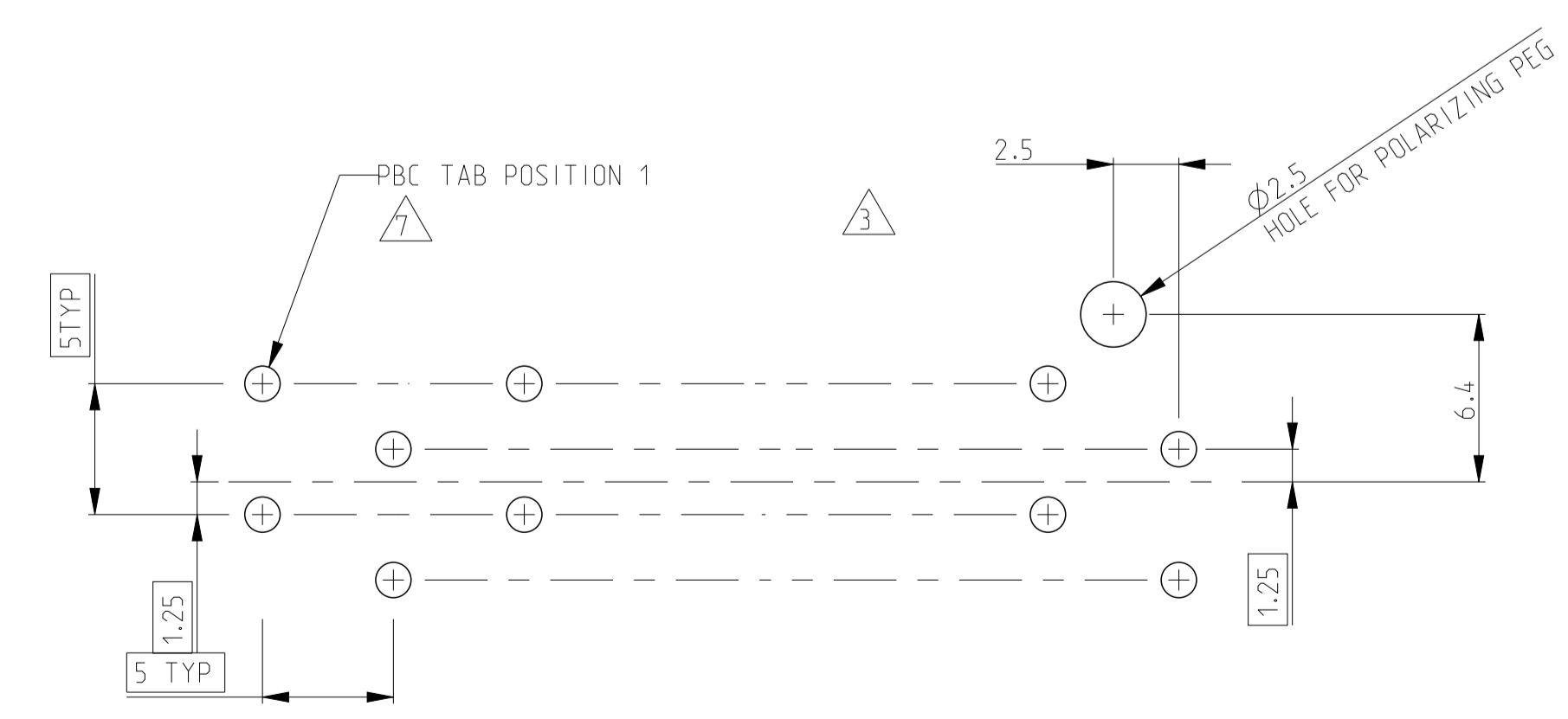


SECTION A-A
SCALE 4:1

- 1 HOUSING HAS RAST 5 COMPLIANT KEYING, LATCHING, AND POLARIZATION. TAB IS 6.3 x 0.8 [248 x .032]. HOW EVER THE LOCATION OF TAB HOLE DOES NOT MEET DIN 46244.
- 2 POSSIBLE MATING CONNECTOR FAMILIES INCLUDE STANDARD TIMER RAST 5, MULTIFITTING, MULTIFITTING MKII, AND MONO-SHAPE TAB CONNECTORS.
- 3 DIMENSION OFF OF LAST POSITION REGARDLESS OF EVEN OR ODD POSITION CONNECTOR.
- 4 MATERIAL: HOUSING, NYLON 66, UL 94V-0. CONTACT, BRASS, 0.8 mm THICK.
- 5 FINISH: CONTACTS, 2µm MIN SILVER OVER 1.3µm MIN NICKEL.
- 6 FINISH: CONTACTS, 3.8µm MIN TIN OVER 1.3µm MIN NICKEL.
- 7 PCB TABS INSERTED IN A STAGGERED PATTERN BEGINNING WITH POSITION 1.
- 8 SELECTED HOLES MAY BE 1.05+0.05/-0.00 DIA [1.041+.002/-0.001 DIA] FOR IMPROVED (PRESS-FIT) RETENTION TO P.C.B. PRIOR TO SOLDERING.
- 9 PRELIMINARY - NOT FOR PRODUCTION.
- 10 PREPRODUCTION - FASR REQUIRED



THIS PRINT IS
PRELIMINARY
 UNQUALIFIED PRODUCT
 CONTACT PRODUCT ENGINEERING
 BEFORE USING THIS PRINT

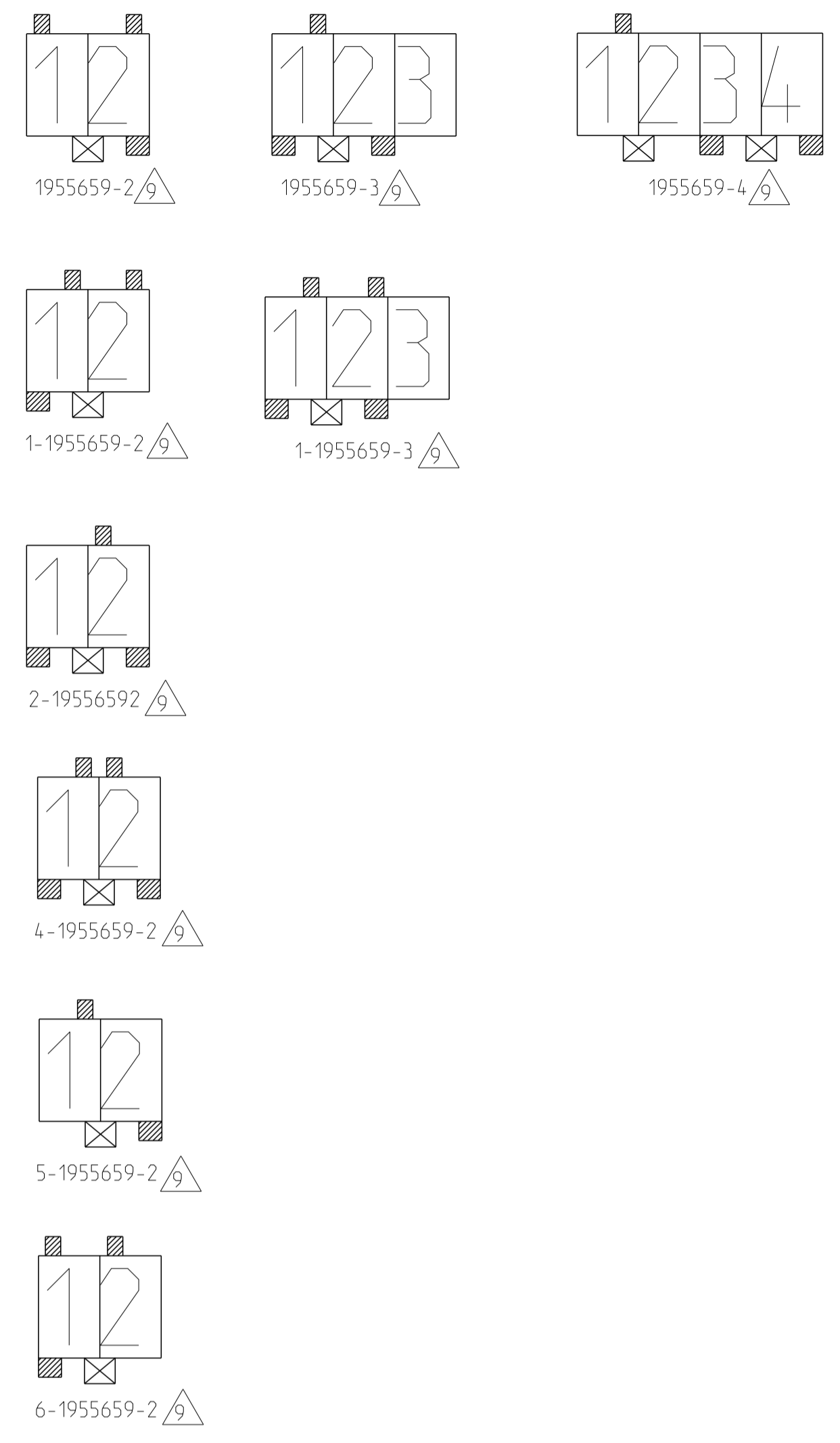


PCB LAYOUT - COMPONENT SIDE
 PCB 1.5±0.2 [1.059±.007] THICK
 SCALE 4:1

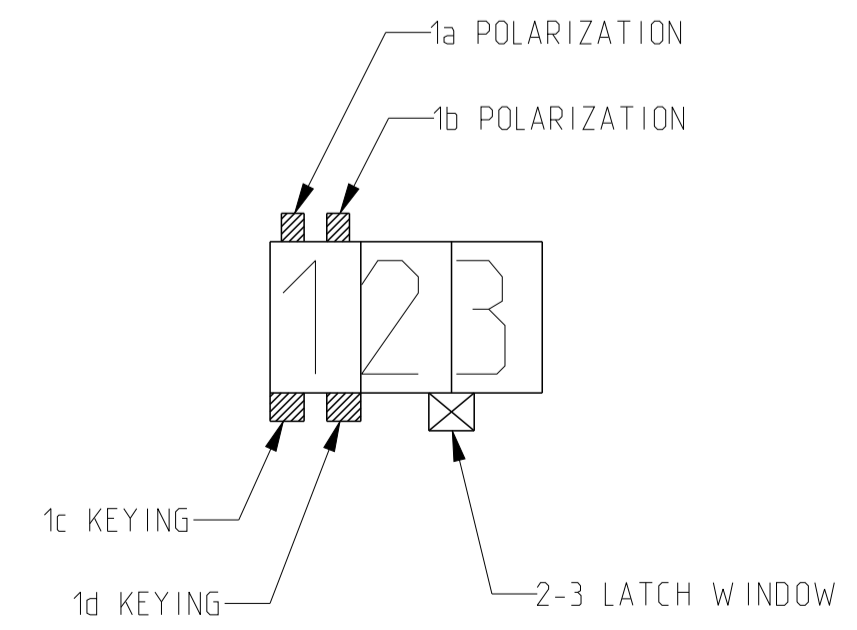
22.3	20.3	4
17.3	15.3	3
12.3	10.3	2
B	A	NO. OF POS.

DIMENSIONS:		TOLERANCES UNLESS OTHERWISE SPECIFIED:		APVD		NAME	
mm	[INCHES]	0 PLC	±	DMN	18May2012	Assembly Positive Lock RAST 5 Special Version, Vertical	
		1 PLC	±	CHK	18May2012	TE Connectivity	
		2 PLC	±0.25(.010)	APVD	18May2012	Rajendra.P	
		3 PLC	±	PRODUCT SPEC		108-2183	
		4 PLC	±	APPLICATION SPEC		-	
		ANGLES	±	SIZE		-	
		FINISH	±	CAGE CODE		-	
MATERIAL	SEE TABLE	WEIGHT	-	DRAWING NO		-	
		Customer Drawing		SCALE	4:1	SHEET	1 OF 2
				REV	2		

LOC	DIST	REVISIONS			
P	LTN	DESCRIPTION	DATE	DWN	APVD
-	-	SEE SHEET 1	-	-	-



THIS PRINT IS
PRELIMINARY
 UNQUALIFIED PRODUCT
 CONTACT PRODUCT ENGINEERING
 BEFORE USING THIS PRINT



PICTORIAL VIEW KEY

△5	FULLY LOADED	1-2,3-4	3c,4d	1b	4	04-A	△9	1955659-4
△5	FULLY LOADED	1-2	1c,2d	1b,2b	3	-	△9	1-1955659-3
△5	FULLY LOADED	1-2	1c,2d	1b	3	03-A	△9	1955659-3
△5	FULLY LOADED	1-2	1c	1a,2a	2	02-K	△9	6-1955659-2
△5	FULLY LOADED	1-2	2d	1b	2	-	△9	5-1955659-2
△5	FULLY LOADED	1-2	1c,2d	1b,2a	2	02-A	△9	4-1955659-2
△5	FULLY LOADED	1-2	1c,2d	2a	2	02-C	△9	2-1955659-2
△5	FULLY LOADED	1-2	1c	1b,2b	2	02-I	△9	1-1955659-2
△5	FULLY LOADED	1-2	2d	1a,2b	2	02-E	△9	1955659-2
FINISH	LOADED TAB POSITIONS	LATCH WINDOWS	KEYING	POLAR.	NO. OF POS.	RAST 5 DESIG.	PART NUMBER	

THIS DRAWING IS A CONTROLLED DOCUMENT.

DIMENSIONS: mm INCHES	TOLERANCES UNLESS OTHERWISE SPECIFIED: 0 PLC ± 1 PLC ± 2 PLC ±0.25(.010) 3 PLC ± 4 PLC ± ANGLES ± FINISH SEE TABLE	DWN: Chelhan.J 18May2012 CHK: Rajendra.P 18May2012 APVD: Rajendra.P 18May2012 PRODUCT SPEC: 108-2183 APPLICATION SPEC: - MATERIAL: - WEIGHT: - Customer Drawing	NAME: Assembly Positive Lock RAST 5 Special Version, Vertical SIZE: A1 CAGE CODE: 00779 DRAWING NO: ©=1955659 RESTRICTED TO: - SCALE: 4:1 SHEET: 2 OF 2 REV: 2
--------------------------	---	--	---

TE Connectivity