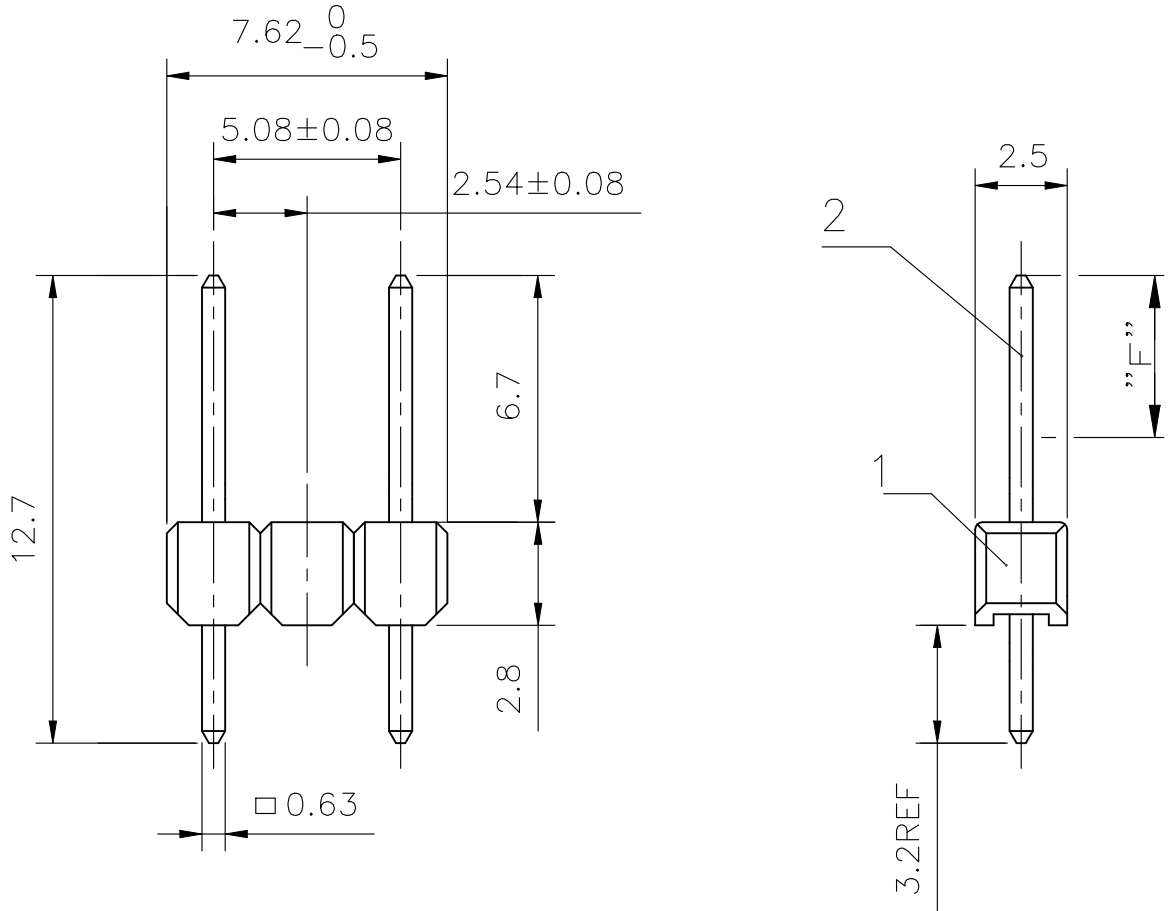
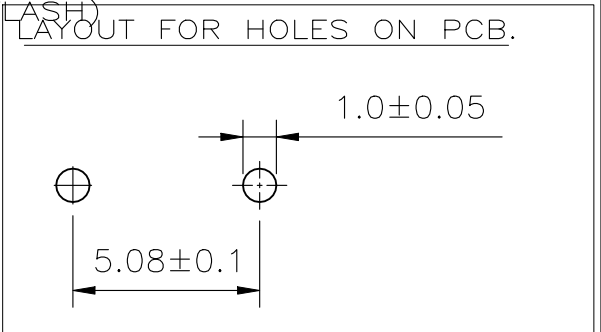


REVISIONS				
P	LTR	DESCRIPTION	DATE	APVD
	B1	NOTE 1 0.76μm PLATING UPDATE (PdNi+AuFLASH)	11JUL2023	BGC PS



⚠ MATING SIDE: Min 0.76μm (PdNi + Au FLASH)  
 IN ZONE "F" OVER Min 1.27μm Ni  
 (Alternative plating – Min 0.76μm Au  
 OVER Min 1.27μm Ni)  
 SOLDER SIDE: 3.0–5.0μm TIN  
 OVER Min 1.27μm NICKEL



1955426-3 as show

⚠	CuZn	CONTACT PIN	2
COLOR:GREEN	PBT GF	PIN HOUSING	1
FINISH	MATERIAL	DESCRIPTION	ITEM

TE Connectivity. All Rights Reserved.

© 2009

©

DIMENSIONS: mm	DWN SREEDHARA	15SEP2009	MATERIAL SEE TABLE	FINISH SEE TABLE
	CHK PREMJITH	15SEP2009	TE Connectivity	
TOLERANCES UNLESS OTHERWISE SPECIFIED: ±0.15	APVD M WESTEN	15SEP2009		
	PRODUCT SPEC 108-18012			
0 PLC ± - 1 PLC ± - 2 PLC ± - 3 PLC ± - 4 PLC ± - ANGLES ± -	APPLICATION SPEC 114-25011		SIZE A4	CAGE CODE 00779
	WEIGHT -		DRAWING NO C-1955426	RESTRICTED TO -
	CUSTOMER DRAWING			SCALE 4:1
			REV B1	