

REVISONS		DATE	DRW	APVD
P	LTR	DESCRIPTION		
A2	ECR-13-002027		06FEB2013	SK VV
A3	ECR-13-019406		12DEC2013	GSM SMJ

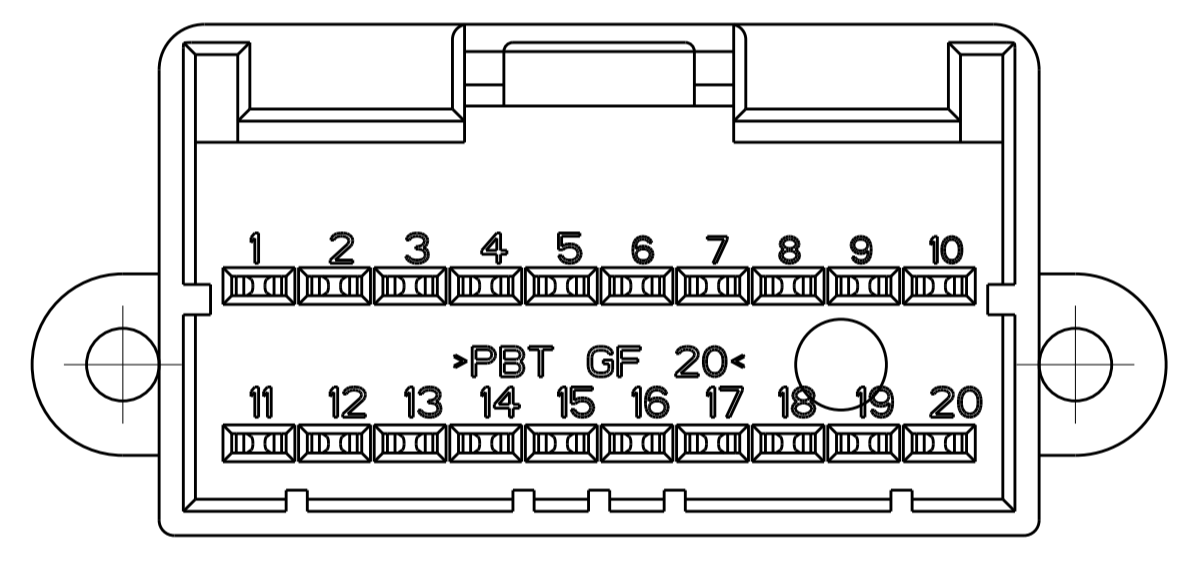
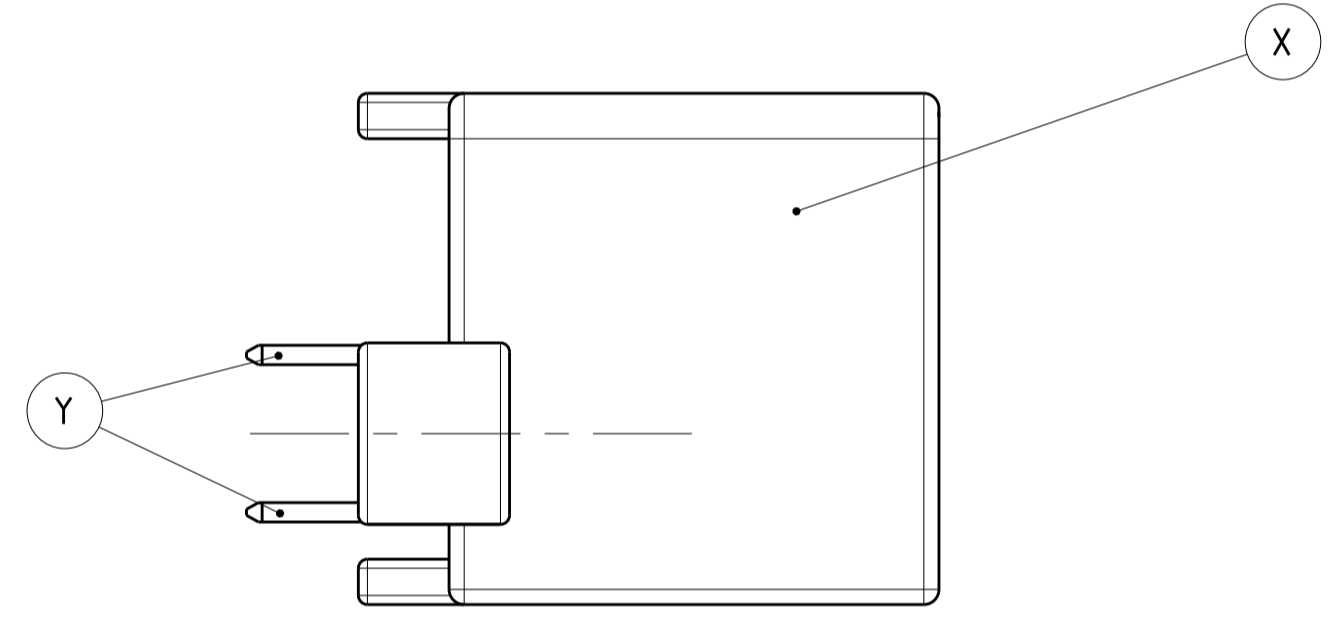
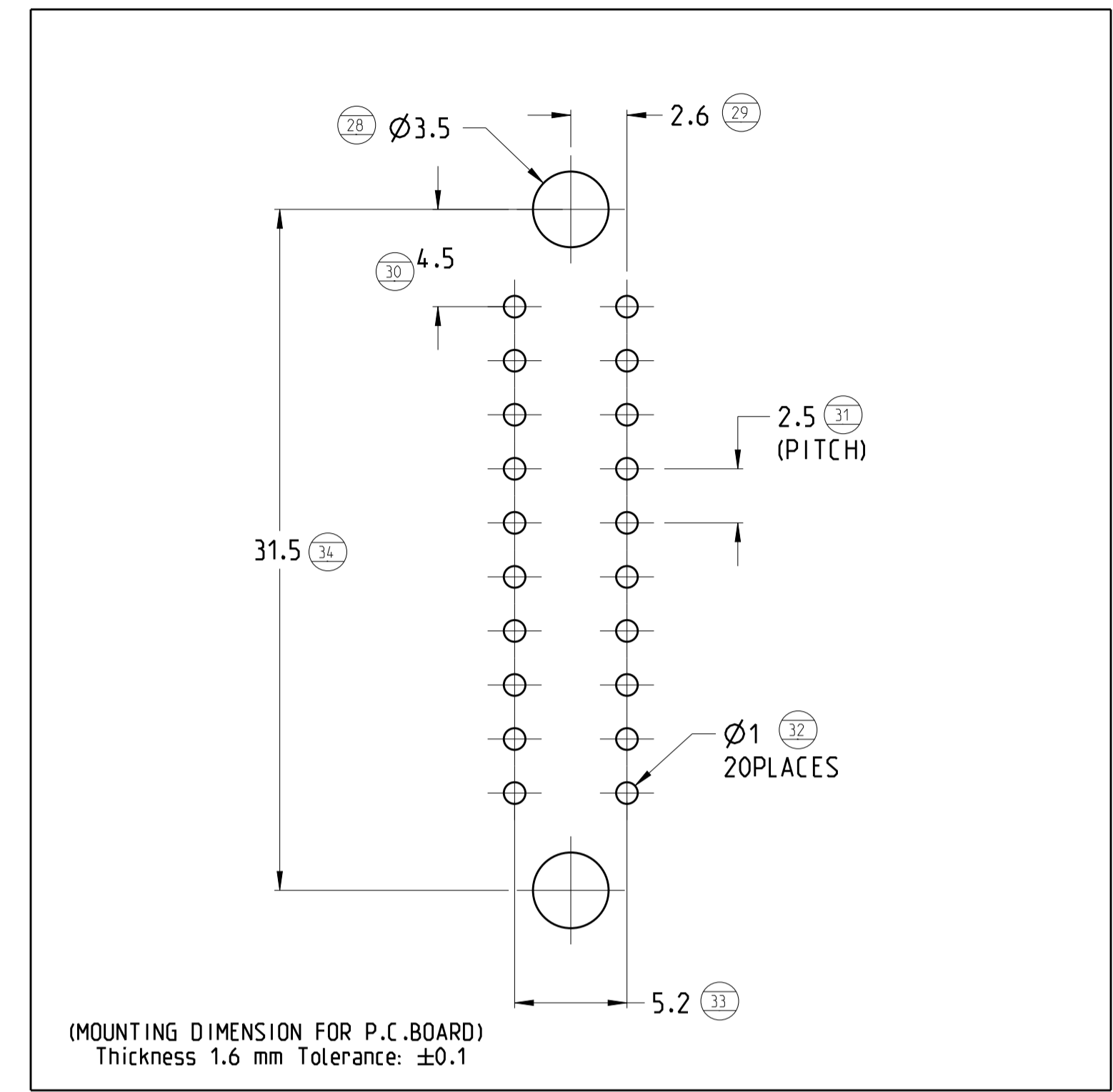
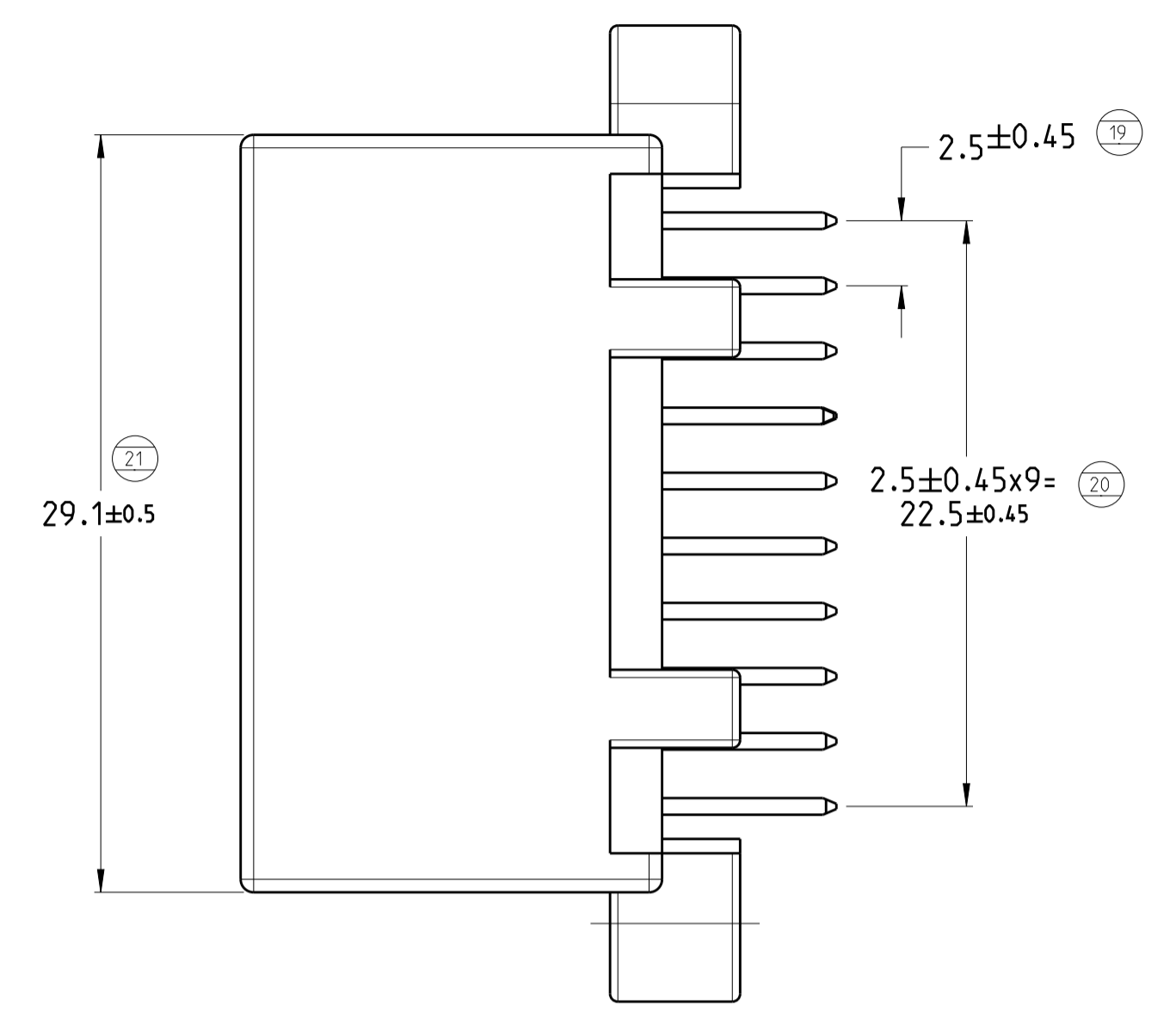
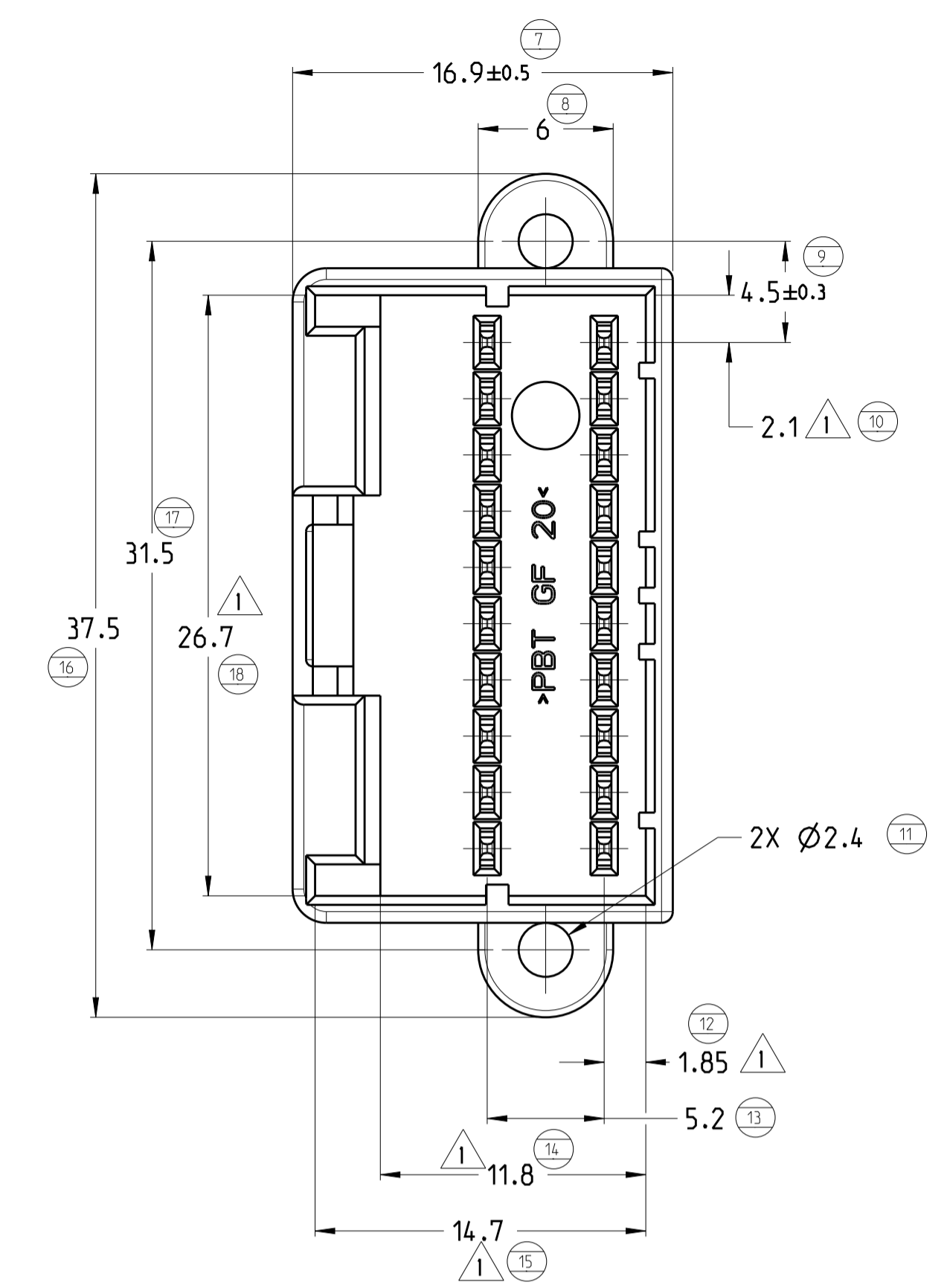
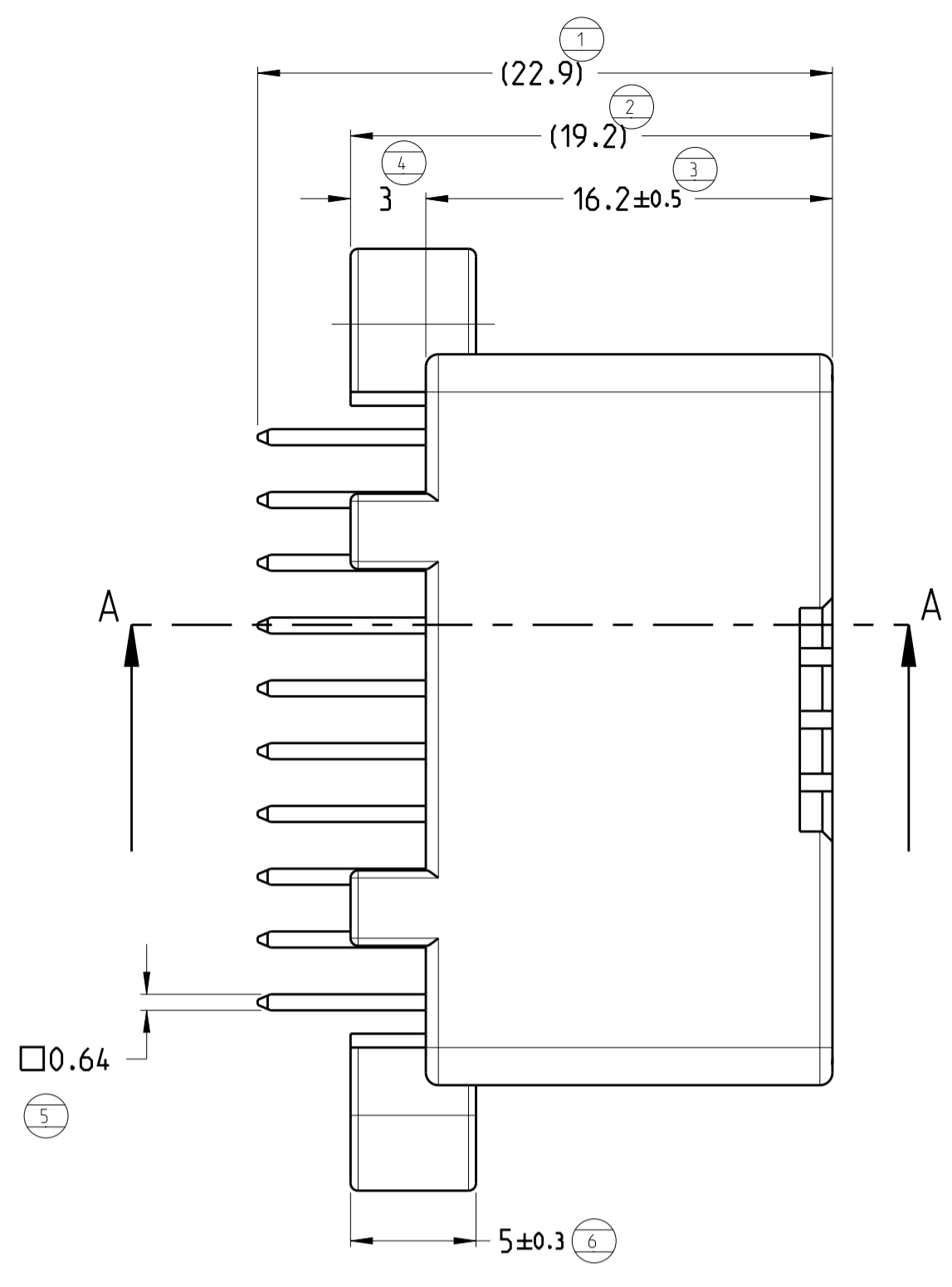
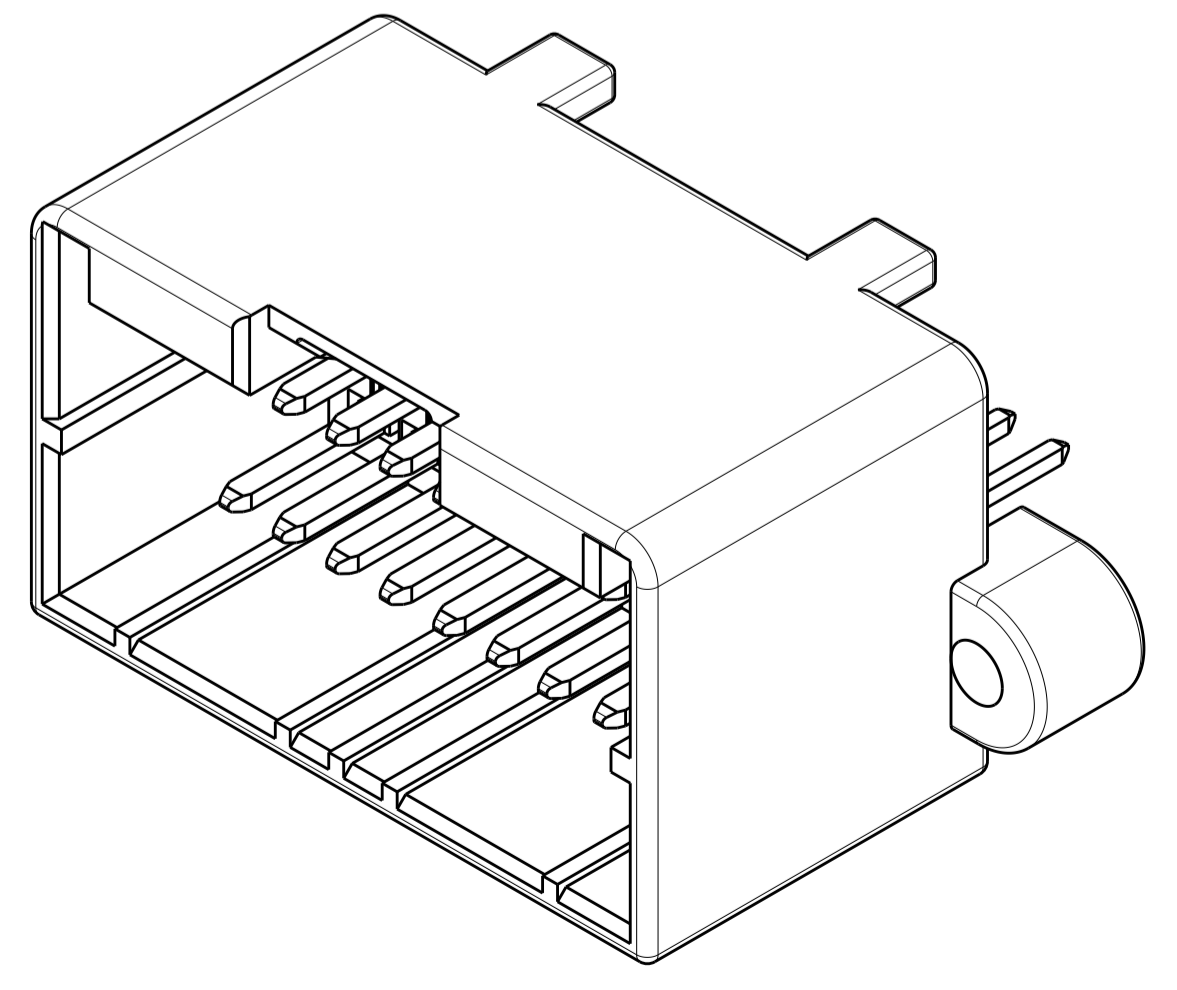
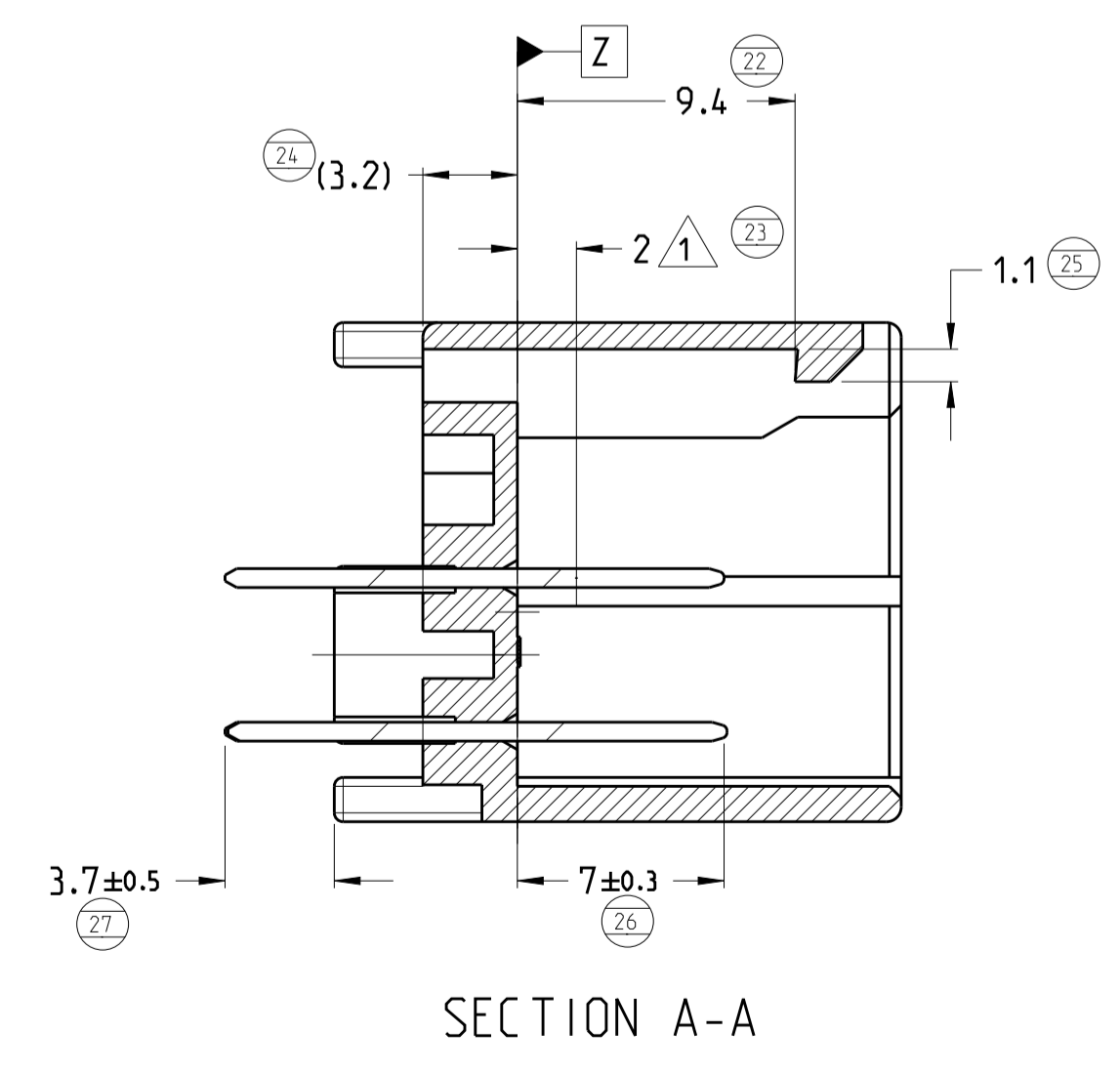


FIG 1



- NOTE:
- TO BE MEASURED WITHIN 2mm FROM [-Z-].
 - NO CRACKS PERMISSIBLE
 - PRODUCT IS SIMILAR TO PART NUMBER 1438720-X
 - RECOMMENDED MOUNTING SCREW : 3mm DIA. 6mm LENGTH TAPING SCREW SPECIFIED IN JIS B1115.B1122. (TIGHTENING TORQUE:0.8N-M MAX.)
 - CIRCUIT NUMBER; SEE FIG 1
 - INDIA HOUSING
 - JAPAN HOUSING
 - THE MATING PART NUMBER : 174047
 - TAB RETENTION FORCE 2.0 kgf MIN (19.6 N Min).

A3	Non-Returnable (Expendable) in Tube and Carton	20	Y	Brass	Selective - Tin	040 TAB SELECTIVE-TIN(BRT/MATTE)	20 POS CAP HSG ASSEMBLY, VERT TYPE, .040	1-1952060-2	7
		1	X	PBT GF-30	Black	040 MLC CAP HSG V 20P			
		20	Y	Brass	Selective - Tin	040 TAB SELECTIVE-TIN(BRT/MATTE)	20P CAP HSG ASSY (Vertical) YEL	1-1952060-0	6
		1	X	PBT GF-20	Yellow	20 POS. CAP HOUSING (VERTICAL-TYPE)YELLO			
		20	Y	Brass	Selective - Tin	040 TAB SELECTIVE-TIN(BRT/MATTE)	20P CAP HSG ASSY (Vertical) BLU	1952060-8	5
		1	X	PBT GF-20	Blue	20 POS. CAP HOUSING (VERTICAL-TYPE) BLUE			
		20	Y	Brass	Selective - Tin	040 TAB SELECTIVE-TIN(BRT/MATTE)	20P CAP HSG ASSY (Vertical) RED	1952060-6	4
		1	X	PBT GF-20	Red	20 POS. CAP HOUSING (VERTICAL-TYPE) RED			
		20	Y	Brass	Selective - Tin	040 TAB SELECTIVE-TIN(BRT/MATTE)	20P CAP HSG ASSY (Vertical) BLK	1952060-4	3
		1	X	PBT GF-20	Black	20 POS. CAP HOUSING (VERTICAL-TYPE) BLK			
		20	Y	Brass	Pre Tin	040 MLC TAB CONT V TYPE	20 POS CAP HSG ASSEMBLY, VERT TYPE, .040	1952060-2	2
		1	X	PBT GF-30	Black	040 MLC CAP HSG V 20P			
		20	Y	Brass	Selective - Tin	040 TAB SELECTIVE-TIN(BRT/MATTE)	20 POS CAP HSG ASSEMBLY, VERT TYPE, .040	1952060-1	1
		1	X	PBT GF-30	Black	040 MLC CAP HSG V 20P			
A3	Packaging	Quantity	Item Number	Material	Color / Finish	Part Description	ASSY Description	Assembly Part Number	SL. Number

THIS DRAWING IS A CONTROLLED DOCUMENT. DWG: ASHWATH. B.S 14 JUL 2010
 CHK: VINOD VISWANATH 14 JUL 2010
 APVD: VINOD VISWANATH 14 JUL 2010

DIMENSIONS: mm	TOLERANCES UNLESS OTHERWISE SPECIFIED:	NAME: 040 SERIES MULTI-LOCK 1/0 CONN. 20Pos. CAP HSG ASSY (VERTICAL TYPE)
0 PLC ± 0.5	1 PLC ± 0.2	PRODUCT SPEC: 108-5244
2 PLC ± 0.1	3 PLC ± 0.1	APPLICATION SPEC
4 PLC ±	ANGLES ±	SIZE: A1
FINISH SEE TABLE	WEIGHT: 5.9 g	CAGE CODE: 1952060

Customer Drawing SCALE: 4:1 SHEET 1 OF 1 REV: A3