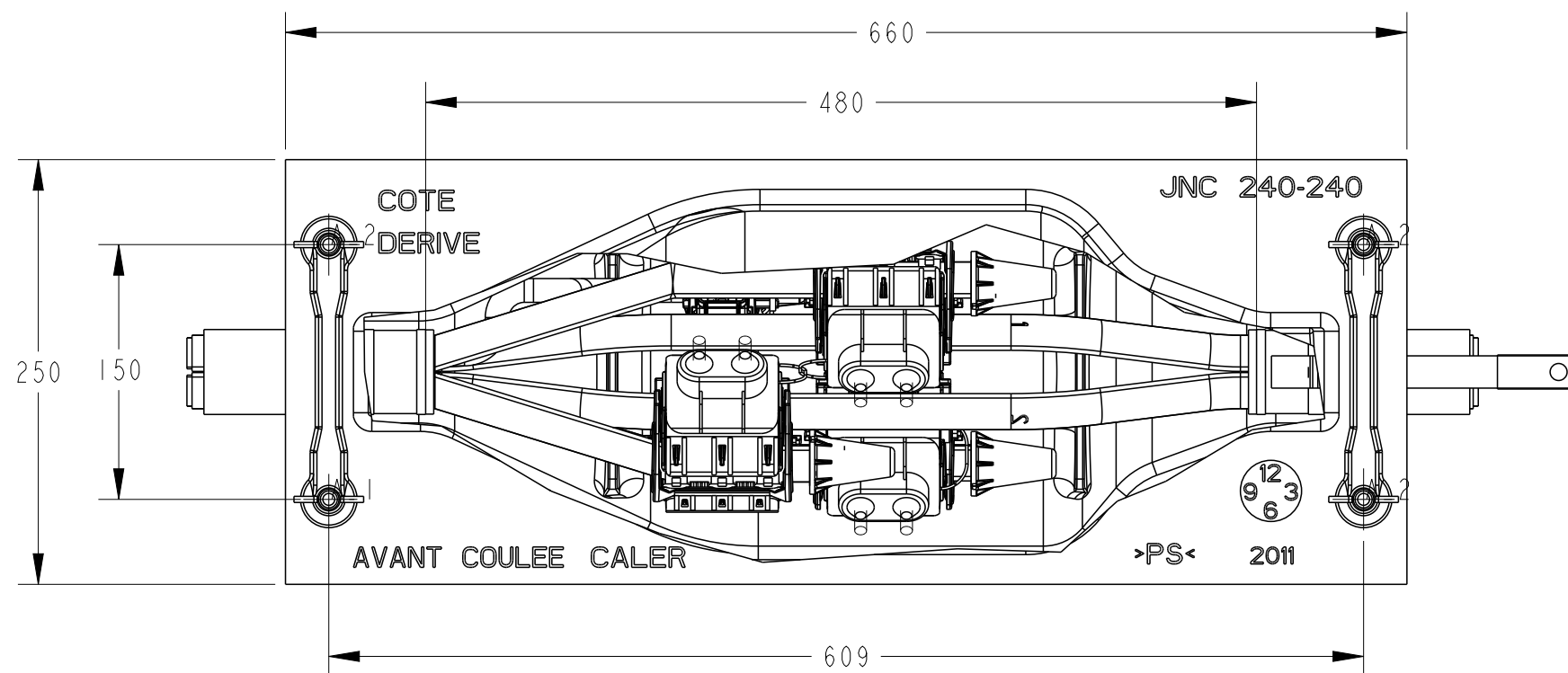
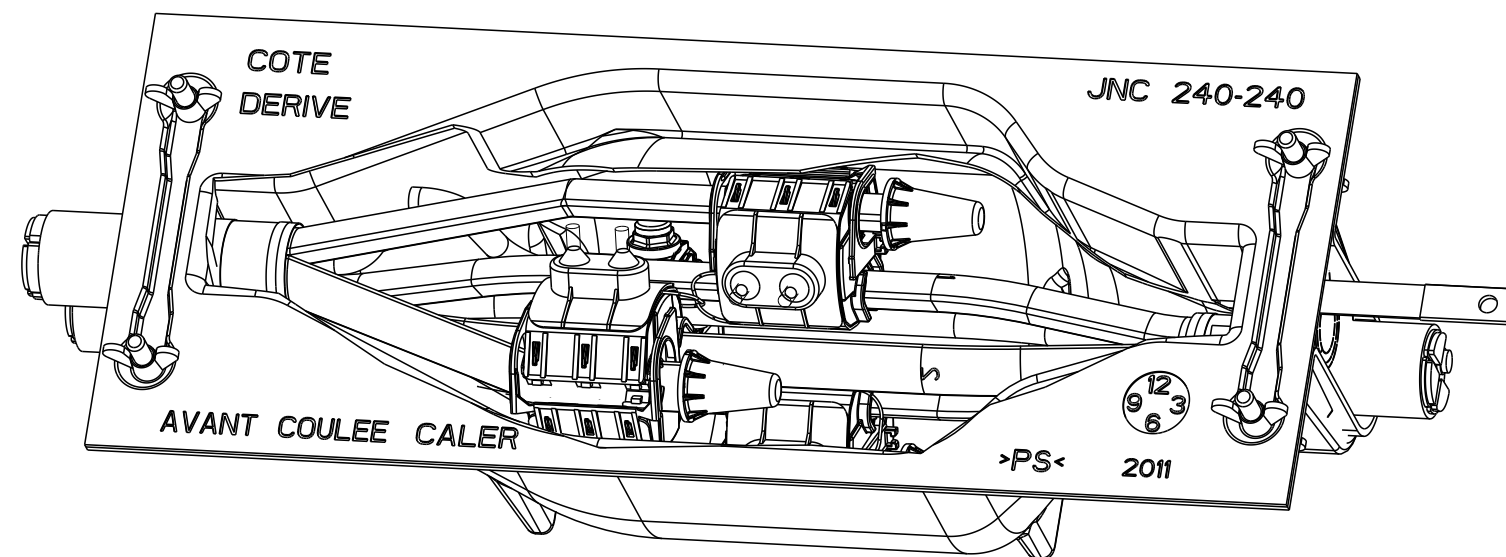



P	LTR	DESCRIPTION	DATE	DWN	APVD
	A	NEW DRAWING	03MAR2021	RS	NA



REFERENCE	PN	CODET ENEDIS	CAPACITY MAIN	CAPACITY TAP	BOX TYPE
JNC 240-240 v2006	1951841-1	67 90 250	95-240mm <sup>2</sup>	95-240mm <sup>2</sup>	POURED RESIN JOINT BOX

THIS DRAWING IS A CONTROLLED DOCUMENT.		DWN RAVI.S 03MAR2021	 TE Connectivity		
DIMENSIONS: mm		CHK J.LARDEAU 03MAR2021			
TOLERANCES UNLESS OTHERWISE SPECIFIED:		APVD N.ALMEIDA 03MAR2021	NAME JUNCTION / NOEUD COULE RESEAU 240 - JNC 240-240 v2006 / JNC-ISOL 240-240		
0 PLC ±- 1 PLC ±- 2 PLC ±- 3 PLC ±- 4 PLC ±- ANGLES ±-		PRODUCT SPEC -	RESTRICTED TO		
MATERIAL -		FINISH -	APPLICATION SPEC -	WEIGHT -	SIZE A3
CUSTOMER DRAWING			CAGE CODE 00779	DRAWING NO C-1951841	SCALE 4:5
			SHEET 1 OF 1		REV A