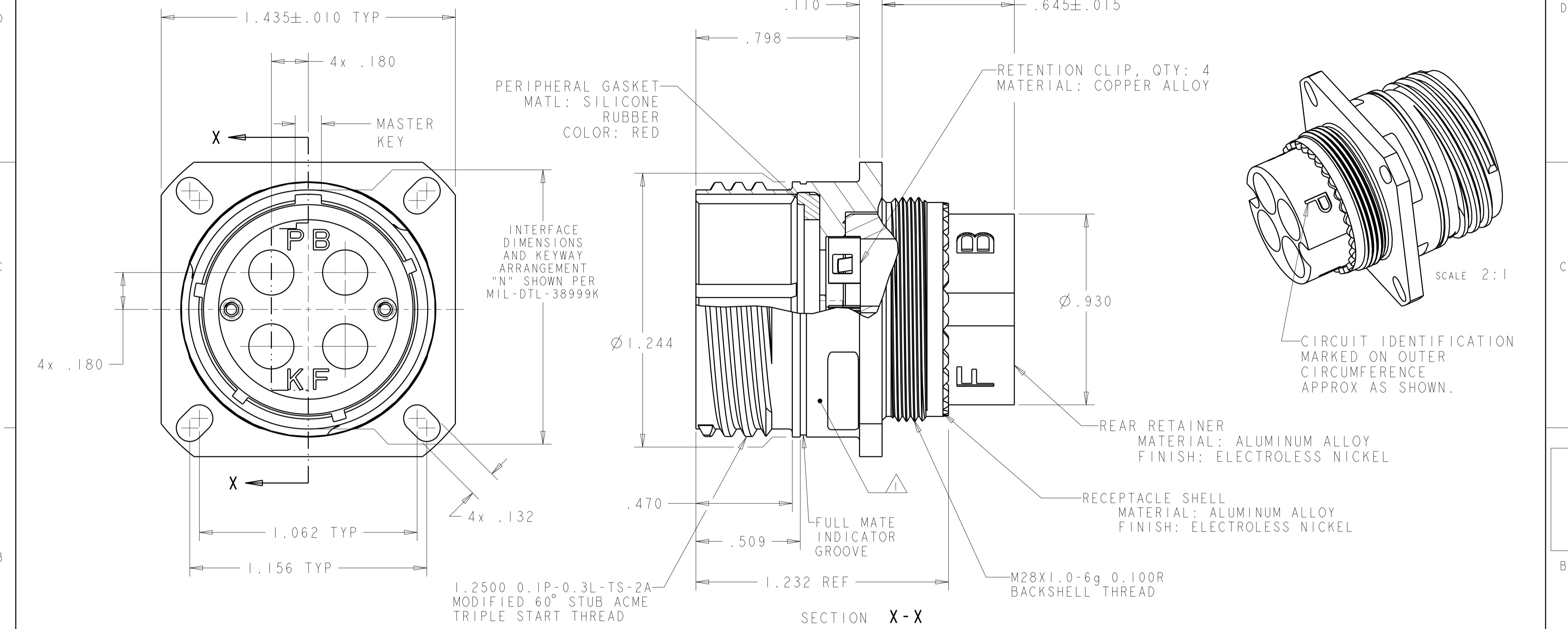


LOC	DIST	REVISIONS					
DF	A5	P	LTR	DESCRIPTION	DATE	DWN	APVD
		C		REV PER ECO 08-029679	2-5-09	CT	DM



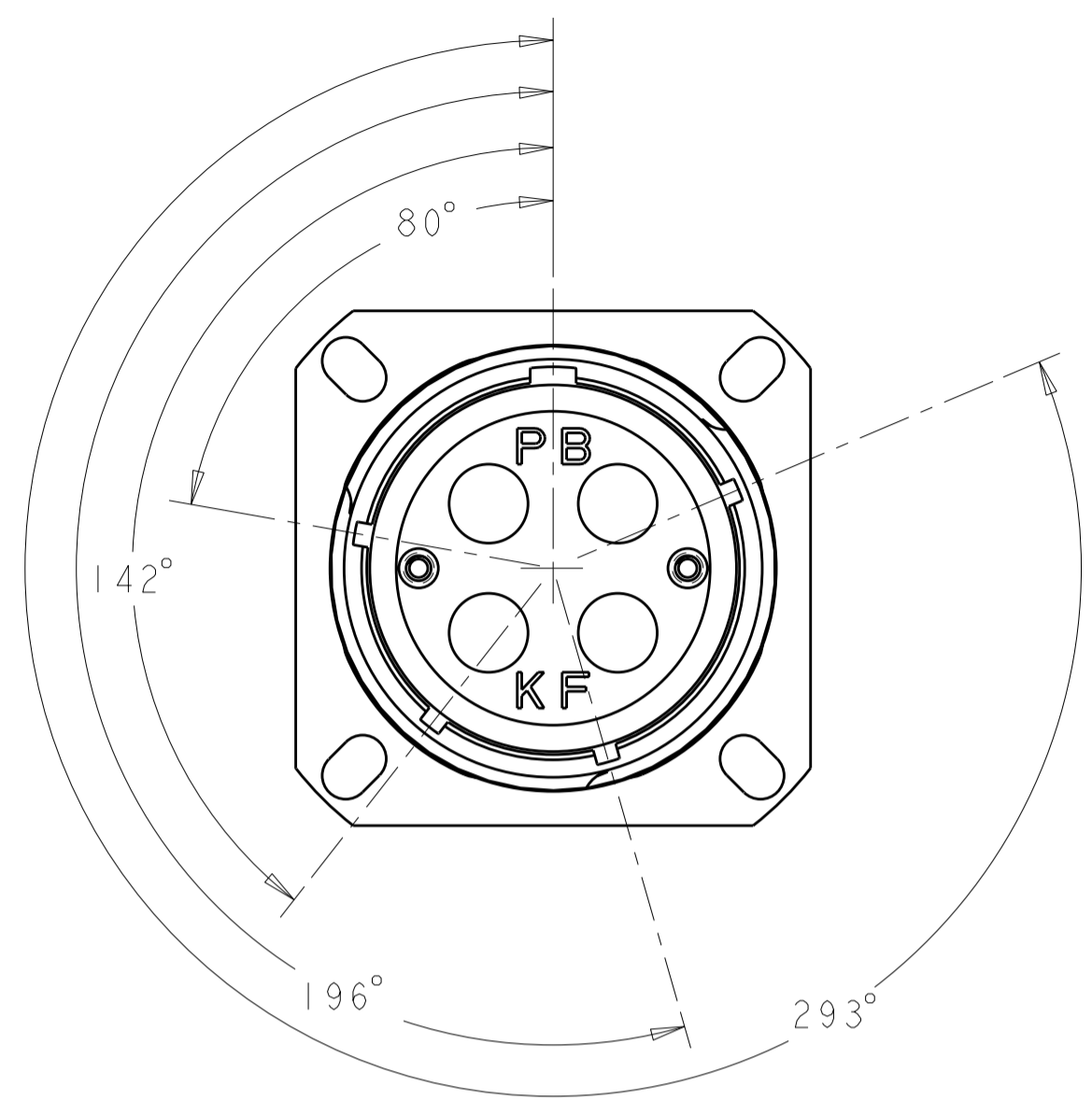
1. PART IS MARKED WITH TYCO ELECTRONICS PART NO. (SEE TABLE), TYCO ELECTRONICS LOGO OR TE, TYCO ELECTRONICS CAGE CODE, AND DATE CODE.  
 2. OPERATING TEMPERATURE RANGE: -65°C TO +125°C (-85°F TO +257°F).

B	1950031-3
A	1950031-2
N	1950031-1
SHELL KEYING ARRANGEMENT	PART NUMBER

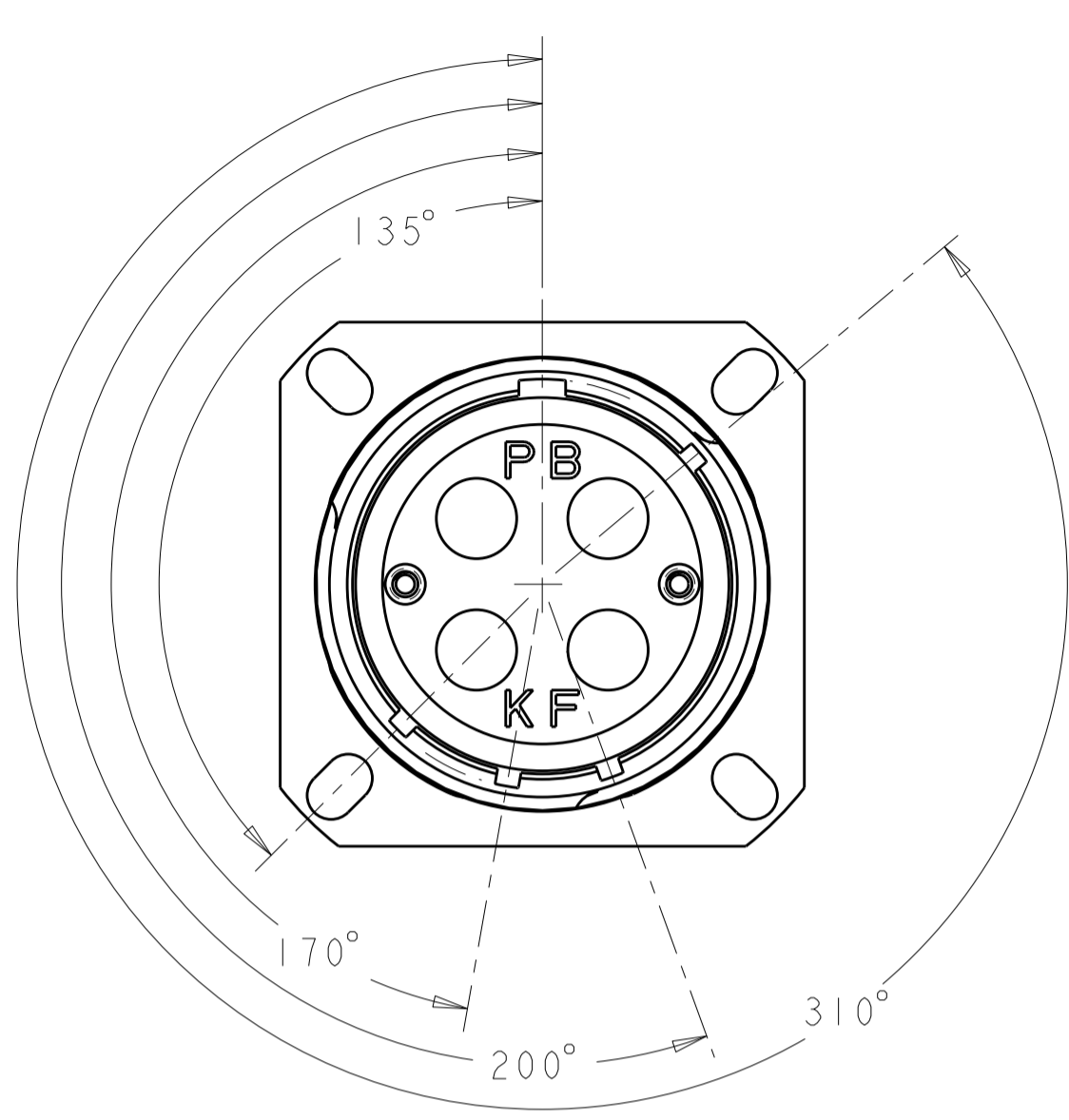
THIS DRAWING IS A CONTROLLED DOCUMENT FOR TYCO ELECTRONICS CORPORATION. IT IS SUBJECT TO CHANGE AND THE CONTROLLING ENGINEERING ORGANIZATION SHOULD BE CONTACTED FOR THE LATEST REVISION.		DWN	CJV	05JUN2006	Tyco Electronics Harrisburg, PA 17105-3608
DIMENSIONS: INCHES		CHK	L OH	05JUN2006	
TOLERANCES UNLESS OTHERWISE SPECIFIED:		APVD	L OH	05JUN2006	
0 PLC ±- 1 PLC ±.1 2 PLC ±.01 3 PLC ±.005 4 PLC ±.0020 ANGLES ±1° FINISH		PRODUCT SPEC		NAME	
MATERIAL		APPLICATION SPEC		SIZE	A2
		WEIGHT		CAGE CODE	00779
		CUSTOMER DRAWING		DRAWING NO	1950031
		SCALE		RESTRICTED TO	-
		SHEET		1	2
		REV		C	

THIS DRAWING IS UNPUBLISHED. RELEASED FOR PUBLICATION 20  
 © COPYRIGHT 20 BY TYCO ELECTRONICS CORPORATION. ALL RIGHTS RESERVED.

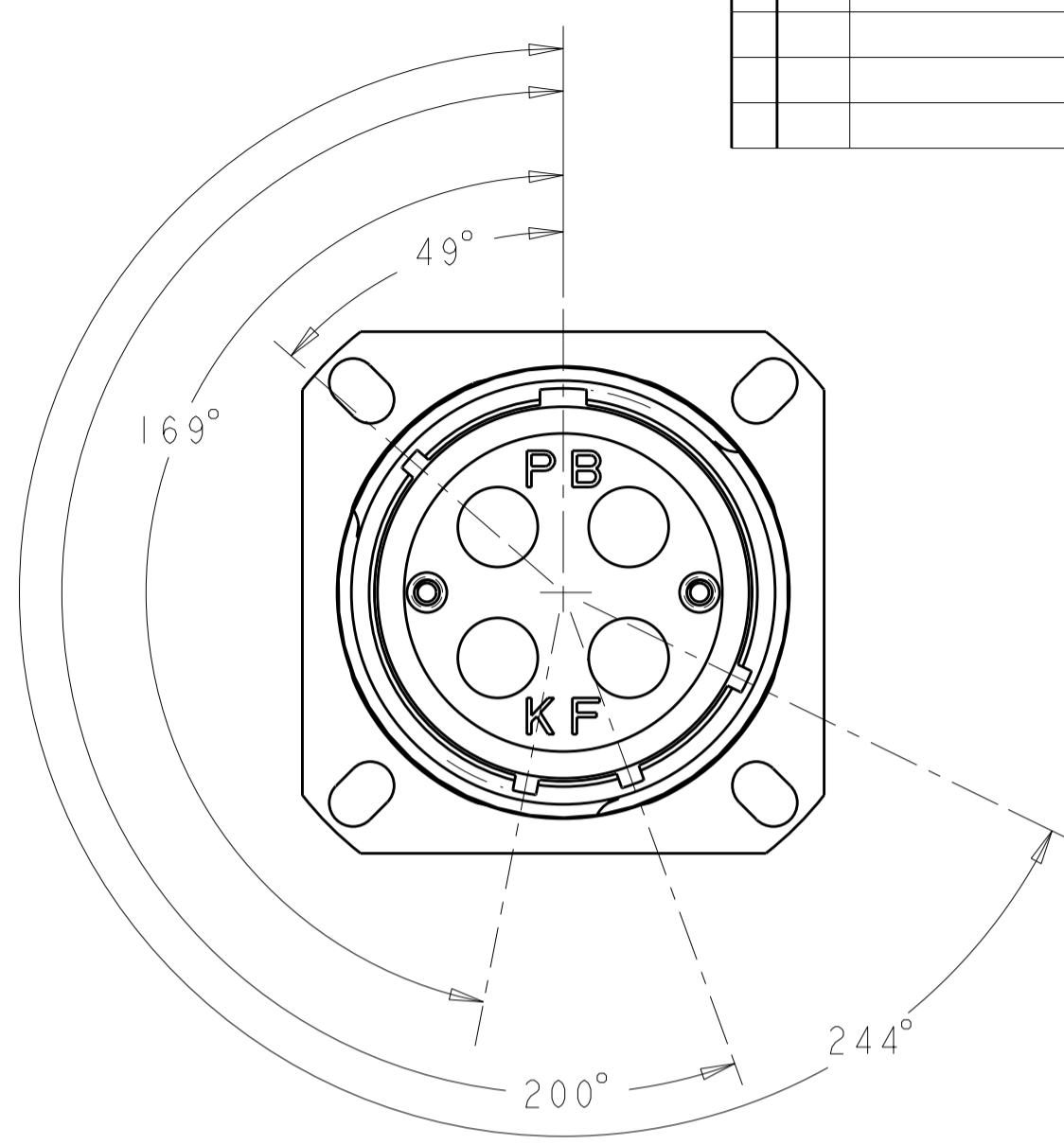
REVISIONS							
LOC	DIST	P	LTR	DESCRIPTION	DATE	DWN	APVD
DF	A5	-	-	SEE SHEET 1			



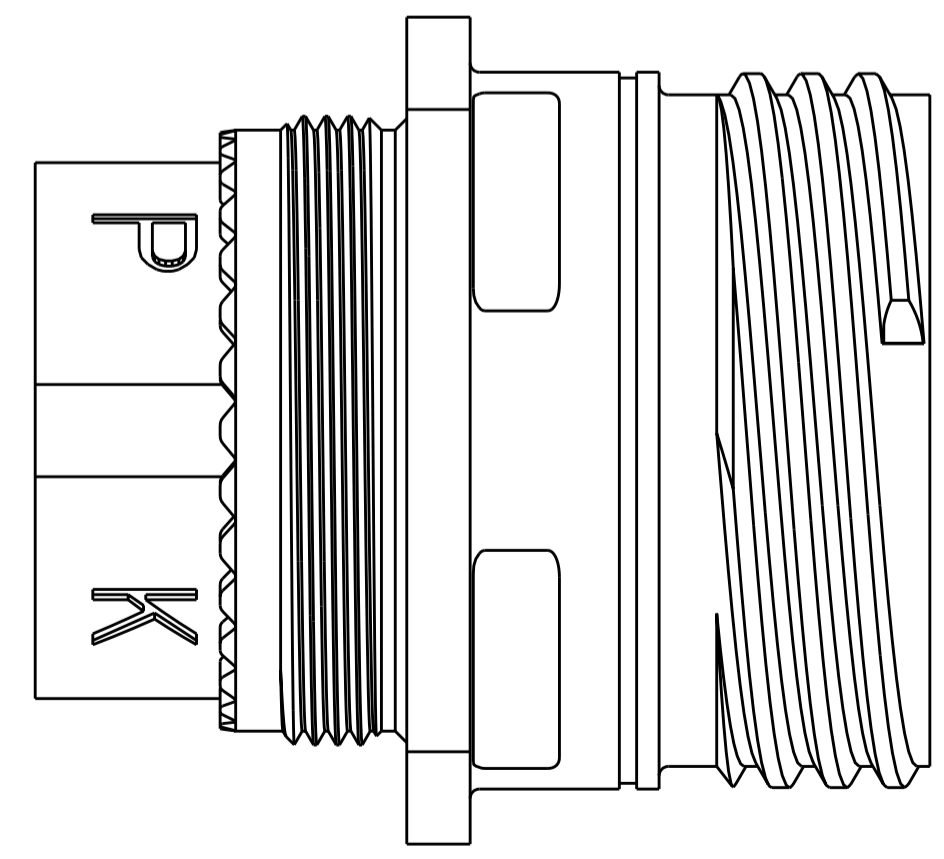
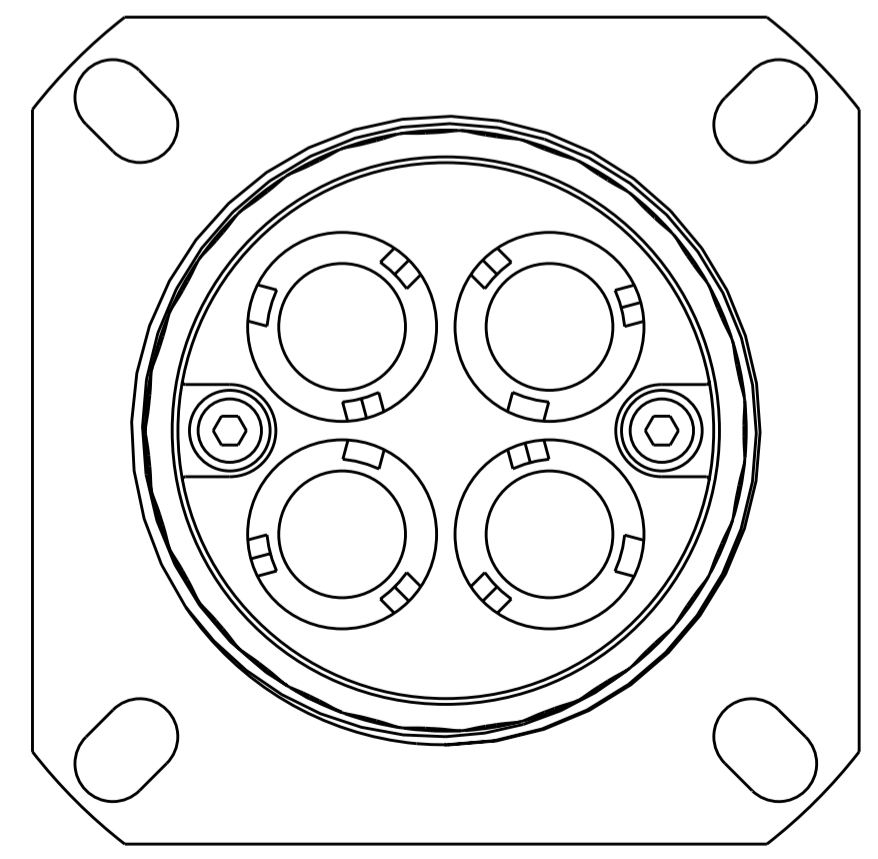
1811598-1  
"N" POLARIZATION



1811598-2  
"A" KEY POLARIZATION



1811598-3  
"B" KEY POLARIZATION



<small>THIS DRAWING IS A CONTROLLED DOCUMENT FOR TYCO ELECTRONICS CORPORATION. IT IS SUBJECT TO CHANGE AND THE CONTROLLING ENGINEERING ORGANIZATION SHOULD BE CONTACTED FOR THE LATEST REVISION.</small>		DWN	CJV	05JUN2006	Tyco Electronics Harrisburg, PA 17105-3608	
DIMENSIONS: INCHES		CHK	L OH	05JUN2006		
		APVD	L OH	05JUN2006		
TOLERANCES UNLESS OTHERWISE SPECIFIED: 0 PLC ±. 1 PLC ±.01 2 PLC ±.01 3 PLC ±.005 4 PLC ±.0020 ANGLES ±1° FINISH		PRODUCT SPEC	-			
MATERIAL	-	APPLICATION SPEC	-		NAME	RECEPTACLE ASSEMBLY, SIZE 19, 4C4, WALL MOUNT, M38999 STYLE
		WEIGHT	-		SIZE	A2
		CUSTOMER DRAWING	SCALE	1:1	CAGE CODE	00779
			SHEET	2	DRAWING NO	C-1950031
			OF	2	RESTRICTED TO	-
			REV	C		