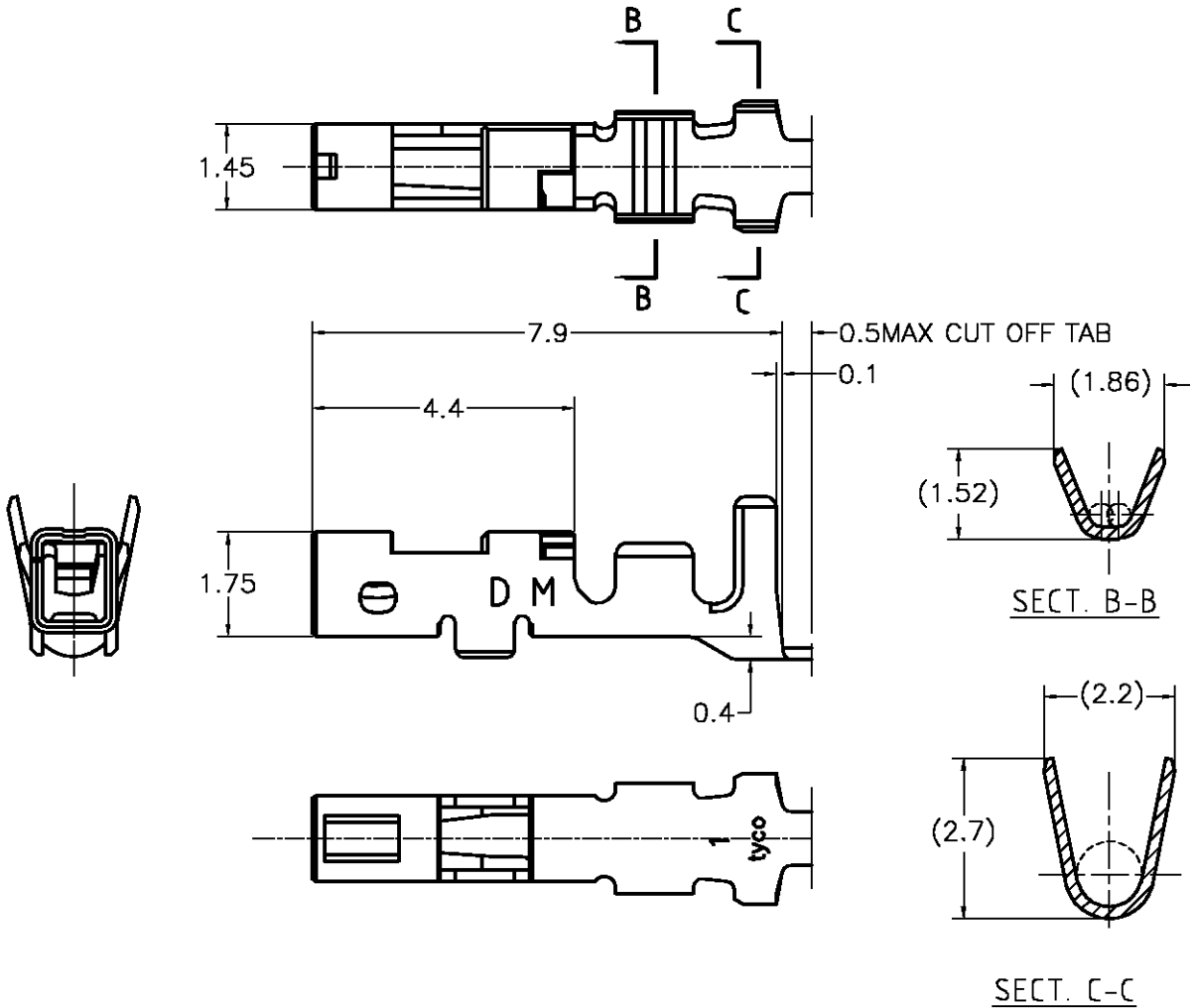


LOC J	DIST —	REVISIONS 変更			DATE	DWN	APVD
		P	LTR	DESCRIPTION			
			A	RELEASED	25APR2007	M.M	D.M



NOTE
1. GENERAL TORELANCE : $\pm 0.3, \pm 3^\circ$

THIS DRAWING IS UNPUBLISHED.

COPYRIGHT - BY TYCO ELECTRONICS CORPORATION.

1939992-2
PART NUMBER

DIMENSIONS: 単位: 耗 mm TOLERANCES UNLESS OTHERWISE SPECIFIED: 一般公差 0 PLC $\pm -$ 1 PLC $\pm -$ 2 PLC $\pm -$ 3 PLC $\pm -$ 4 PLC $\pm -$ ANGLES $\pm -$	DWN M.MAEBASHI 25APR2007	MATERIAL 材料 COPPER ALLOY	FINISH OVER Ni PL : 1.27 μ m MIN 仕上 Au PL(CONTACT AREA):0.76 μ m MIN		
	CHK T.KUDO 25APR2007	Tyco Electronics AMP K.K. Kawasaki, Japan	NAME 名称 DYNAMIC D1000 SERIES REC CONTACT (M TYPE) Au 0.76 μ m (L/P)		
	APVD D.MITSUGI 25APR2007				
	PRODUCT SPEC 製品規格 108-78414	APPLICATION SPEC 取付適用規格 114-5405	SIZE A4	CAGE CODE 00779	DRAWING NO 番号 C-1939992
WEIGHT —	CUSTOMER DRAWING		SCALE 尺度 8:1	SHEET 1 OF 1	REV A