

THIS DRAWING IS UNPUBLISHED. RELEASED FOR PUBLICATION MAR. 2007

© COPYRIGHT 2007 BY TYCO ELECTRONICS CORPORATION. ALL RIGHTS RESERVED.

LOC	DIST	REVISIONS					
		P	LTR	DESCRIPTION	DATE	DWN	APVD
J	-	A		RELEASED	15MAR2007	T.S	D.M

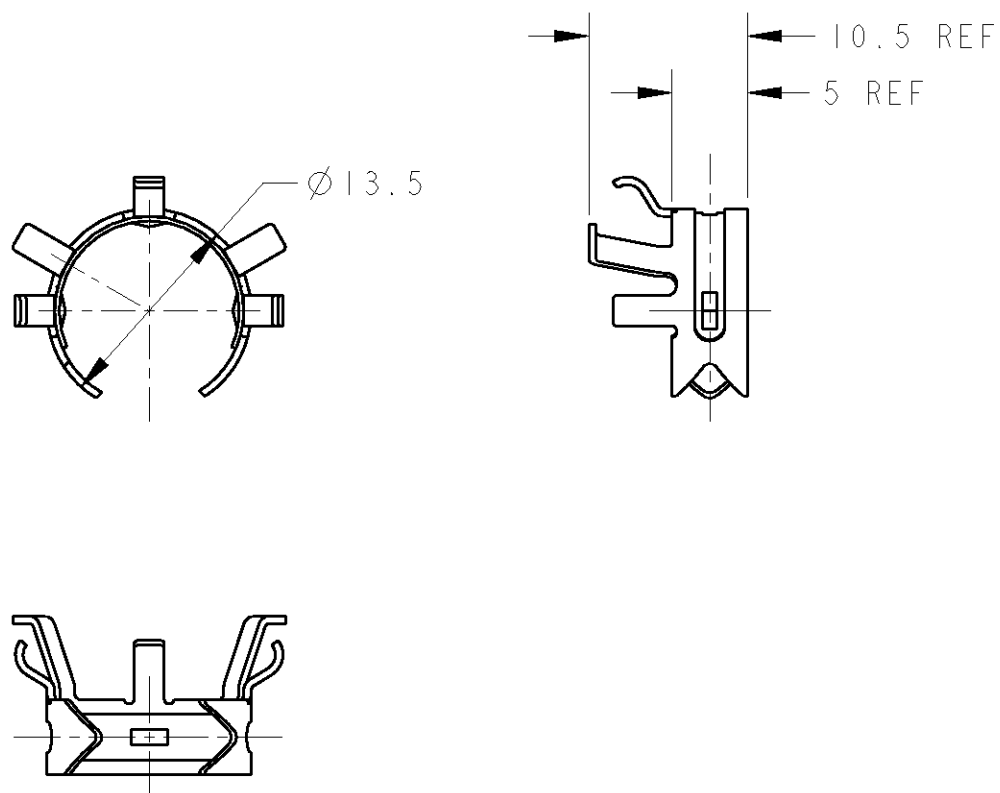
- ①. MATERIAL: STEEL (THICKNESS: 0.5mm)
- ②. FINISH: BRIGHT NICKEL OVER COPPER PLATING

- ①. 材料: 鋼 (板厚: 0.5mm)
- ②. 仕上げ: 銅下地めっきの上に、光沢ニッケルめっき仕上げ

- 1 : AS SHOWN



SCALE 1:1



<small>THIS DRAWING IS A CONTROLLED DOCUMENT FOR TYCO ELECTRONICS CORPORATION IT IS SUBJECT TO CHANGE AND THE CONTROLLING ENGINEERING ORGANIZATION SHOULD BE CONTACTED FOR THE LATEST REVISION.</small>		DWN T.SAMI	15MAR2007	Tyco Electronics AMP K.K. Kawasaki, Japan
DIMENSIONS: 単位: 英 mm		CHK D.MITSUGI	15MAR2007	
		APVD D.MITSUGI	15MAR2007	
TOLERANCES UNLESS OTHERWISE SPECIFIED: 一般公差 ±0.3, ±3° 0-PLC ± 1-PLC ± 2-PLC ± 3-PLC ± 4-PLC ± ANGLES ±		PRODUCT SPEC 製品規格	108-78417	NAME 名称
MATERIAL 材料		APPLICATION SPEC 取付適用規格	411-78262	MULTI ENCLOSURE CONN (M) SHIELD CLIP
FINISH 仕上		WEIGHT	0.88 g	SIZE
①		CUSTOMER DRAWING		CAGE CODE
②		SCALE 2:1		DRAWING NO 番号
		SHEET 1 OF 1		RESTRICTED TO
		REV A		