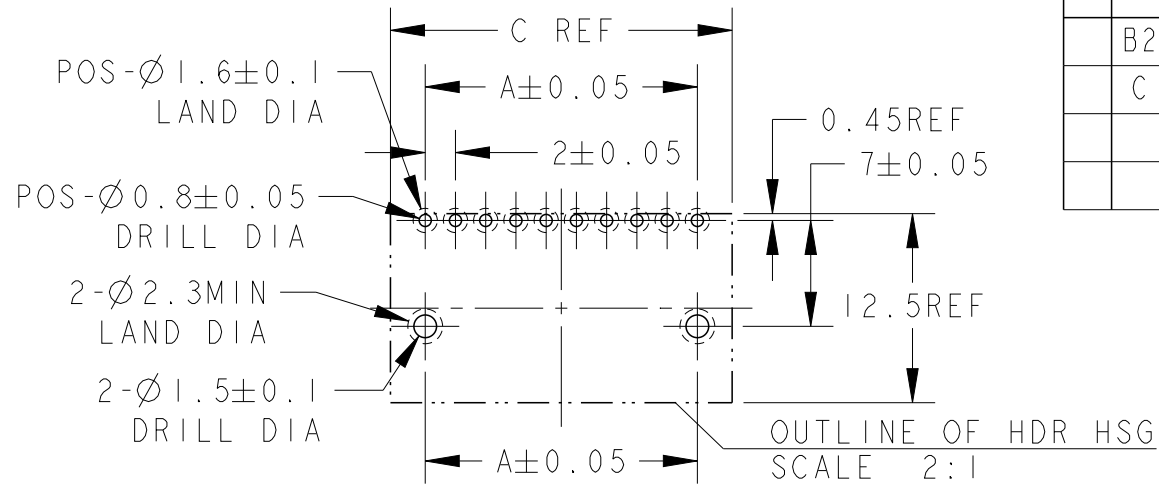
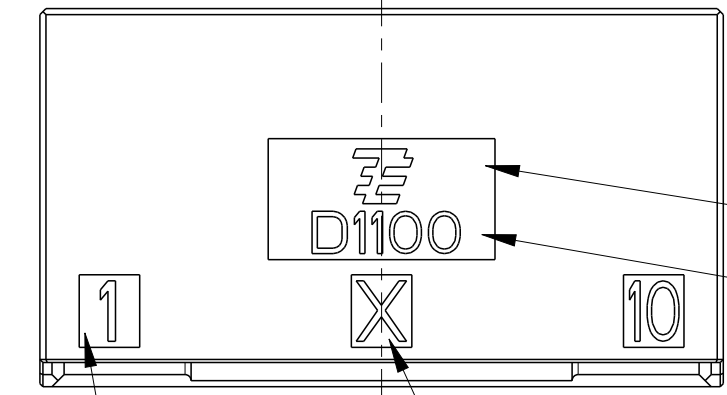
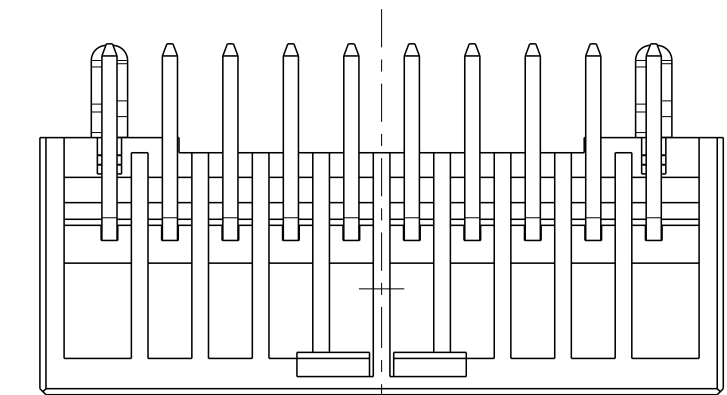
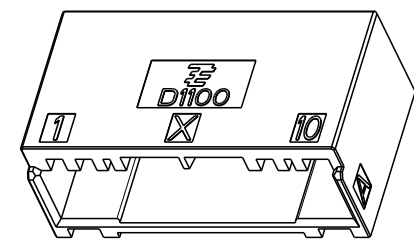


P	LTR	DESCRIPTION	DATE	DWN	APVD
B2		REVISED PER ECR-22-162100	23DEC2022	C.C	R.B
C		REVISED PER ECR-23-170031	22MAR2023	C.C	R.B



RECOMMEND PC BOARD HOLE PATTERN : CONNECTOR MOUNT SIDE (NOT ACCUMULATE TOLERANCE)  
PC BOARD THICKNESS : 1.0□1.6±0.1

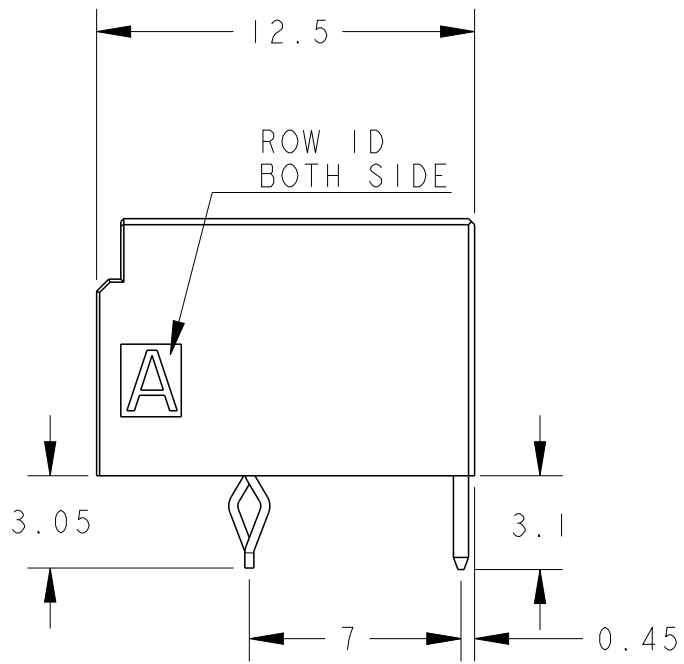
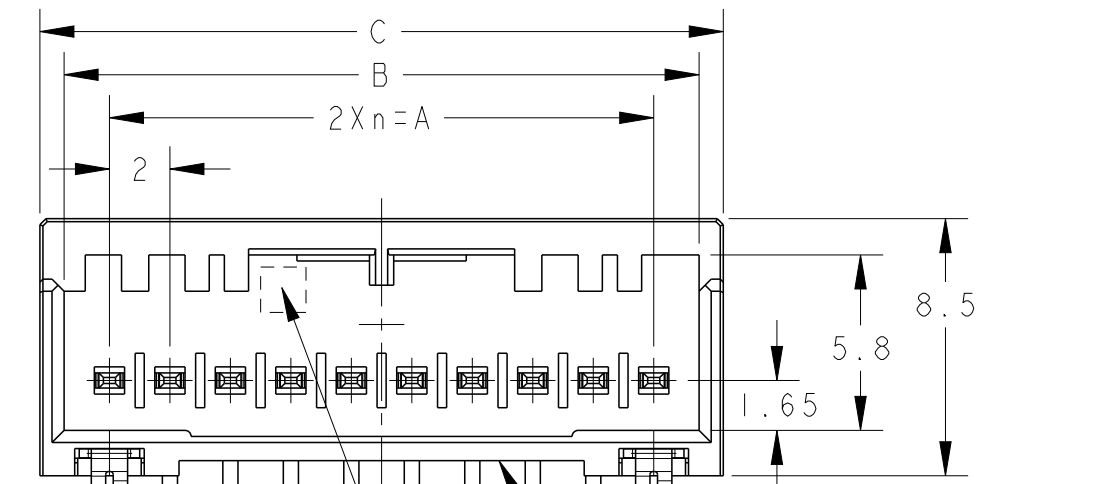


LOGO MARK  
SERIES CODE

CIRCUIT NO KEYING

△. MATERIAL: HOUSING: GLASS FILED THERMO PLASTIC POLYESTER(94V-0), COLOR: BLACK  
CONTACT: COPPER ALLOY  
RETENTION LEG: PRE-TIN COPPER ALLOY

△. FINISH (ALL OVER): TIN PLATING 1.0□mMIN AFTER NICKEL PLATING 1.27□mMIN.  
3. THE KEYING ARRANGEMENT OF "Y" IS SYMMETRIC WITH "X".  
4. THE SHAPE, SIZE AND POSITION OF THE CHARACTER THEY DON'T SHOW DETAILS.



CAVITY MARK (ALPHABET: CAPITAL LETTER)

RETENTION LEG  
△2 HDR CONTACT

HDR HSG

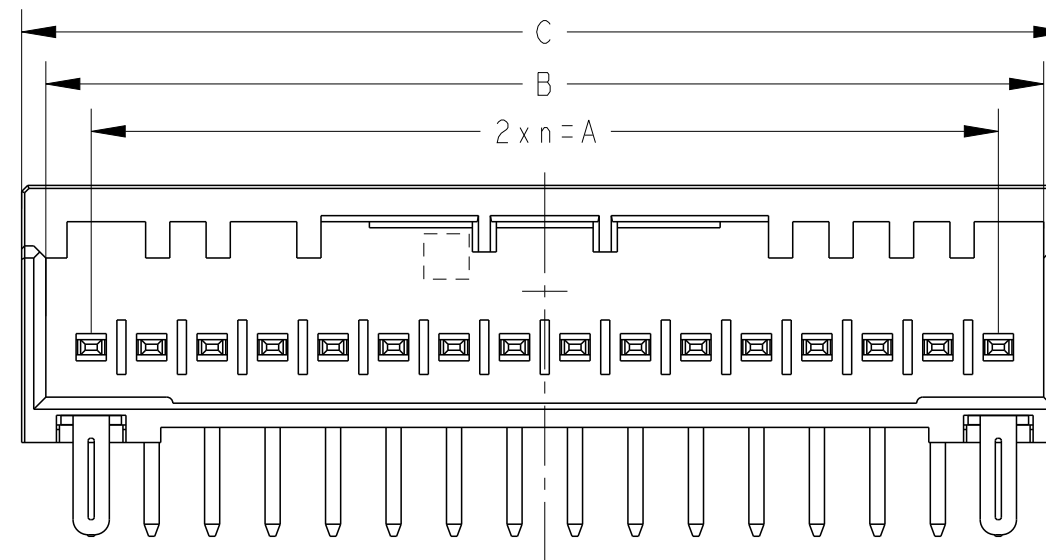
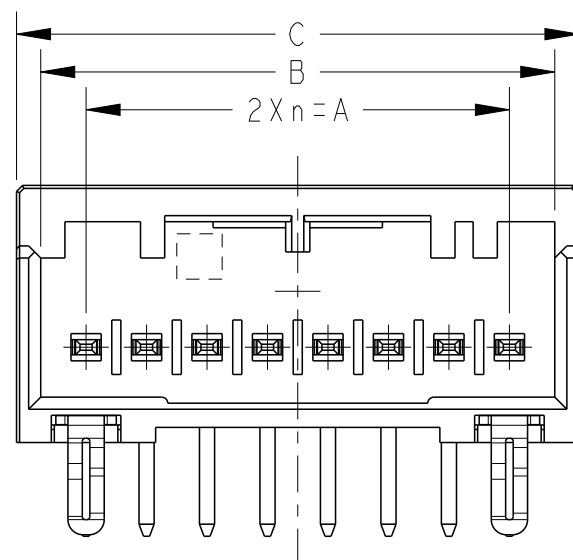
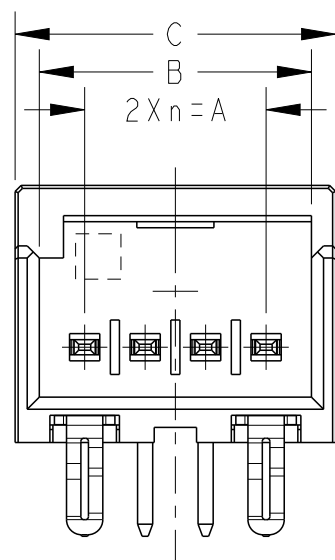
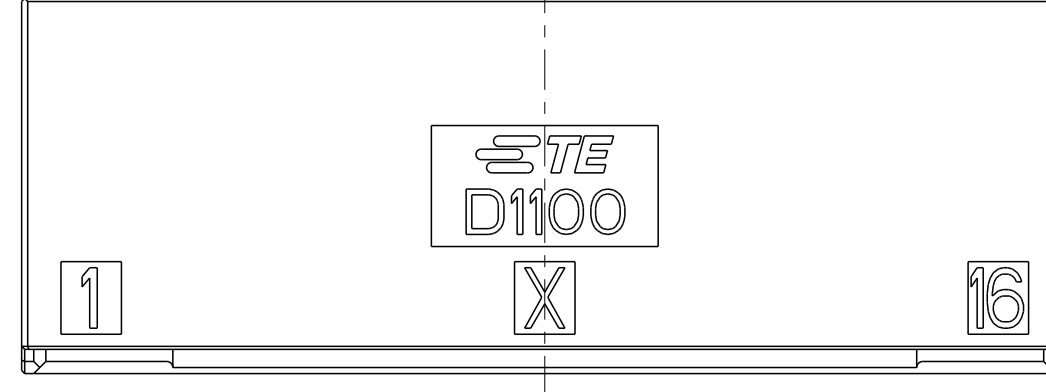
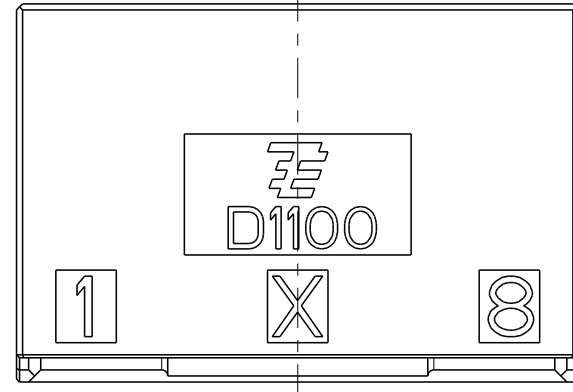
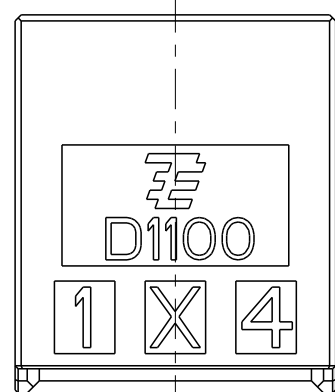
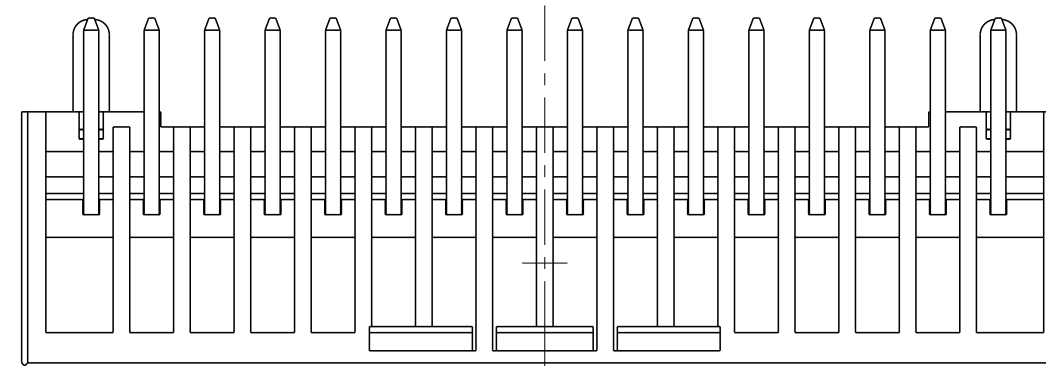
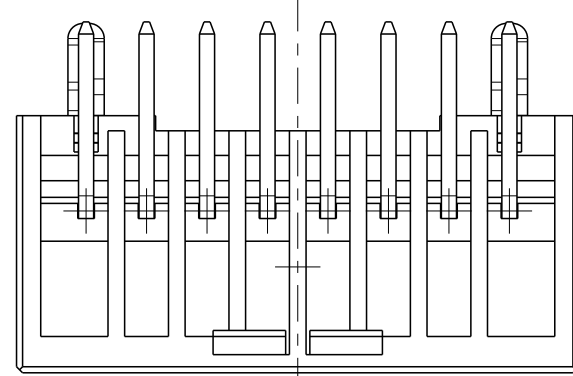
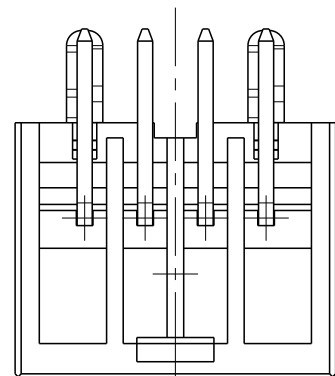
10 POS (X-KEY): 1-1939761-0

16	Y	15	30.0	33.0	34.6	2-1939761-3
16	X	15	30.0	33.0	34.6	1-1939761-3
14	Y	13	26.0	29.0	30.6	2-1939761-2
14	X	13	26.0	29.0	30.6	1-1939761-2
12	Y	11	22.0	25.0	26.6	2-1939761-1
12	X	11	22.0	25.0	26.6	1-1939761-1
10	Y	9	18.0	21.0	22.6	2-1939761-0
10	X	9	18.0	21.0	22.6	1-1939761-0
8	X	7	14.0	17.0	18.6	2-1939761-8
8	X	7	14.0	17.0	18.6	1-1939761-8
4	Y	3	6.0	9.0	10.6	2-1939761-4
4	X	3	6.0	9.0	10.6	1-1939761-4
POS	KEY	n	A	B	C	PART NO

THIS DRAWING IS A CONTROLLED DOCUMENT.		DWN M. MAEBASHI 30 JUL 2007
DIMENSIONS: mm		CHK T. KUDO 30 JUL 2007
TOLERANCES UNLESS OTHERWISE SPECIFIED: ±0.3, ±3°		APVD D. MITSUGI 30 JUL 2007
0 PLC ±	1 PLC ±0.5	PRODUCT SPEC 108-78298
2 PLC ±0.13	3 PLC ±0.013	APPLICATION SPEC 114-5377
4 PLC ±0.0001	ANGLES ±	WEIGHT
MATERIAL △1	FINISH △2	CUSTOMER DRAWING

<b>STE</b> TE Connectivity	
NAME DYNAMIC D1100S 2.0mm PITCH HDR ASSY (H-TYPE) TIN-PLATE 2-16POS	
SIZE A3	CAGE CODE 00779
DRAWING NO C-1939761	RESTRICTED TO -
SCALE 4:1	SHEET 1 OF 3
REV C	


P	LTR	DESCRIPTION	DATE	DWN	APVD
		SEE SHEET 1 OF 2			



4POS(X-KEY): I-1939761-4

8POS(X-KEY): I-1939761-8

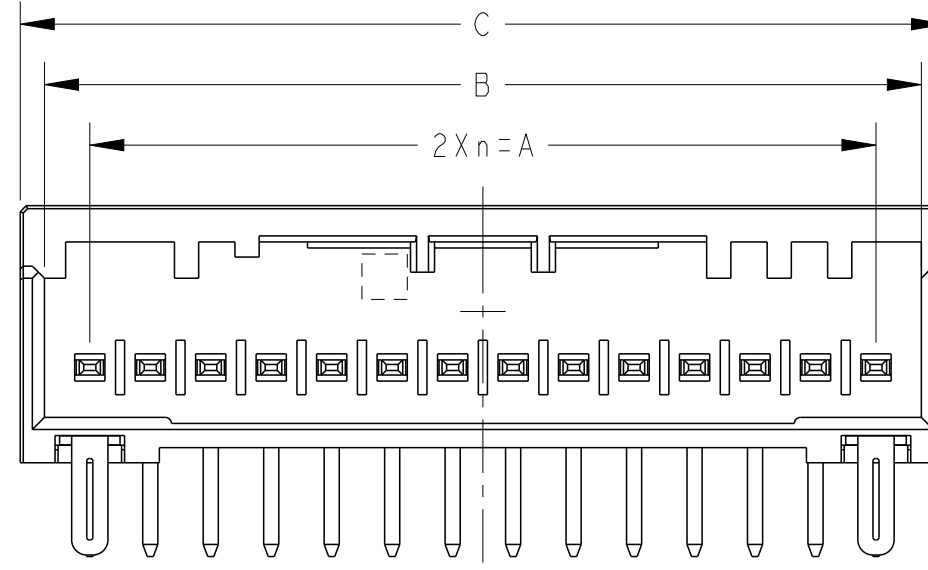
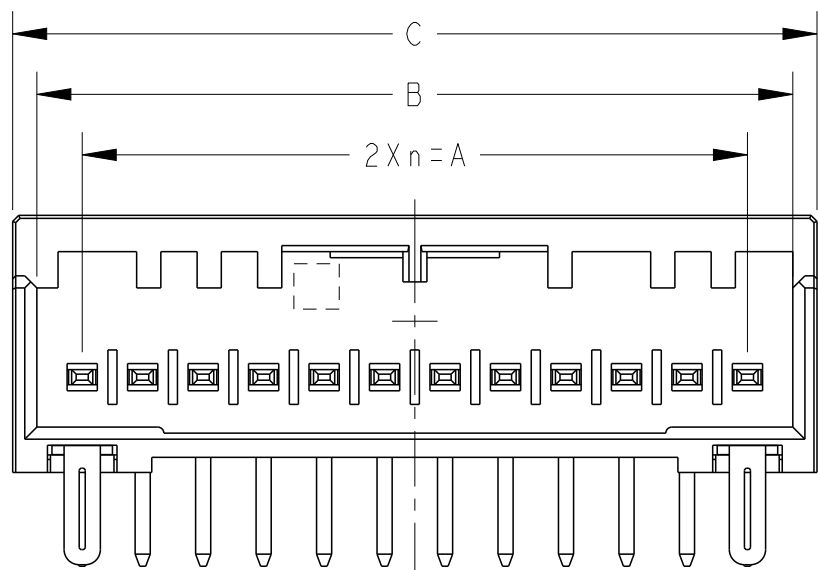
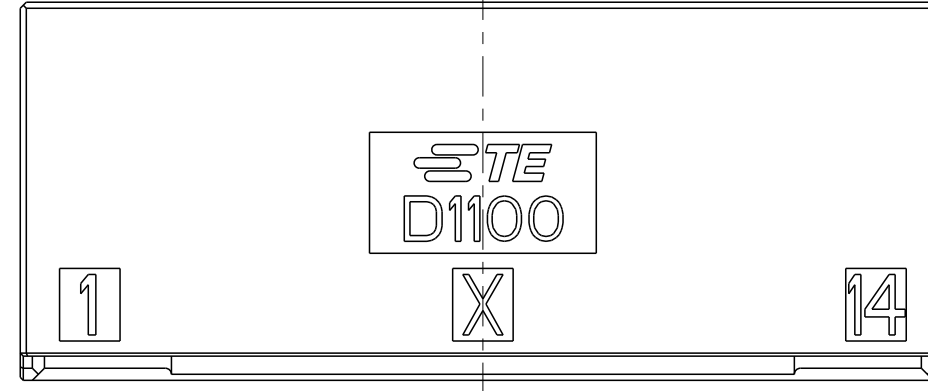
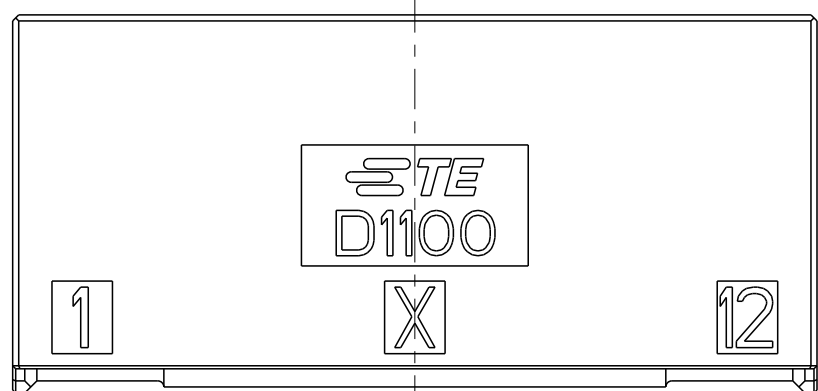
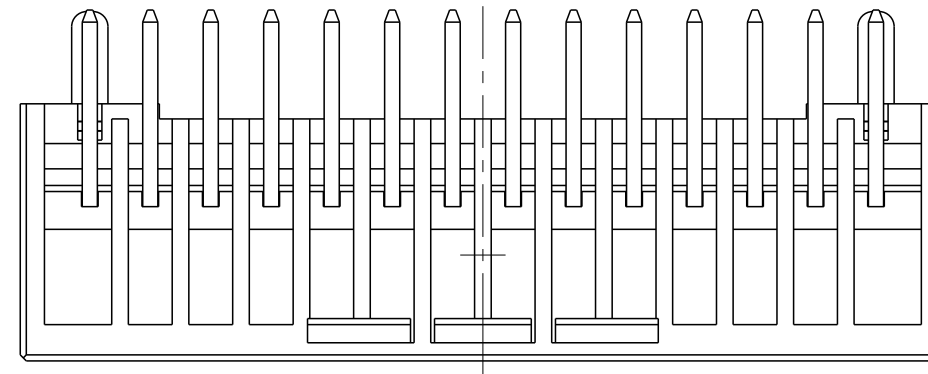
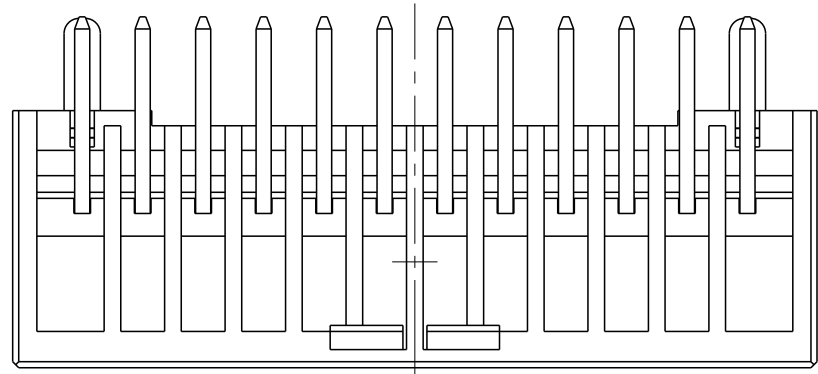
16POS(X-KEY): I-1939761-3

THIS DRAWING IS A CONTROLLED DOCUMENT.		DWN M. MAEBASHI 30 JUL 2007	 TE Connectivity	NAME DYNAMIC D1100S 2.0mm PITCH HDR ASSY (H-TYPE) TIN-PLATE 2-16POS	RESTRICTED TO -
DIMENSIONS: mm		CHK T. KUDO 30 JUL 2007			
TOLERANCES UNLESS OTHERWISE SPECIFIED:		APVD D. MITSUGI 30 JUL 2007	PRODUCT SPEC 108-78298		SIZE A300779
0 PLC ±		APPLICATION SPEC 114-5377		DRAWING NO C-1939761	SCALE 4:1
1 PLC ±		WEIGHT		SHEET 2 OF 3	REV C
2 PLC ±		CUSTOMER DRAWING			
3 PLC ±					
4 PLC ±					
ANGLES ±					
MATERIAL					
FINISH					

SEE SHEET 1 OF 3



REVISIONS

P	LTR	DESCRIPTION	DATE	DWN	APVD



12POS(X-KEY):1-1939761-1

14POS(X-KEY):1-1939761-2

THIS DRAWING IS A CONTROLLED DOCUMENT.		DWN M. MAEBASHI 30JUL2007	 TE Connectivity				
DIMENSIONS: mm		CHK T. KUDO 30JUL2007					
TOLERANCES UNLESS OTHERWISE SPECIFIED:		APVD D. MITSUGI 30JUL2007	NAME DYNAMIC D1100S 2.0mmPITCH HDR ASSY (H-TYPE) TIN-PLATE 2-16POS				
0 PLC ±	 SEE SHEET 1 OF 3	PRODUCT SPEC 108-78298	SIZE A3	CAGE CODE 00779	DRAWING NO C-1939761	RESTRICTED TO -	
2 PLC ±		APPLICATION SPEC 114-5377	SCALE 4:1		SHEET 3 OF 3	REV C	
3 PLC ±		MATERIAL	WEIGHT	CUSTOMER DRAWING			
4 PLC ±		FINISH					
ANGLES ±							