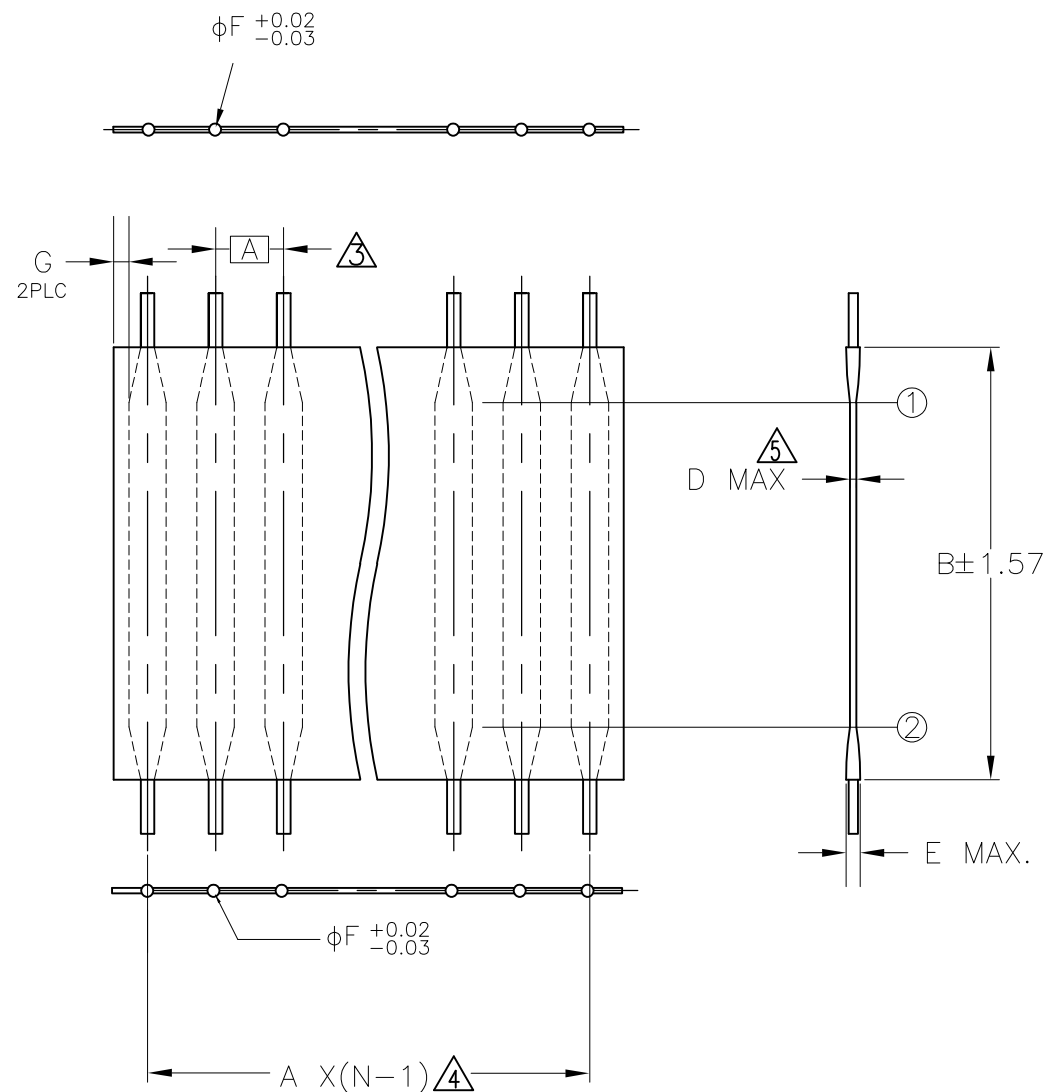


THIS DRAWING IS UNPUBLISHED. RELEASED FOR PUBLICATION

© COPYRIGHT - By - ALL RIGHTS RESERVED.

LOC	DIST	REVISIONS					
		P	LTR	DESCRIPTION	DATE	DWN	APVD
J	-		B	REVISED	10OCT2014	H.M	N.Y



1 プリント基板スルーホール径： $\phi 0.94 \pm 0.025$  また、スルーホールピッチ公差は  $\pm 0.127$  である（参考）

2 本仕様から逸脱する場合は、必ず仕様打合わせを行うこと。

3 リード位置寸法は、リード根元寸法とする。

4 公差は以下の表を参照。

PITCH	2~30PINS	31~50PINS
2.30~5.08	$\pm 0.35$	$\pm 0.40$
1.78~2.00	$\pm 0.30$	$\pm 0.35$
0.80~1.50	$\pm 0.30$	$\pm 0.35$

5 D寸法は、①~②間のワイヤー部の厚さを指す。

1 RECOMMENDED THROUGH HOLE DIA. FOR P.C.BOARD :  $\phi 0.94 \pm 0.025$   
THROUGH HOLE PITCH TOLERANCE :  $\pm 0.127$

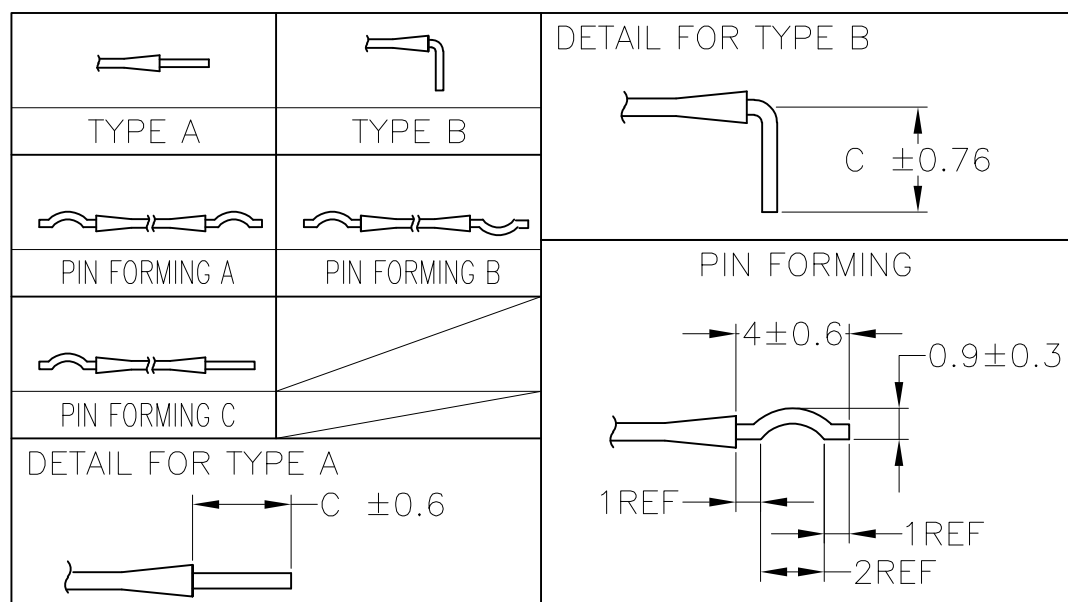
2 THE SPECIFICATION NEEDS TO BE DISCUSSED WHEN ANY OTHER CHANGE HAPPENED.

3 LEAD'S POSITIONAL DIMENSION IS MEASURED AT THE EDGE OF PAPER.

4 TOLERANCE CHART

PITCH	2~30PINS	31~50PINS
2.30~5.08	$\pm 0.35$	$\pm 0.40$
1.78~2.00	$\pm 0.30$	$\pm 0.35$
0.80~1.50	$\pm 0.30$	$\pm 0.35$

5 DIMENSION D INDICATES WIRE THICKNESS BETWEEN ① AND ②



THIS DRAWING IS A CONTROLLED DOCUMENT.		DWN H.OSABE 14JAN2014	<b>STE</b> TE Connectivity	
DIMENSIONS: mm		CHK M.HARASAWA 14JAN2014		
TOLERANCES UNLESS OTHERWISE SPECIFIED:		APVD N.YAMASAKI 14JAN2014	NAME FLEXSTRIP JUMPER UL 5188	
0 PLC $\pm -$		PRODUCT SPEC 108-78001	SIZE CAGE CODE DRAWING NO RESTRICTED TO	
1 PLC $\pm -$		APPLICATION SPEC	A3 00779 C-1939612	
2 PLC $\pm -$		WEIGHT -	SCALE NTS SHEET 1 OF 6 REV B	
3 PLC $\pm -$		CUSTOMER DRAWING		
4 PLC $\pm -$				
ANGLES $\pm -$				
FINISH -				

THIS DRAWING IS UNPUBLISHED.

RELEASED FOR PUBLICATION

---

LOC

DIST

REVISIONS

© COPYRIGHT - By -

ALL RIGHTS RESERVED.

J

---

P

LTR

DESCRIPTION

DATE


DWN

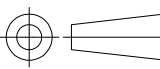
APVD

SEE SHEET 1

# FS1.78N 2.54N 2.5N SERIES

P/N	Description	Pitch (A)	Tape Length (B)	Pin Length (C)	Tape Thickness (D)	Tape Thickness (E)	Pin Diameter (F)	Margin (G)	POS
1939985-2	FS1.78N59A-24A=JUMPER NOMEX	1.78	59.0	3.18	0.55MAX	0.95MAX	∅ 0.4	0.25MIN	24
2013296-1	FS1.78N72A-25A=JUMPER NOMEX	1.78	72.0	3.18	0.55MAX	0.95MAX	∅ 0.4	0.25MIN	25

THIS DRAWING IS A CONTROLLED DOCUMENT.		DWN	-		
		CHK	-		
		APVD	-		
		PRODUCT SPEC	-		
		APPLICATION SPEC	-		
		WEIGHT	-		
		CUSTOMER DRAWING			
		SCALE	NTS		SHEET
		2 OF 6		REV	B
		RESTRICTED TO			
		-			
		SIZE	CAGE CODE	DRAWING NO	
		A3	00779	C-1939612	
		 <b>TE Connectivity</b>			
		<b>FLEXSTRIP JUMPER</b> UL 5188			
		-			
		NAME			
		-			

DIMENSIONS:		TOLERANCES UNLESS OTHERWISE SPECIFIED:	
mm			
		0 PLC	± -
		1 PLC	± -
		2 PLC	± -
		3 PLC	± -
		4 PLC	± -
		ANGLES	± -
MATERIAL		FINISH	
-		-	

THIS DRAWING IS UNPUBLISHED.

RELEASED FOR PUBLICATION

© COPYRIGHT - By -

ALL RIGHTS RESERVED.

LOC  
J

DIST  
-

REVISIONS

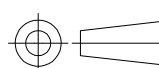
P	LTR	DESCRIPTION	DATE	DWN	APVD
-	-	SEE SHEET 1	-	-	-

# FS2N SERIES

P/N	Description	Pitch (A)	Tape Length (B)	Pin Length (C)	Tape Thickness (D)	Tape Thickness (E)	Pin Diameter (F)	Margin (G)	POS
1554637-1	FS2N12.7A14A	2.00	12.7	3.18	0.55MAX	0.95MAX	φ 0.4	0.25MIN	14
1447175-6	FS2N20A18A =JUMPER NOMEX	2.00	20.0	3.18	0.55MAX	0.95MAX	φ 0.4	0.25MIN	18
3-1447175-3	FS2N25.4A14A =JUMPER NOMEX	2.00	25.4	3.18	0.55MAX	0.95MAX	φ 0.4	0.25MIN	14
3-1447175-5	FS2N25.4A15A =JUMPER NOMEX	2.00	25.4	3.18	0.55MAX	0.95MAX	φ 0.4	0.25MIN	15
7-1447175-8	FS2N25.4A7A =JUMPER NOMEX	2.00	25.4	3.18	0.55MAX	0.95MAX	φ 0.4	0.25MIN	7
8-1447175-5	FS2N25.4A9A =JUMPER NOMEX	2.00	25.4	3.18	0.55MAX	0.95MAX	φ 0.4	0.25MIN	9
1554636-1	FS2N25.4A20A-3	2.00	25.4	4.00	0.55MAX	0.95MAX	φ 0.4	0.25MIN	30
5-1447176-6	FS2N38.1A19A =JUMPER NOMEX	2.00	38.1	3.18	0.55MAX	0.95MAX	φ 0.4	0.25MIN	19
1554635-1	FS2N38.1A20A	2.00	38.1	3.18	0.55MAX	0.95MAX	φ 0.4	0.25MIN	20
1717448-1	FS2N38.1A23A FLEXSTRIP JUMPER	2.00	38.1	3.18	0.55MAX	0.95MAX	φ 0.4	0.25MIN	23
5-1447177-1	FS2N50.8A15A =JUMPER NOMEX	2.00	50.8	3.18	0.55MAX	0.95MAX	φ 0.4	0.25MIN	15
5-1447177-9	FS2N50.8A19A =JUMPER NOMEX	2.00	50.8	3.18	0.55MAX	0.95MAX	φ 0.4	0.25MIN	19
1717449-1	FS2N50.8A23A FLEXSTRIP JUMPER	2.00	50.8	3.18	0.55MAX	0.95MAX	φ 0.4	0.25MIN	23
9-1447177-3	FS2N50.8A7A =JUMPER NOMEX	2.00	50.8	3.18	0.55MAX	0.95MAX	φ 0.4	0.25MIN	7

THIS DRAWING IS A CONTROLLED DOCUMENT.		DWN	-		
		CHK	-		
		APVD	-		
		PRODUCT SPEC	-		
		APPLICATION SPEC	-		
		WEIGHT	-		
		CUSTOMER DRAWING			
		SCALE	NTS		SHEET 3 OF 6
		REV	B		

DIMENSIONS: mm		TOLERANCES UNLESS OTHERWISE SPECIFIED:	
		0 PLC	± -
		1 PLC	± -
		2 PLC	± -
		3 PLC	± -
		4 PLC	± -
		ANGLES	± -
MATERIAL		FINISH	
-		-	

DWN		-	
CHK		-	
APVD		-	
PRODUCT SPEC		-	
APPLICATION SPEC		-	
SIZE	CAGE CODE	DRAWING NO	RESTRICTED TO
A3	00779	C-1939612	-



FLEXSTRIP JUMPER  
UL 5188

THIS DRAWING IS UNPUBLISHED.

RELEASED FOR PUBLICATION

© COPYRIGHT - By -

ALL RIGHTS RESERVED.

LOC  
J

DIST  
-

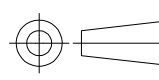
REVISIONS

P	LTR	DESCRIPTION	DATE	DWN	APVD
-	-	SEE SHEET 1	-	-	-

# FSN SERIES NO.1

P/N	Description	Pitch (A)	Tape Length (B)	Pin Length (C)	Tape Thickness (D)	Tape Thickness (E)	Pin Diameter (F)	Margin (G)	POS
1447184-4	FSN-2.5A-7A=JUMPER NOMEX	2.54	12.7	3.18	0.55MAX	0.95MAX	φ 0.51	0.25MIN	7
1-1447184-1	FSN-2.5B-14A=JUMPER NOMEX	2.54	12.7	3.18	0.55MAX	0.95MAX	φ 0.51	0.25MIN	14
6-1447184-6	FSN-21.5A-4A=JUMPER NOMEX	2.54	38.1	3.18	0.55MAX	0.95MAX	φ 0.51	0.25MIN	4
7-1447184-7	FSN-21.5A-7A=JUMPER NOMEX	2.54	38.1	3.18	0.55MAX	0.95MAX	φ 0.51	0.25MIN	7
2822336-1	FSN-21.5A-12A=JUMPER NOMEX	2.54	38.1	3.18	0.55MAX	0.95MAX	φ 0.51	0.25MIN	12
2822335-1	FSN-21.5A-23A=JUMPER NOMEX	2.54	38.1	3.18	0.55MAX	0.95MAX	φ 0.51	0.25MIN	23
1447185-3	FSN-21A-10A=JUMPER NOMEX	2.54	25.4	3.18	0.55MAX	0.95MAX	φ 0.51	0.25MIN	10
1-1447185-2	FSN-21A-13A=JUMPER NOMEX	2.54	25.4	3.18	0.55MAX	0.95MAX	φ 0.51	0.25MIN	13
1-1447185-5	FSN-21A-14A=JUMPER NOMEX	2.54	25.4	3.18	0.55MAX	0.95MAX	φ 0.51	0.25MIN	14
1-1447185-8	FSN-21A-16A=JUMPER NOMEX	2.54	25.4	3.18	0.55MAX	0.95MAX	φ 0.51	0.25MIN	16
5-1447185-2	FSN-21A-6A=JUMPER NOMEX	2.54	25.4	3.18	0.55MAX	0.95MAX	φ 0.51	0.25MIN	6
5-1447185-3	FSN-21A-7A=JUMPER NOMEX	2.54	25.4	3.18	0.55MAX	0.95MAX	φ 0.51	0.25MIN	7
5-1447185-4	FSN-21A-8A=JUMPER NOMEX	2.54	25.4	3.18	0.55MAX	0.95MAX	φ 0.51	0.25MIN	8
5-1447185-5	FSN-21A-9A=JUMPER NOMEX	2.54	25.4	3.18	0.55MAX	0.95MAX	φ 0.51	0.25MIN	9

THIS DRAWING IS A CONTROLLED DOCUMENT.		DWN	-		
		CHK	-		
		APVD	-		
		PRODUCT SPEC	-		
		APPLICATION SPEC	-		
		WEIGHT	-		
		<b>STE</b> TE Connectivity			
		FLEXSTRIP JUMPER UL 5188			
		SIZE	CAGE CODE	DRAWING NO	RESTRICTED TO
		A3	00779	C-1939612	-
		CUSTOMER DRAWING		SCALE	SHEET
				NTS	4 OF 6
				REV	B

DIMENSIONS: mm	TOLERANCES UNLESS OTHERWISE SPECIFIED:
	0 PLC ± -
	1 PLC ± -
	2 PLC ± -
	3 PLC ± -
	4 PLC ± -
	ANGLES ± -
MATERIAL	FINISH
-	-

THIS DRAWING IS UNPUBLISHED.

RELEASED FOR PUBLICATION

---

LOC

DIST

REVISIONS

© COPYRIGHT - By -

ALL RIGHTS RESERVED.

J

---

P

LTR

DESCRIPTION

DATE


DWN

APVD

SEE SHEET 1

# FSN SERIES NO.2

P/N	Description	Pitch (A)	Tape Length (B)	Pin Length (C)	Tape Thickness (D)	Tape Thickness (E)	Pin Diameter (F)	Margin (G)	POS
7-1447185-2	FSN-22.5A-13A=JUMPER NOMEMEX	2.54	63.5	3.18	0.55MAX	0.95MAX	φ 0.51	0.25MIN	13
7-1447185-3	FSN-22.5A-14APA=JUMPER NOMEMEX	2.54	63.5	4.00	0.55MAX	0.95MAX	φ 0.51	0.25MIN	14
2-1447186-7	FSN-22A-10A=JUMPER NOMEMEX	2.54	50.8	3.18	0.55MAX	0.95MAX	φ 0.51	0.25MIN	10
3-1447186-4	FSN-22A-13A=JUMPER NOMEMEX	2.54	50.8	3.18	0.55MAX	0.95MAX	φ 0.51	0.25MIN	13
4-1447186-7	FSN-22A-16A=JUMPER NOMEMEX	2.54	50.8	3.18	0.55MAX	0.95MAX	φ 0.51	0.25MIN	16
6-1447186-2	FSN-22A-20A=JUMPER NOMEMEX	2.54	50.8	3.18	0.55MAX	0.95MAX	φ 0.51	0.25MIN	20
9-1447186-9	FSN-22A-5A=JUMPER NOMEMEX	2.54	50.8	3.18	0.55MAX	0.95MAX	φ 0.51	0.25MIN	5
1447187-2	FSN-22A-6A=JUMPER NOMEMEX	2.54	50.8	3.18	0.55MAX	0.95MAX	φ 0.51	0.25MIN	6
1447187-3	FSN-22A-7A=JUMPER NOMEMEX	2.54	50.8	3.18	0.55MAX	0.95MAX	φ 0.51	0.25MIN	7

THIS DRAWING IS A CONTROLLED DOCUMENT.		DWN	 TE Connectivity			
DIMENSIONS: mm		CHK				
TOLERANCES UNLESS OTHERWISE SPECIFIED:		APVD	NAME			
0 PLC ± -		<b>SEE SHEET 1</b>		FLEXSTRIP JUMPER		
1 PLC ± -				UL 5188		
2 PLC ± -				-		
3 PLC ± -				-		
4 PLC ± -		PRODUCT SPEC	SIZE	CAGE CODE	DRAWING NO	RESTRICTED TO
ANGLES ± -		APPLICATION SPEC	A3	00779	C-1939612	-
FINISH		WEIGHT	CUSTOMER DRAWING			
-		-	SCALE	SHEET	REV	
			NTS	5 OF 6	B	

THIS DRAWING IS UNPUBLISHED.

RELEASED FOR PUBLICATION

© COPYRIGHT - By -

ALL RIGHTS RESERVED.

LOC  
J


DIST  
-

REVISIONS

P	LTR	DESCRIPTION	DATE	DWN	APVD
-	-	SEE SHEET 1	-	-	-

# FSN SERIES NO.3

P/N	Description	Pitch (A)	Tape Length (B)	Pin Length (C)	Tape Thickness (D)	Tape Thickness (E)	Pin Diameter (F)	Margin (G)	POS
3-1447187-0	FSN-23A-10A=JUMPER NOMEMEX	2.54	76.2	3.18	0.55MAX	0.95MAX	∅ 0.51	0.25MIN	10
4-1447187-7	FSN-23A-20A=JUMPER NOMEMEX	2.54	76.2	3.18	0.55MAX	0.95MAX	∅ 0.51	0.25MIN	20
5-1447187-9	FSN-23A-30A=JUMPER NOMEMEX	2.54	76.2	3.18	0.55MAX	0.95MAX	∅ 0.51	0.25MIN	30
7-1447187-0	FSN-23A-7A=JUMPER NOMEMEX	2.54	76.2	3.18	0.55MAX	0.95MAX	∅ 0.51	0.25MIN	7
8-1447187-4	FSN-24A-10A=JUMPER NOMEMEX	2.54	101.6	3.18	0.55MAX	0.95MAX	∅ 0.51	0.25MIN	10
1447188-3	FSN-24A-30A=JUMPER NOMEMEX	2.54	101.6	3.18	0.55MAX	0.95MAX	∅ 0.51	0.25MIN	30
1-1447188-1	FSN-24A-6A=JUMPER NOMEMEX	2.54	101.6	3.18	0.55MAX	0.95MAX	∅ 0.51	0.25MIN	6
4-1447188-3	FSN-25A-30A=JUMPER NOMEMEX	2.54	127.0	3.18	0.55MAX	0.95MAX	∅ 0.51	0.25MIN	30
8-1447188-3	FSN-28A-20A=JUMPER NOMEMEX	2.54	203.2	3.18	0.55MAX	0.95MAX	∅ 0.51	0.25MIN	20
2-1939432-2	FSN-32A-18A=JUMPER NOMEMEX	3.18	50.8	3.18	0.55MAX	0.95MAX	∅ 0.51	0.25MIN	18
2-1939432-3	FSN-32A-2A=JUMPER NOMEMEX	3.18	50.8	3.18	0.55MAX	0.95MAX	∅ 0.51	0.25MIN	2

THIS DRAWING IS A CONTROLLED DOCUMENT.		DWN	-		
DIMENSIONS: mm		CHK	-		
TOLERANCES UNLESS OTHERWISE SPECIFIED:		APVD	-		
0 PLC ± -		 <b>TE</b> TE Connectivity FLEXSTRIP JUMPER UL 5188			
1 PLC ± -					
2 PLC ± -					
3 PLC ± -					
4 PLC ± -		PRODUCT SPEC	-		
ANGLES ± -		APPLICATION SPEC	-		
FINISH		WEIGHT	-		
MATERIAL		SIZE	CAGE CODE	DRAWING NO	RESTRICTED TO
-		A3	00779	C-1939612	-
		CUSTOMER DRAWING		SCALE	SHEET
				NTS	6 OF 6
				REV	B