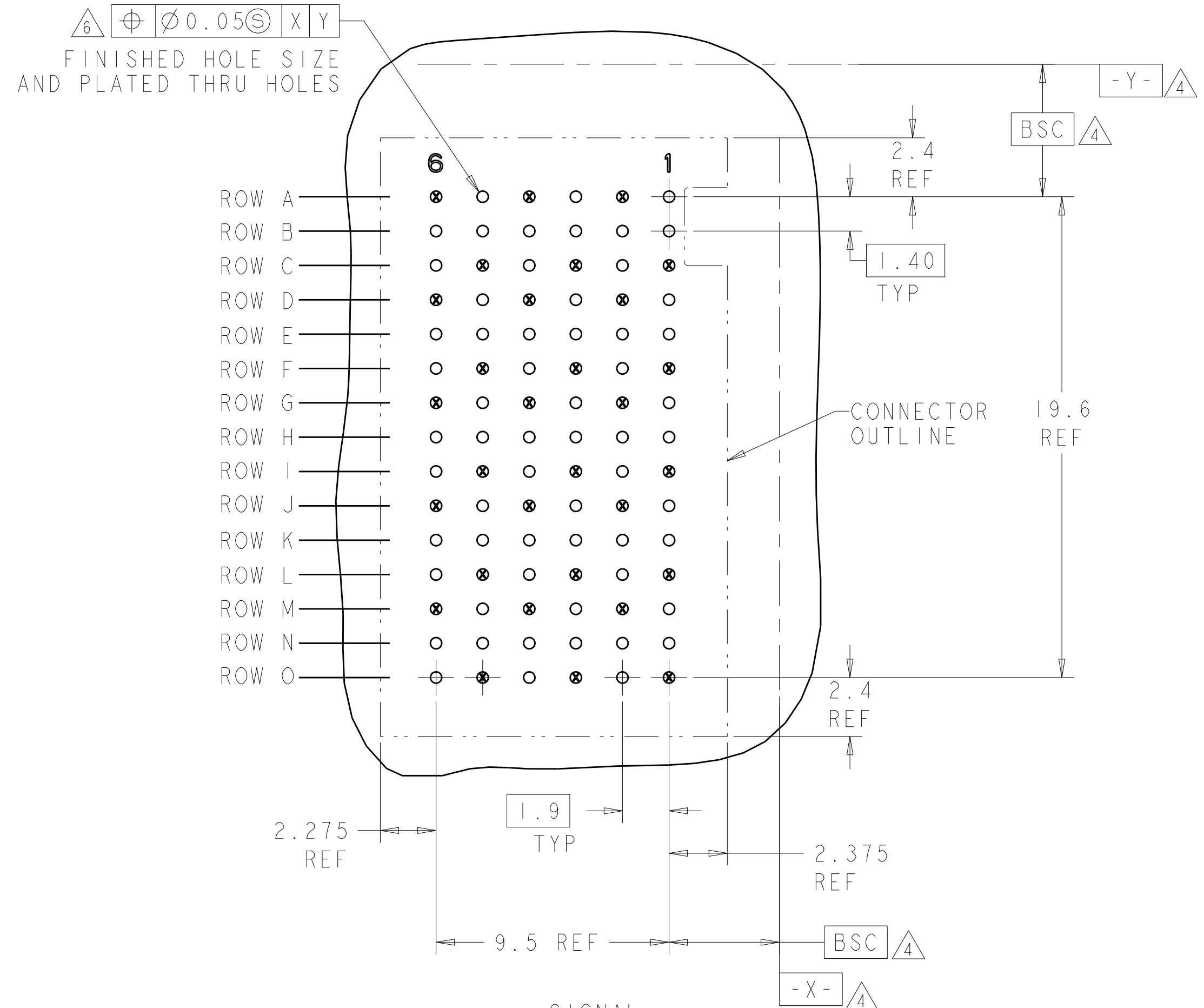
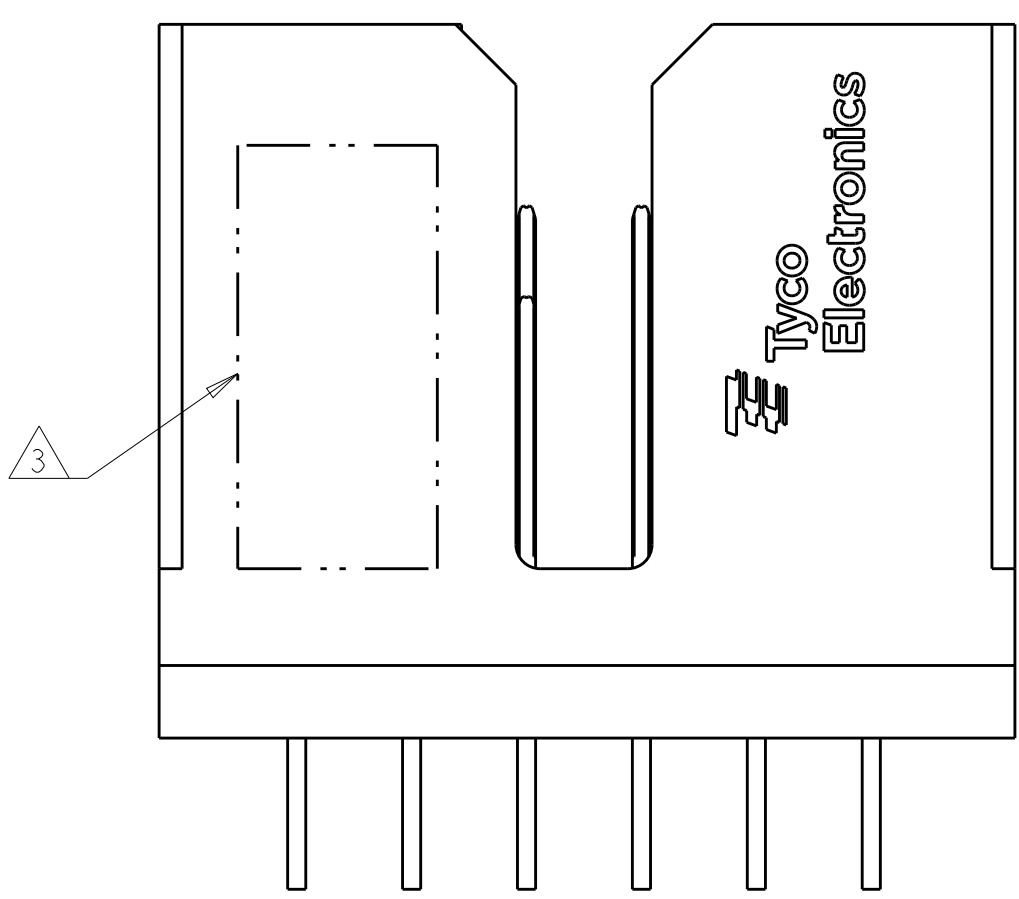
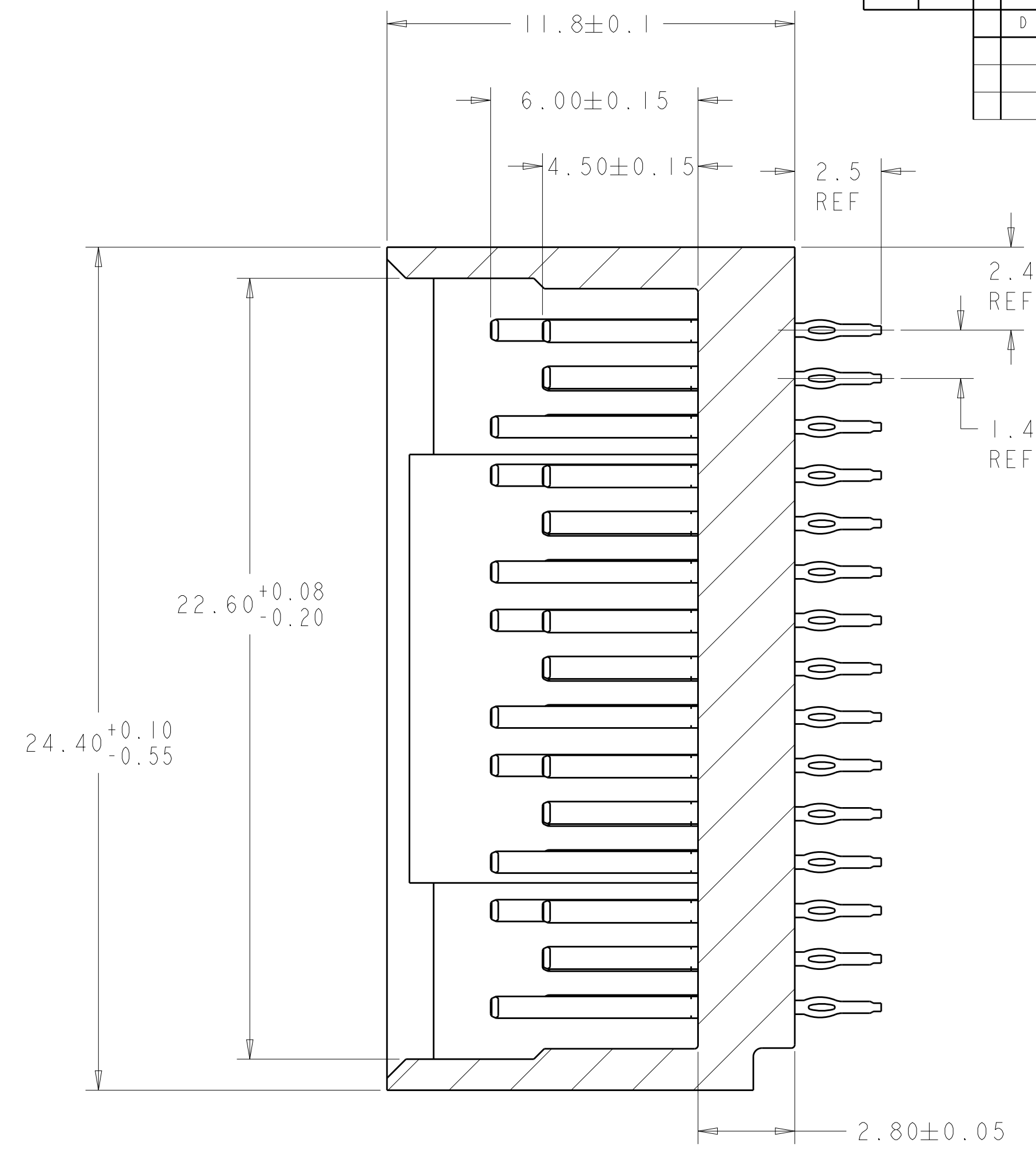
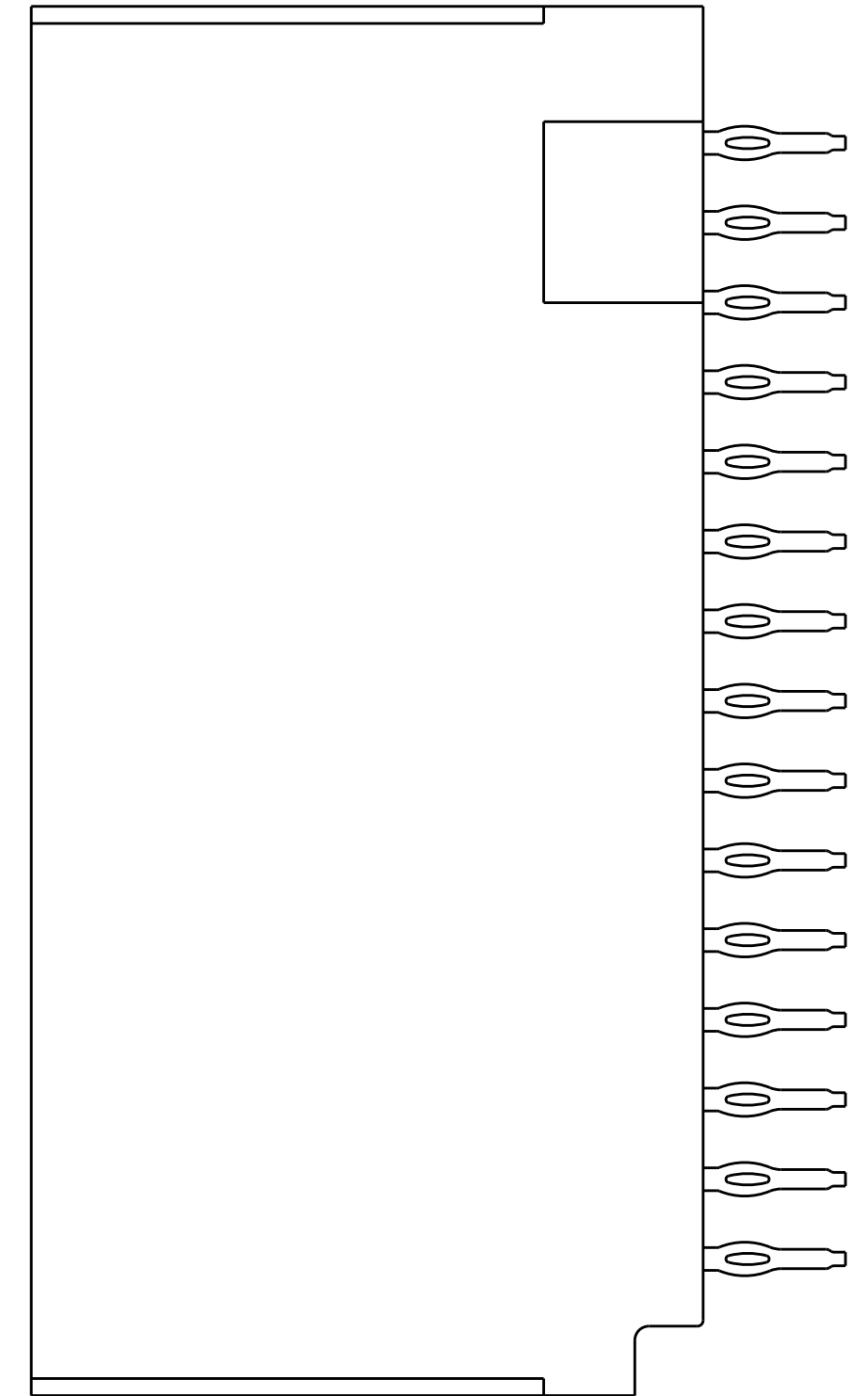
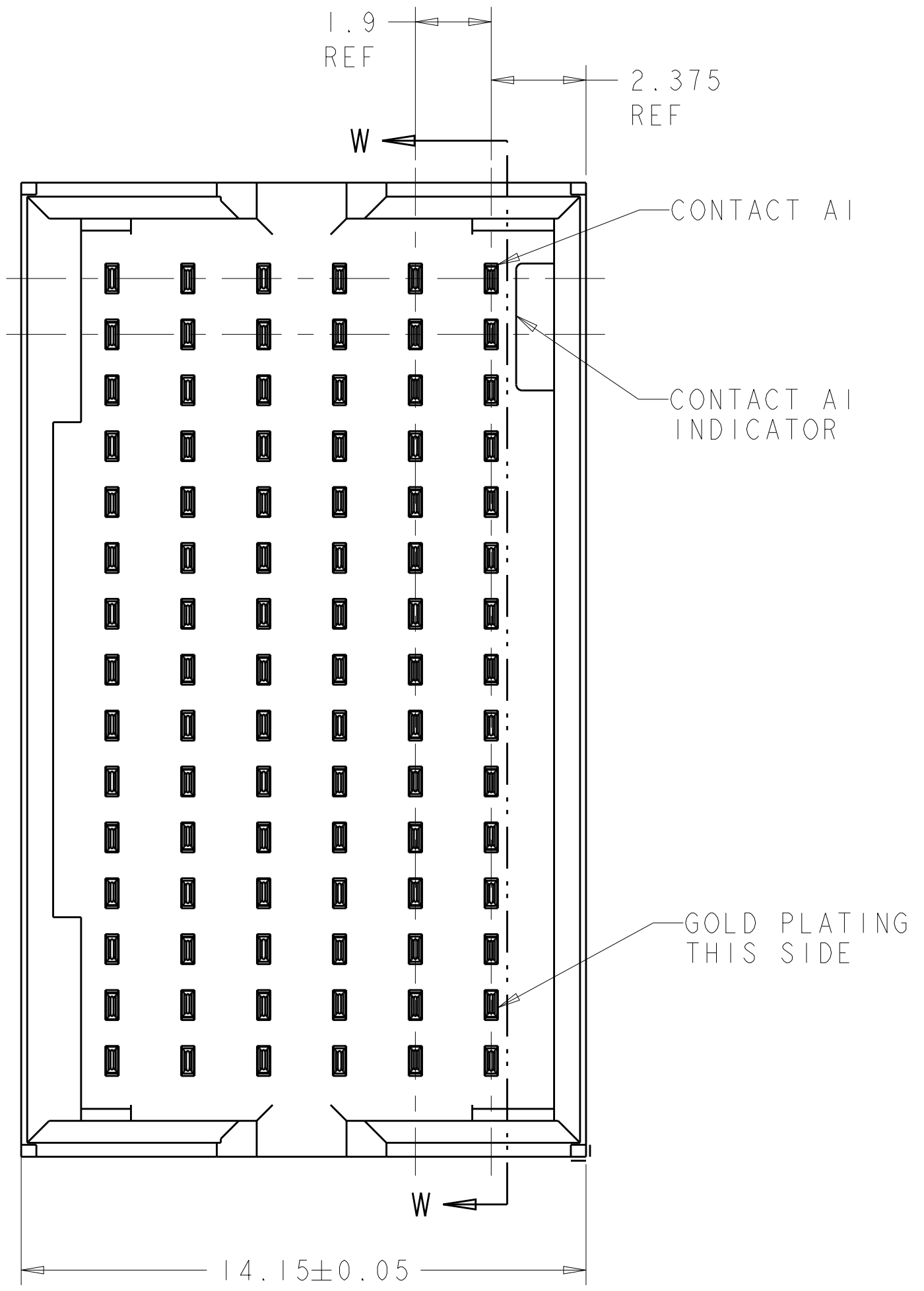


LOC		DIST		REVISONS			
GP	00	P	LTN	DESCRIPTION	DATE	DWN	APVD
		D		REVISED PER ECO-13-002771	25FEB2013	KH	RP



○ = SIGNAL
 ⊗ = GROUND
 RECOMMENDED PC BOARD LAYOUT BACKPLANE, COMPONENT SIDE SHOWN
 SCALE 6:1

- 1 MATERIAL:
 CONTACT - PHOS BRONZE
 HOUSING - LCP, UL 94V-0, COLOR - BLACK
- 2 FINISH:
 CONTACT AREA FINISH CONFORMS TO THE REQUIREMENTS OF TE PRODUCT SPECIFICATION 108-2303; BASED ON TELCORDIA GR-1217-CORE FOR SYSTEM QUALITY LEVEL III, APPLICATIONS IN CONTROLLED ENVIRONMENTS (CENTRAL OFFICE).
 COMPLIANT PIN AREA- 0.5µm MIN MATTE TIN OVER 1.27µm MIN NICKEL.
- 3 CONNECTOR MARKED WITH PART NUMBER, DATE CODE AND STANDARD IN APPROXIMATE AREA SHOWN
- 4 DATUMS AND BASIC DIMENSIONS ESTABLISHED BY CUSTOMER.
- 5. CONTACT AREA LUBRICATED WITH BELLCORE APPROVED LUBRICANT. TECHNICAL REFERENCE GR-1217-CORE, ISSUE 1, NOVEMBER 1995.
- 6 REFERENCE APPLICATION SPEC 114-13202 FOR RECOMMENDED PLATED THRU HOLE DIAMETER AND PLATING THICKNESSES.

1934322-1
 PART NUMBER

THIS DRAWING IS A CONTROLLED DOCUMENT.		DWN B. MCMASTER 05JUN2007	TE Connectivity	
DIMENSIONS:		CHK W. DAVIS 05JUN2007	NAME HEADER ASSEMBLY, DOUBLE WALL, 5 PAIR 6 COLUMN TinMan	
mm	TOLERANCES UNLESS OTHERWISE SPECIFIED:	APVD W. DAVIS 05JUN2007	SIZE A1	CAGE CODE 100779
0 PLC	±	PRODUCT SPEC	DRAWING NO 1934322	RESTRICTED TO
1 PLC	±	APPLICATION SPEC	SCALE 8:1	SHEET 1
2 PLC	±	WEIGHT	OF 1	REV D
3 PLC	±	CUSTOMER DRAWING		
4 PLC	±			
ANGLES	±			