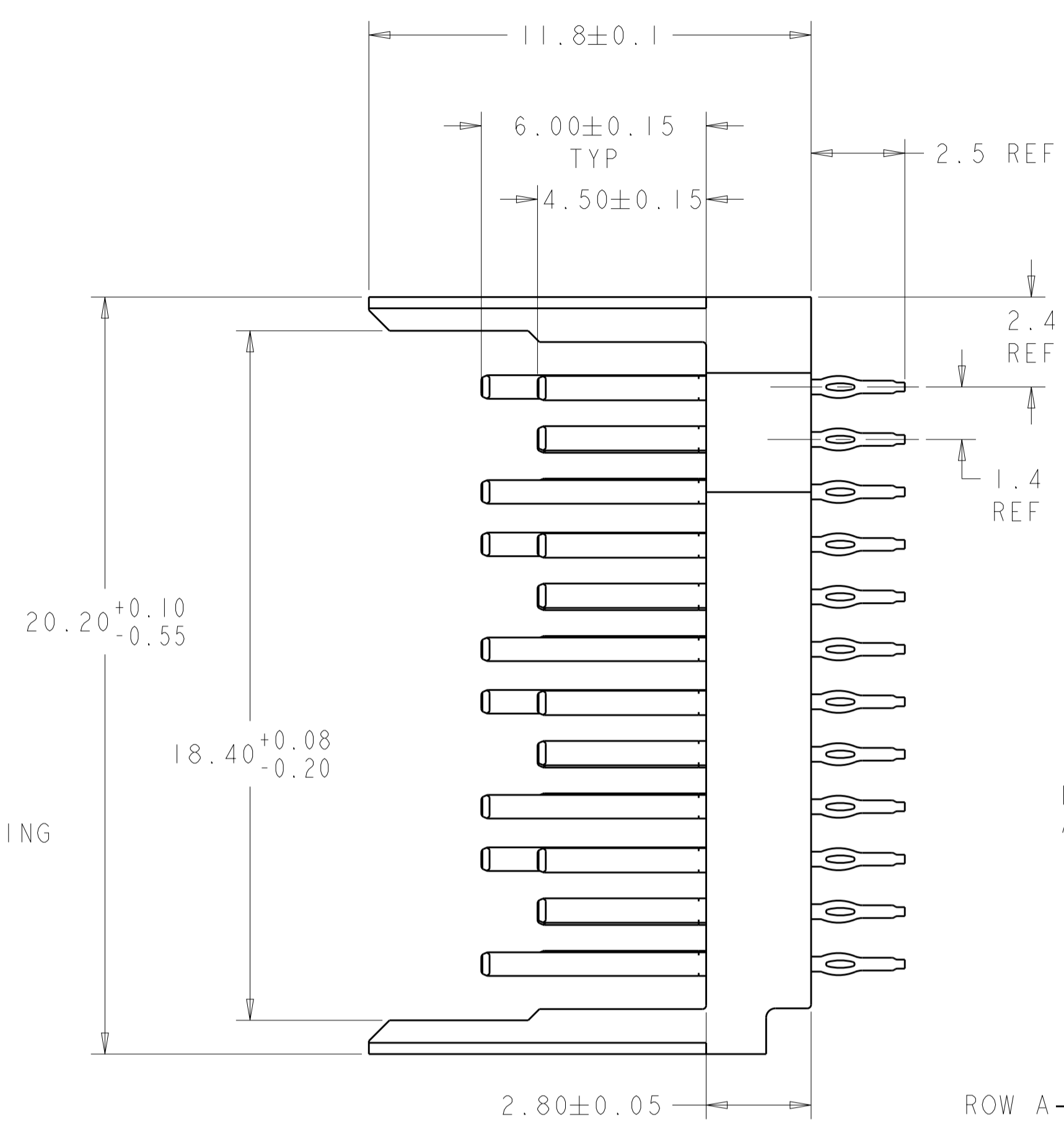
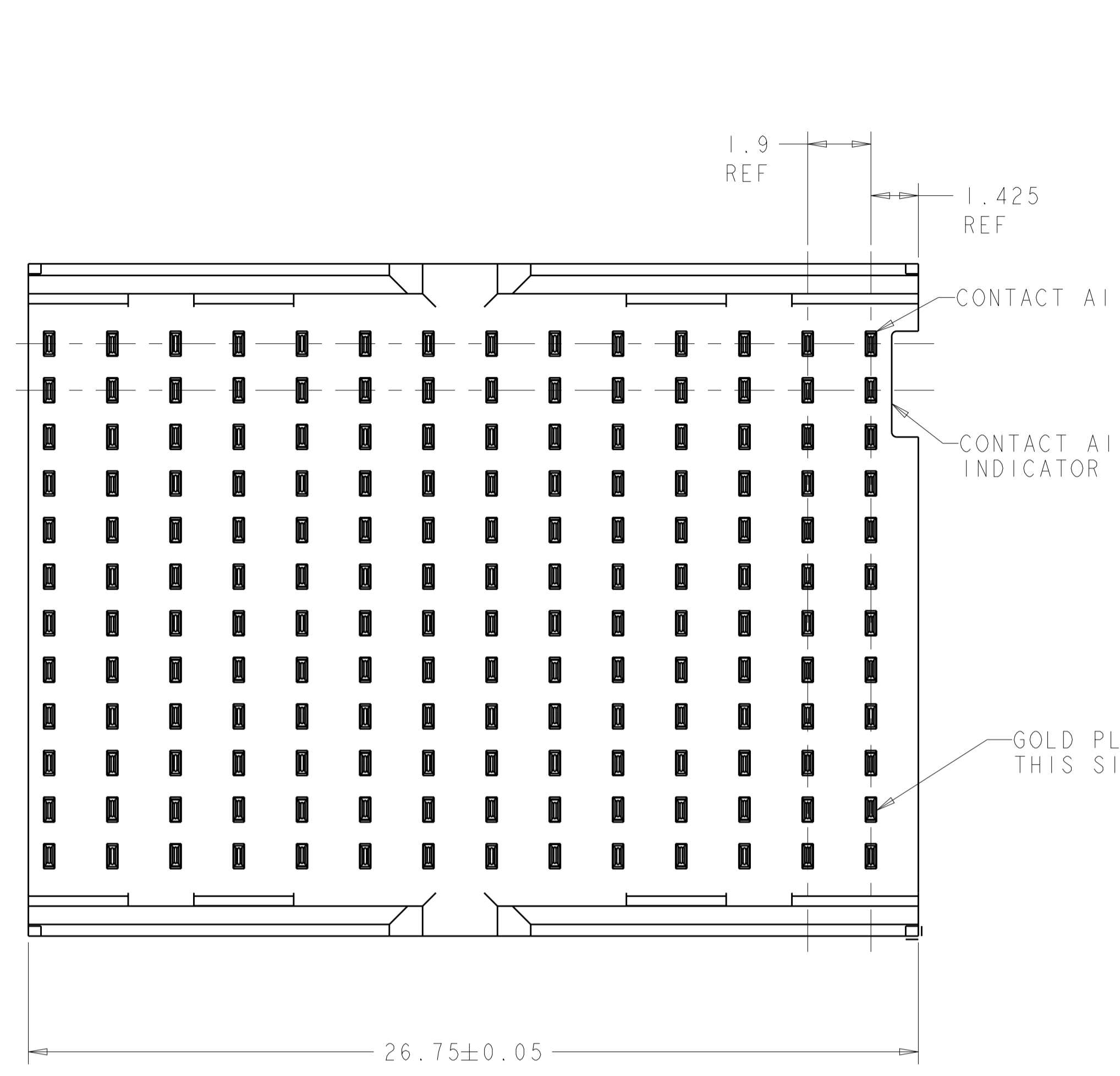
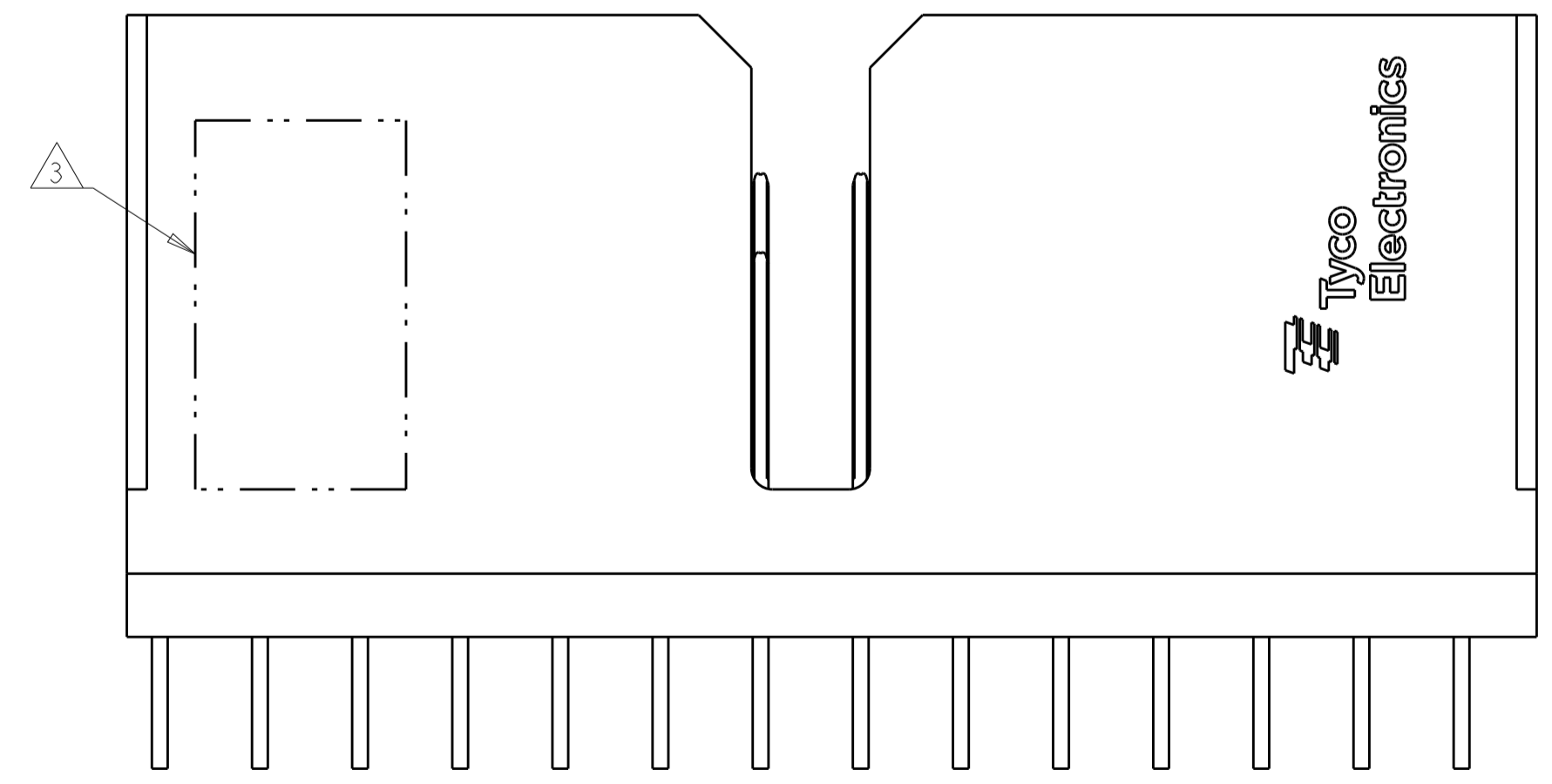
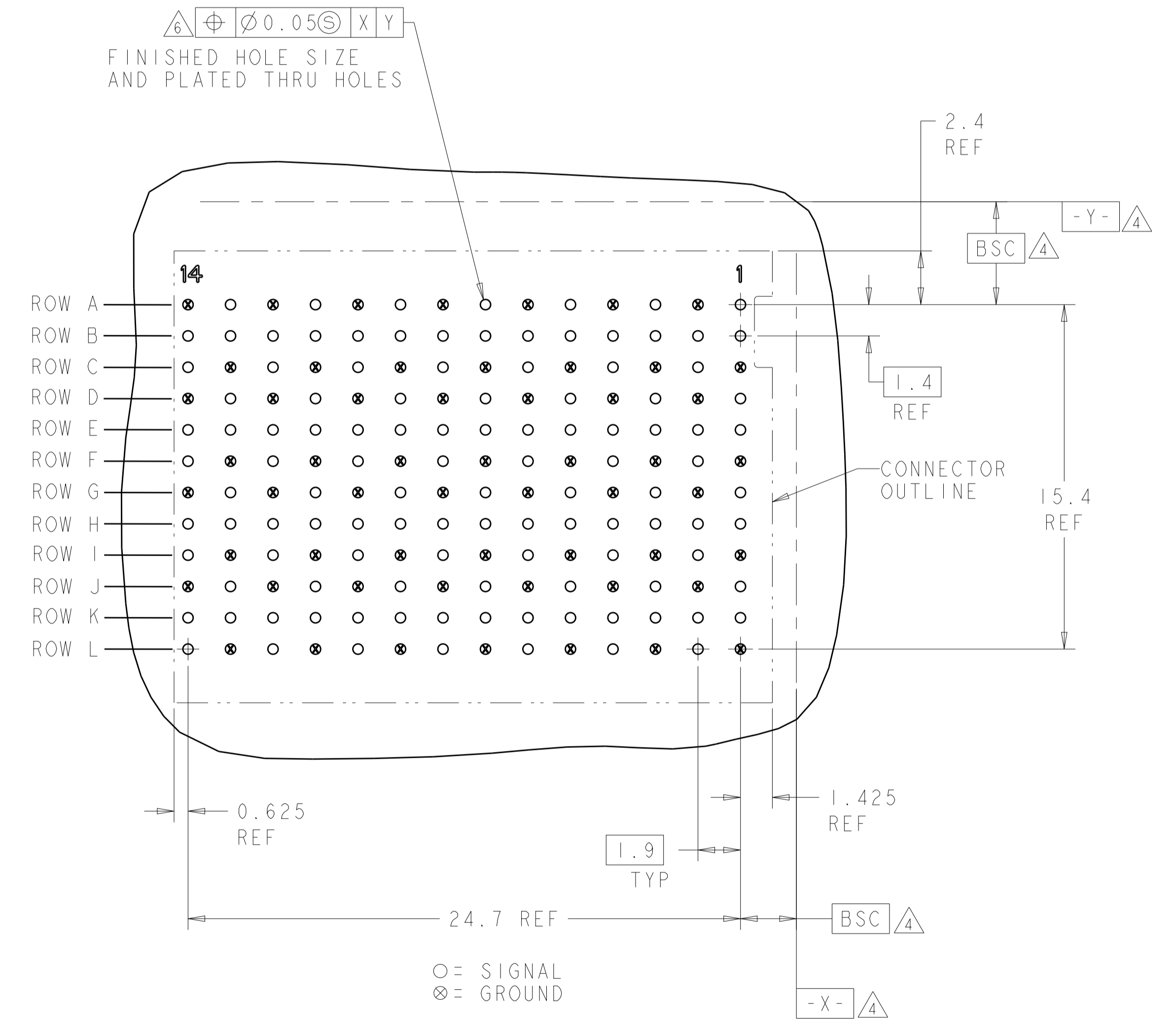


LOC	DIST	REVISIONS			
P	LTN	DESCRIPTION	DATE	DMN	APVD
D		REVISED PER ECO-13-002771	23FEB2013	KH	RP



- 1 MATERIAL:
CONTACT - PHOS BRONZE
HOUSING - LCP, UL 94V-0, COLOR - BLACK
- 2 FINISH:
CONTACT AREA FINISH CONFORMS TO THE REQUIREMENTS OF TE PRODUCT SPECIFICATION 108-2303; BASED ON TELCORDIA GR-1217-CORE FOR SYSTEM QUALITY LEVEL III APPLICATIONS IN CONTROLLED ENVIRONMENTS (CENTRAL OFFICE).
COMPLIANT PIN AREA- 0.5µm MIN MATTE TIN OVER 1.27µm MIN NICKEL.
- 3 CONNECTOR MARKED WITH PART NUMBER, DATE CODE AND STANDARD IN APPROXIMATE AREA SHOWN
- 4 DATUMS AND BASIC DIMENSIONS ESTABLISHED BY CUSTOMER.
- 5. CONTACT AREA LUBRICATED WITH BELLCORE APPROVED LUBRICANT. TECHNICAL REFERENCE GR-1217-CORE, ISSUE 1, NOVEMBER 1995.
- 6 REFERENCE APPLICATION SPEC 114-13202 FOR RECOMMENDED PLATED THRU HOLE DIAMETER AND PLATING THICKNESSES.



RECOMMENDED PB BOARD LAYOUT BACKPLANE COMPONENT SIDE SHOWN SCALE 6:1

1934288-1
PART NUMBER

THIS DRAWING IS A CONTROLLED DOCUMENT.		DMN B.MCMASIER 16MAY07	TE Connectivity
DIMENSIONS: mm		CHK W.DAVIS 16MAY07	
TOLERANCES UNLESS OTHERWISE SPECIFIED:		APVD W.DAVIS 16MAY07	NAME: HEADER ASSEMBLY, OPEN ENDED, 4 PAIR 14 COLUMN TinMan
0 PLC ±		PRODUCT SPEC	
1 PLC ±		APPLICATION SPEC	SIZE: CAGE CODE: DRAWING NO: A100779C=1934288
2 PLC ±		RESTRICTED TO	SCALE: 6:1 SHEET 1 OF 1 REV D
3 PLC ±			
4 PLC ±			
ANGLES ±			
FINISH			
MATERIAL			
CUSTOMER DRAWING			