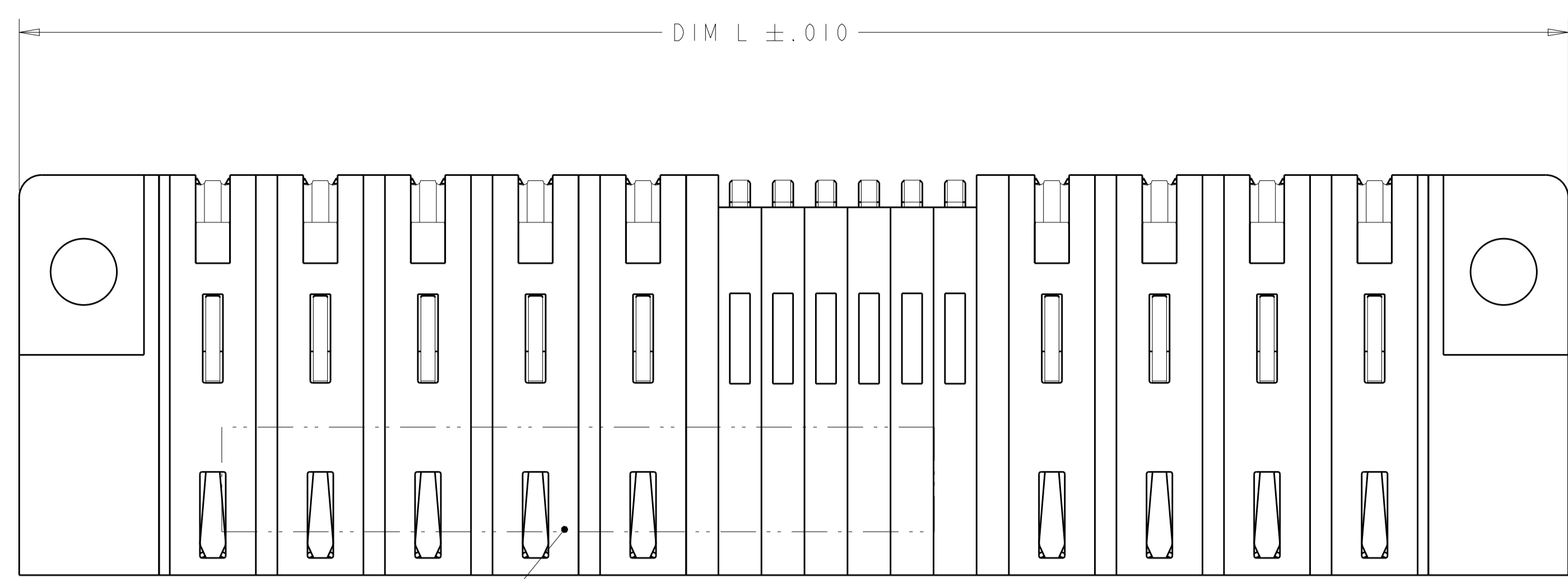
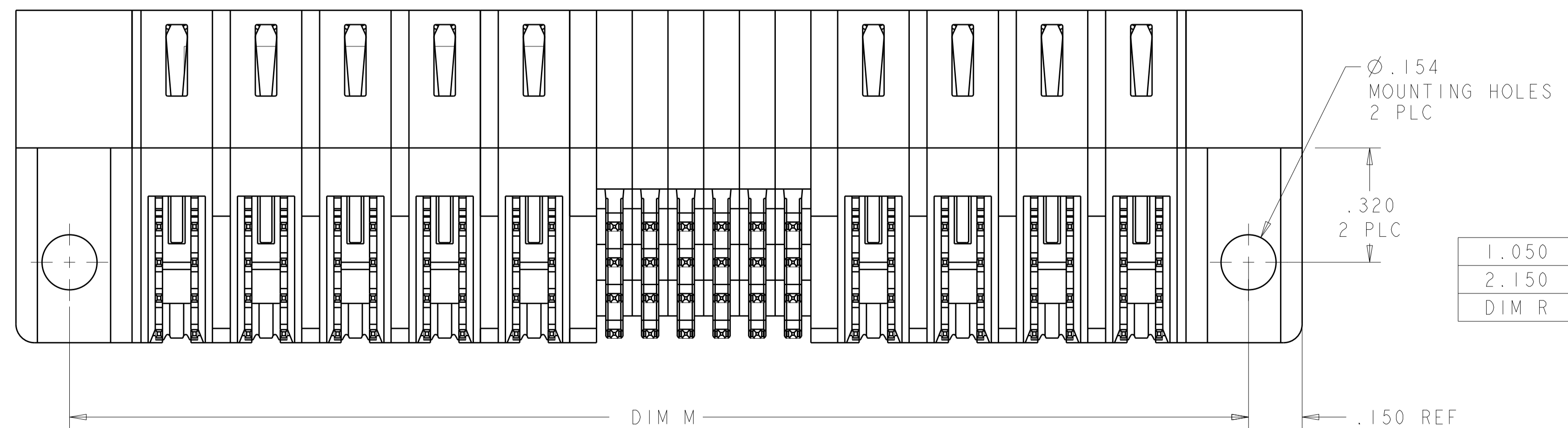
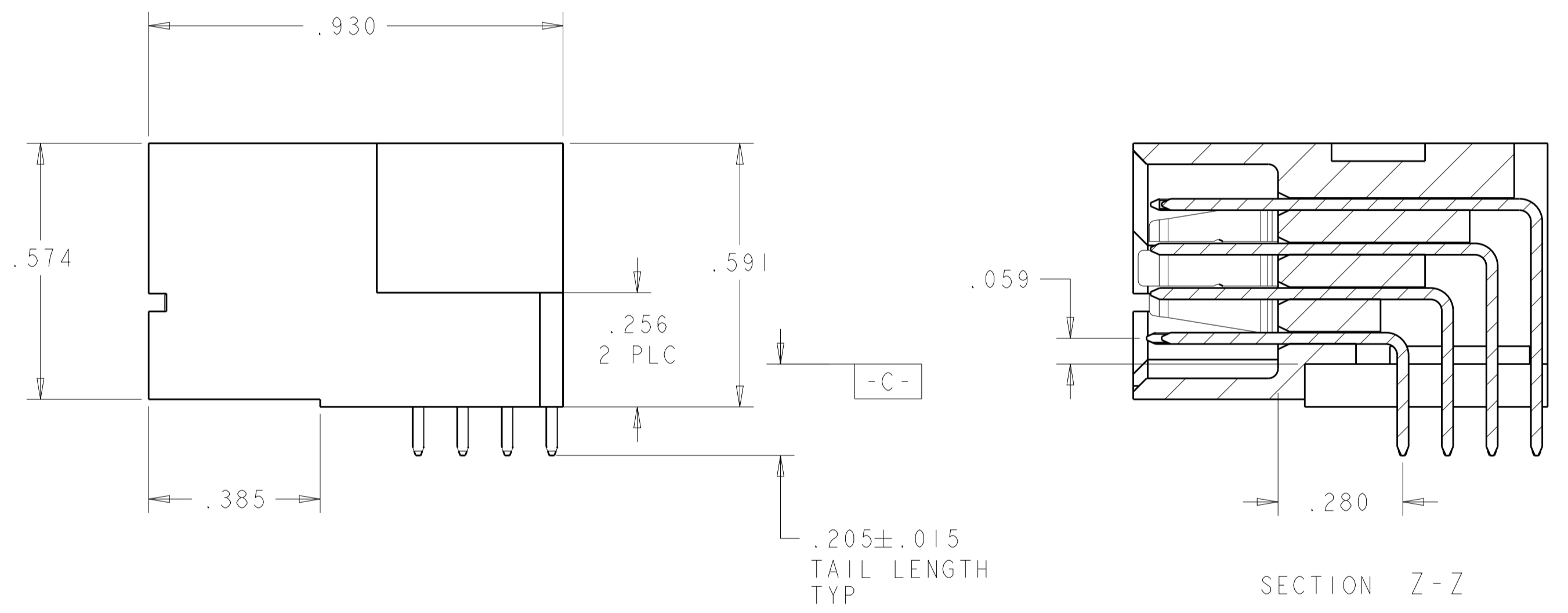
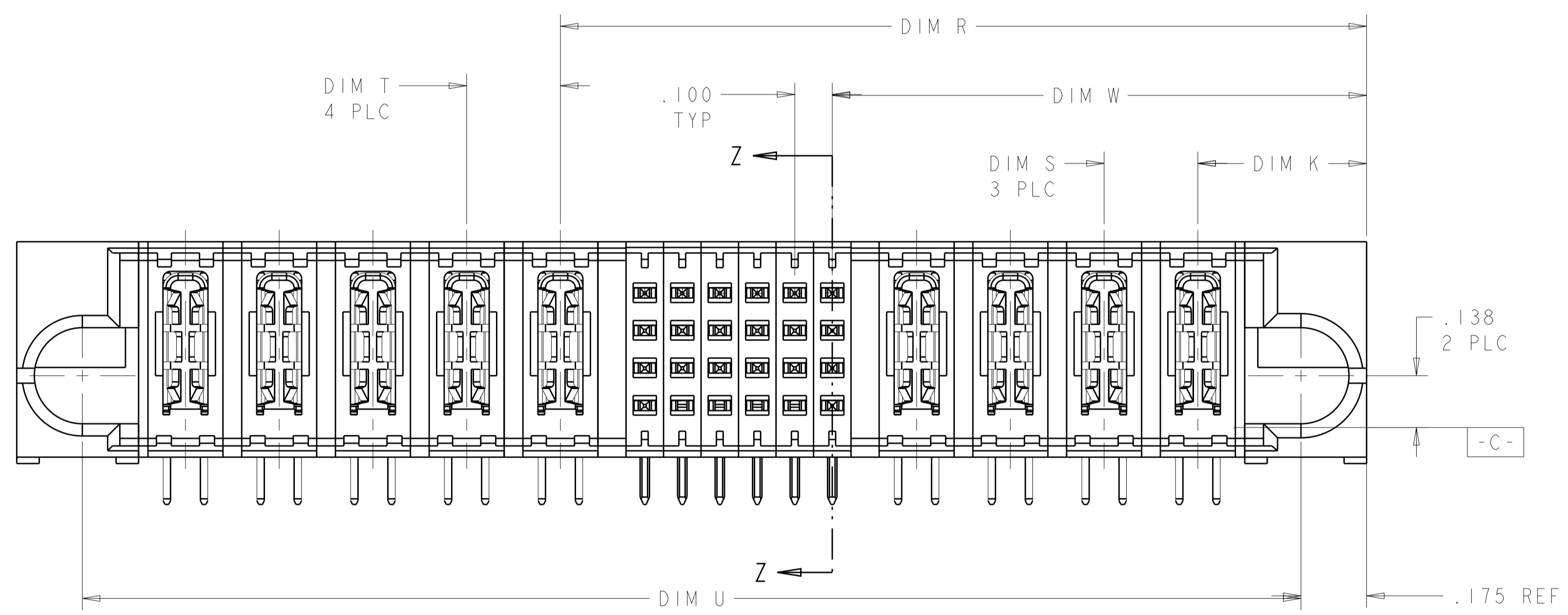


LOC	DIST	REVISIONS					
		P	LTN	DESCRIPTION	DATE	DMN	APVD
ES	00	3		ADDED THE DASH NUMBER -2	21AUG2012	ML	SZ



- 1 "AMP", PART NUMBER AND DATE CODE TO BE MARKED IN AREA SHOWN. PARTS UNDER 2.00 LONG MAY BE MARKED ON BOTH SIDES.
- 2 MATERIAL: HOUSING - GLASS FILLED HIGH TEMP THERMO PLASTIC, UL94 V-0.
SIGNAL CONTACT - COPPER ALLOY
POWER CONTACT - HIGH CONDUCTIVITY COPPER ALLOY
- 3 CONTACT PLATING: NOBLE METAL PLATING AT CONTACT FUNCTIONAL AREA OF POWER AND SIGNAL CONTACTS.
PLEASE REFER TO THE PLATING SPECIFICATION 2204100, 2204102.
- 4 MECHANICAL CONNECTOR KEEP OUT ZONE.
- 5 DATUM AND BASIC DIMENSIONS ESTABLISHED BY CUSTOMER.
- 6 PCB - ALL HOLE DIAMETERS ARE FINISHED HOLE SIZES
- 7 PCB - .0453±.0010 DRILLED HOLES PLATED WITH .0003 MIN Sn OVER .001 TO .003 Cu PLATING TO ACHIEVE A .040 DIAMETER HOLE
- 8 FOR THE CONFIGURATION FOR *S+*P, PLEASE THE SHEET 2.



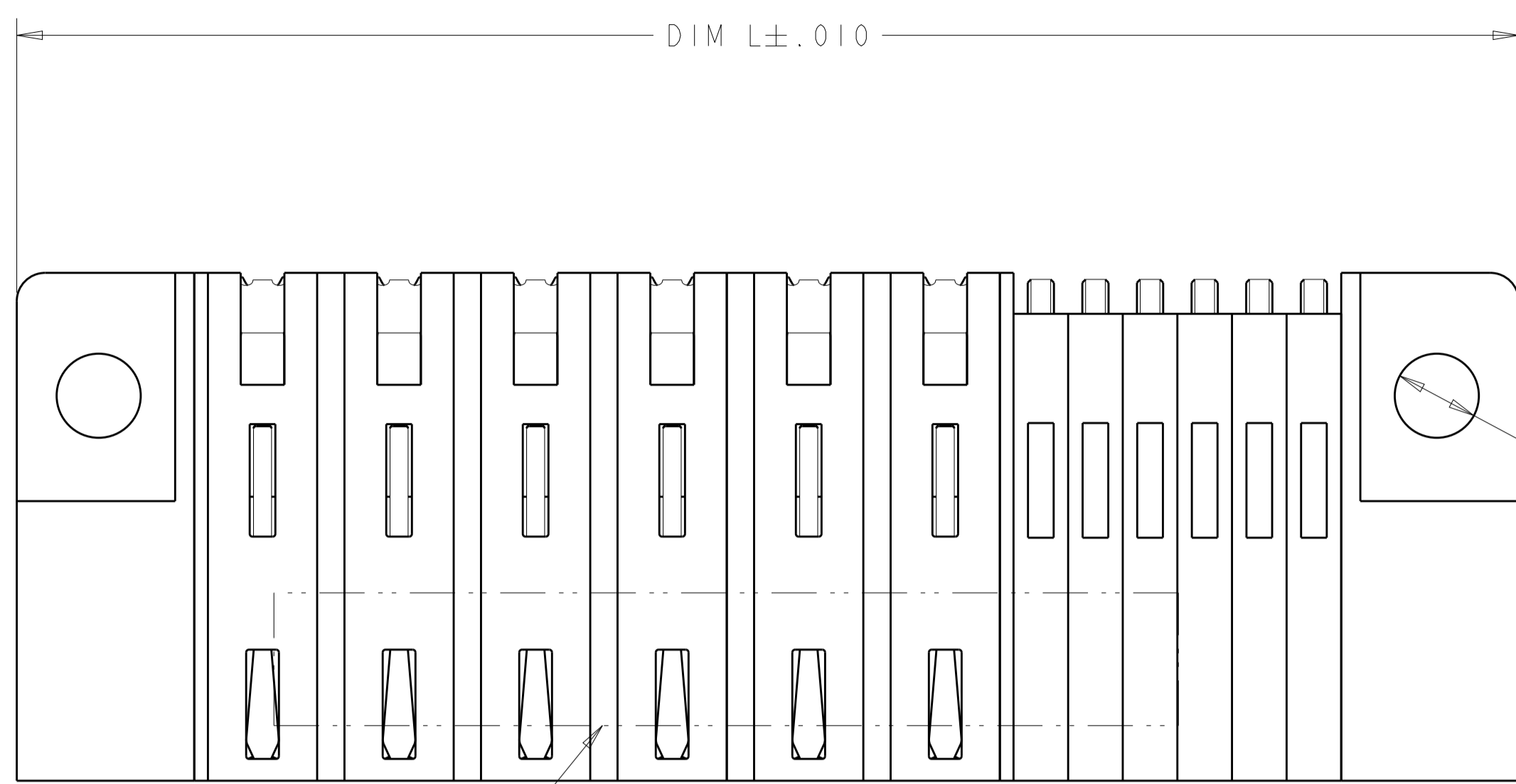
PROPOSAL ONLY

1.050	.375	-	.250	-	2.450	2.400	2.750	24S + 6P	1932046-2
2.150	1.425	.450	.250	.250	3.300	3.250	3.600	4P + 24S + 5P	1932046-1
DIM R	DIM W	DIM K	DIM T	DIM S	DIM M	DIM U	DIM L	DESCRIPTION	PART NUMBER

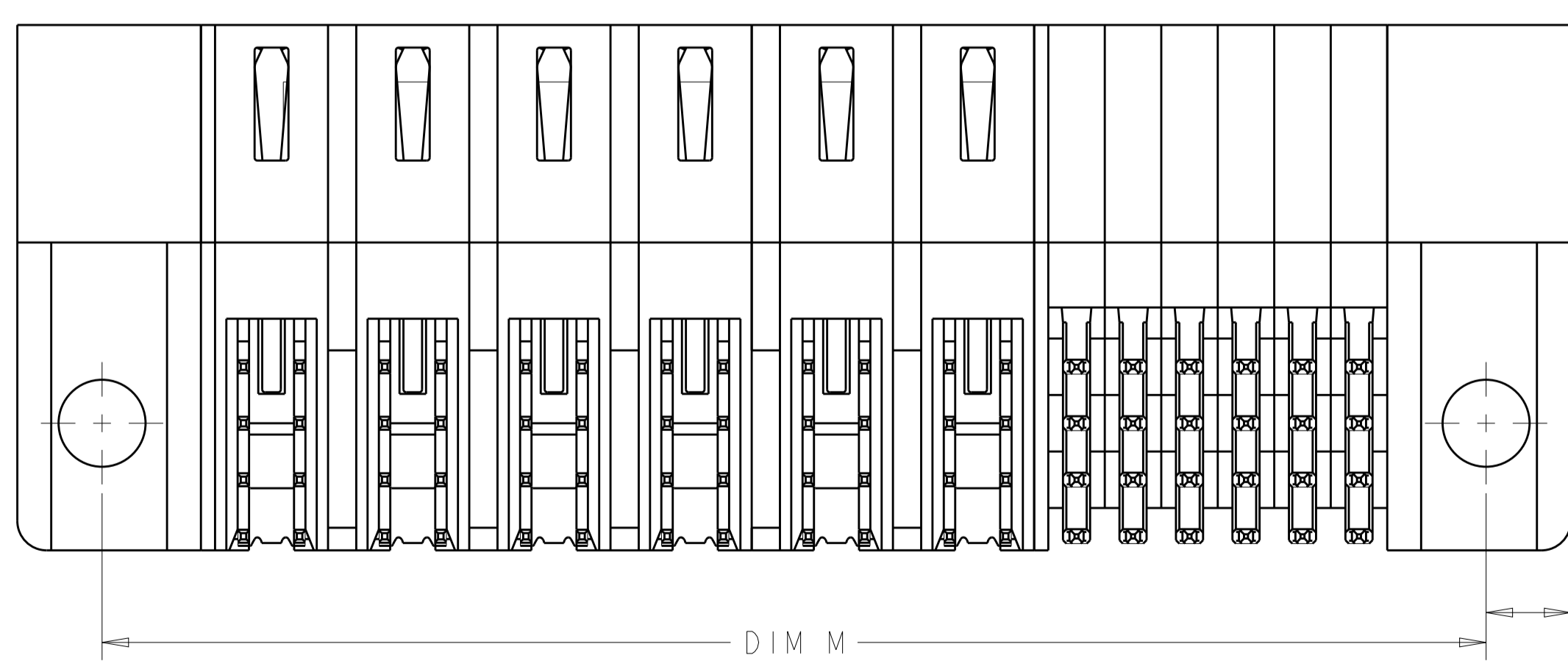
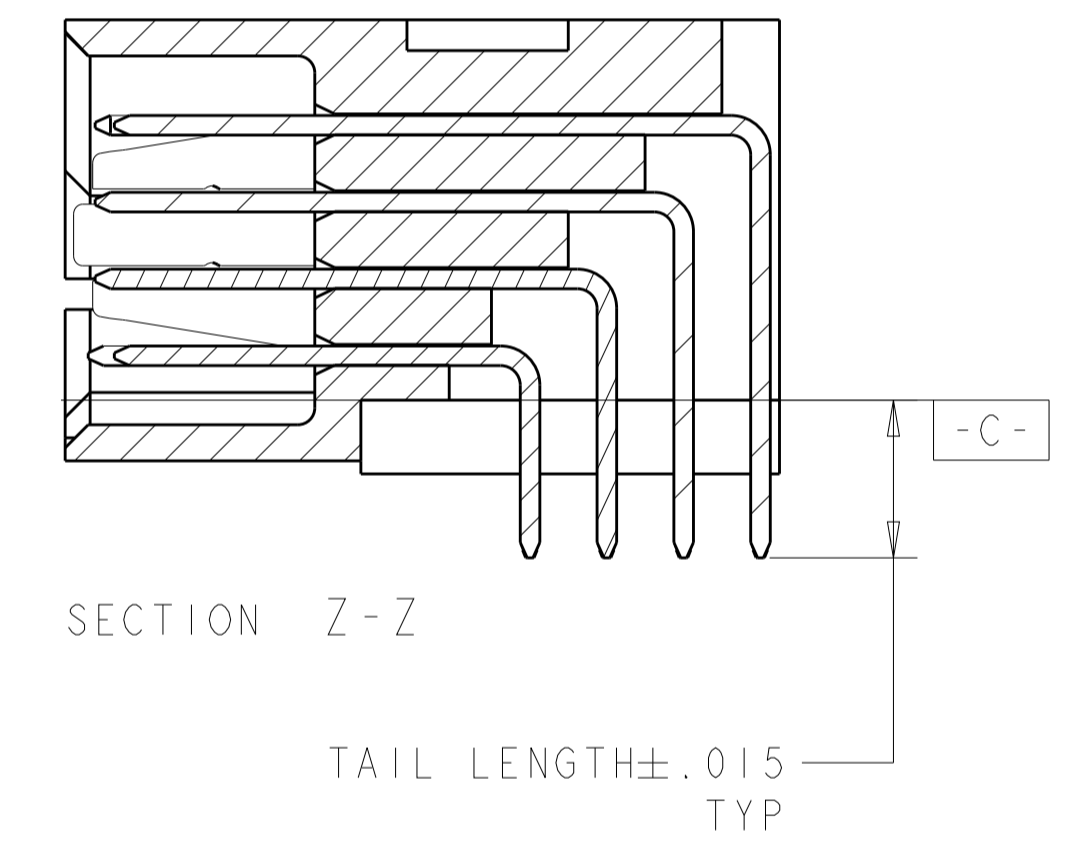
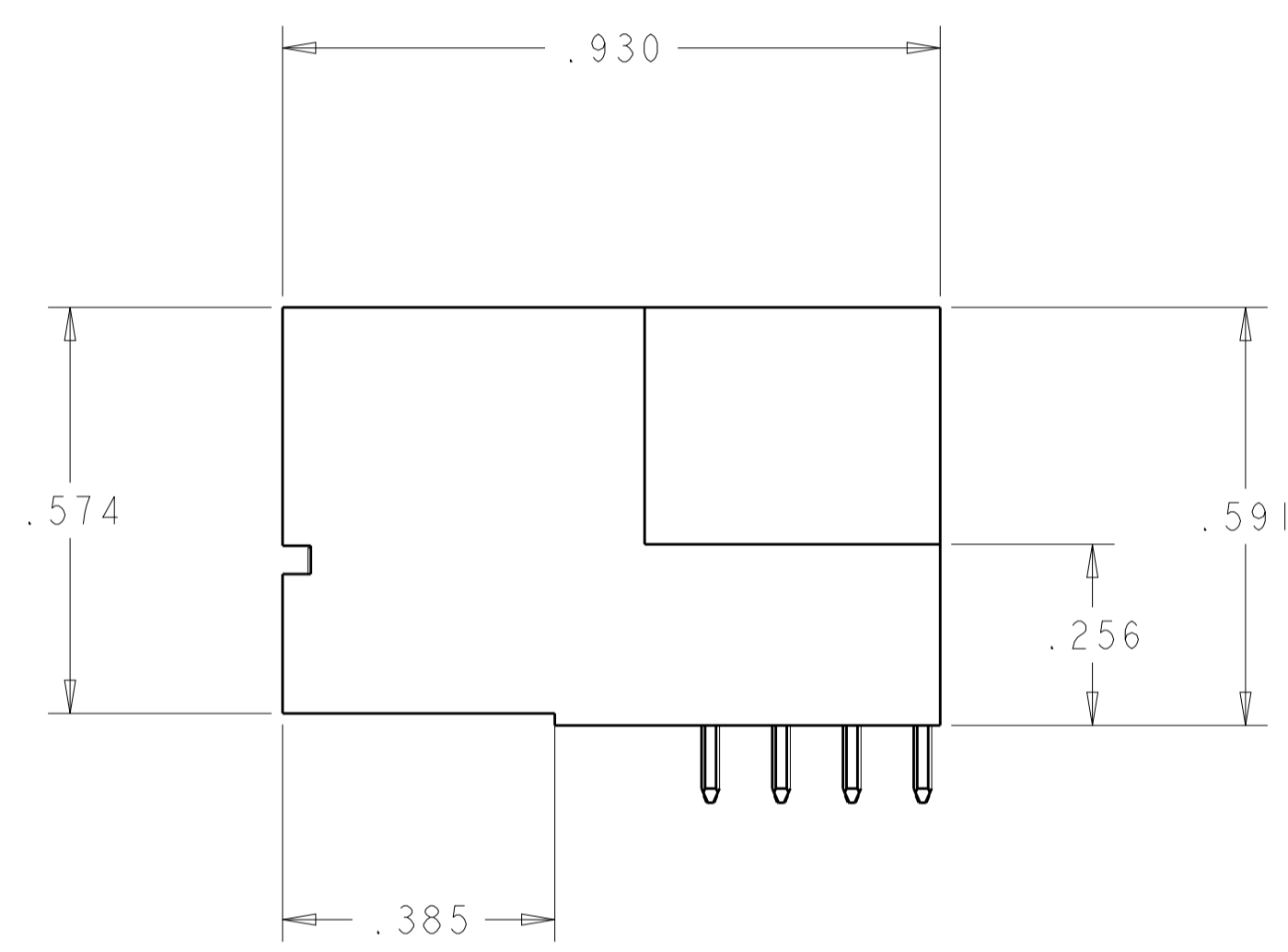
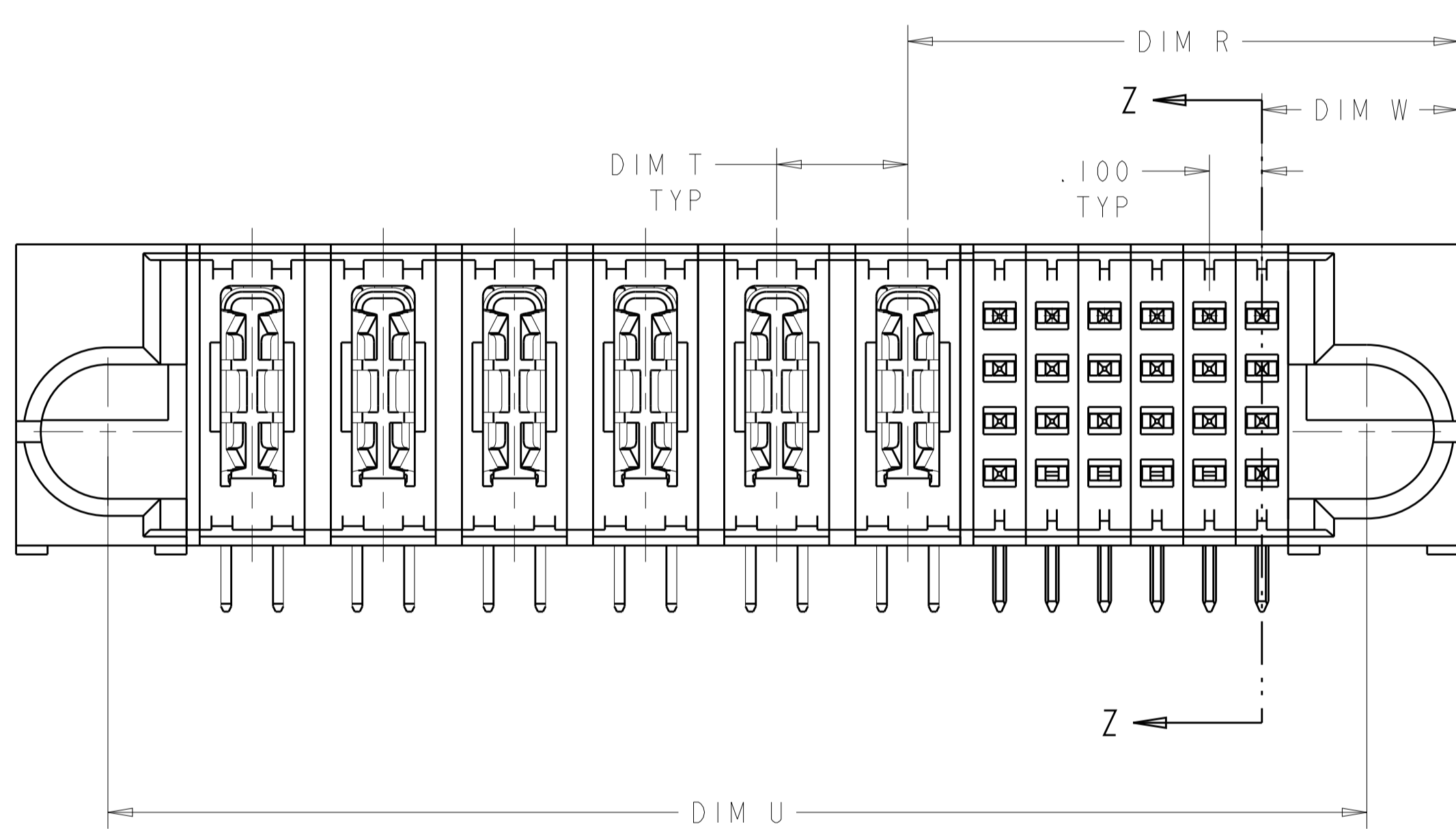
THIS DRAWING IS A CONTROLLED DOCUMENT.

DIMENSIONS: INCHES	TOLERANCES UNLESS OTHERWISE SPECIFIED:	DMN: MAC LIU 21AUG2012	CHK: SUNY ZHAO 21AUG2012	APVD: SUNY ZHAO 21AUG2012
0 PLC ±	1 PLC ±.01	PRODUCT SPEC	NAME	RESTRICTED TO
2 PLC ±.01	3 PLC ±.005	108-2292	RIGHT ANGLE HEADER SOLDER WITH INVERTED GUIDES MULTI-BEAM XLE	
4 PLC ±.0020	ANGLES ±.020	APPLICATION SPEC	SIZE	
FINISH		114-13251	CAGE CODE	
		WEIGHT	A100779	
		CUSTOMER DRAWING	SCALE	
			4:1	
			SHEET	
			1	
			OF	
			3	
			REV	
			3	

LOC	DIST	REVISIONS					
		P	LTN	DESCRIPTION	DATE	DMN	APVD
ES	00	-	-	SEE SHEET 1	-	-	-



Ø.154
MOUNTING HOLES
2 PLC



D	SIGNAL CONTACT, STD .135 TAIL LENGTH	J
C	SIGNAL CONTACT, STD .135 TAIL LENGTH	K
B	SIGNAL CONTACT, STD .135 TAIL LENGTH	N
A	SIGNAL CONTACT, STD .135 TAIL LENGTH	S
-	POWER CONTACT, SOLDER, .135 TAIL LENGTH	TM
D	SIGNAL CONTACT, MLBF .205 TAIL LENGTH	LE
A	SIGNAL CONTACT, MLBF .205 TAIL LENGTH	LH
D	SIGNAL CONTACT, STD .205 TAIL LENGTH	LJ
C	SIGNAL CONTACT, STD .205 TAIL LENGTH	LK
B	SIGNAL CONTACT, STD .205 TAIL LENGTH	LN
A	SIGNAL CONTACT, STD .205 TAIL LENGTH	LS
-	POWER CONTACT, .205 TAIL LENGTH	PL
ROW	DESCRIPTION	CODE

THE CONFIGURATION FOR *S + *P
 PART NUMBER: 1932046-2

THIS DRAWING IS A CONTROLLED DOCUMENT. DWN: MAC LIU 21AUG2012
 CHK: SUNY ZHAO 21AUG2012
 APVD: SUNY ZHAO 21AUG2012

TE TE Connectivity

NAME: RIGHT ANGLE HEADER SOLDER WITH INVERTED GUIDES MULTI-BEAM XLE

PRODUCT SPEC: 108-2292
 APPLICATION SPEC: 114-13251
 SIZE: 114-13251
 WEIGHT: -
 FINISH: -

MATERIAL: -

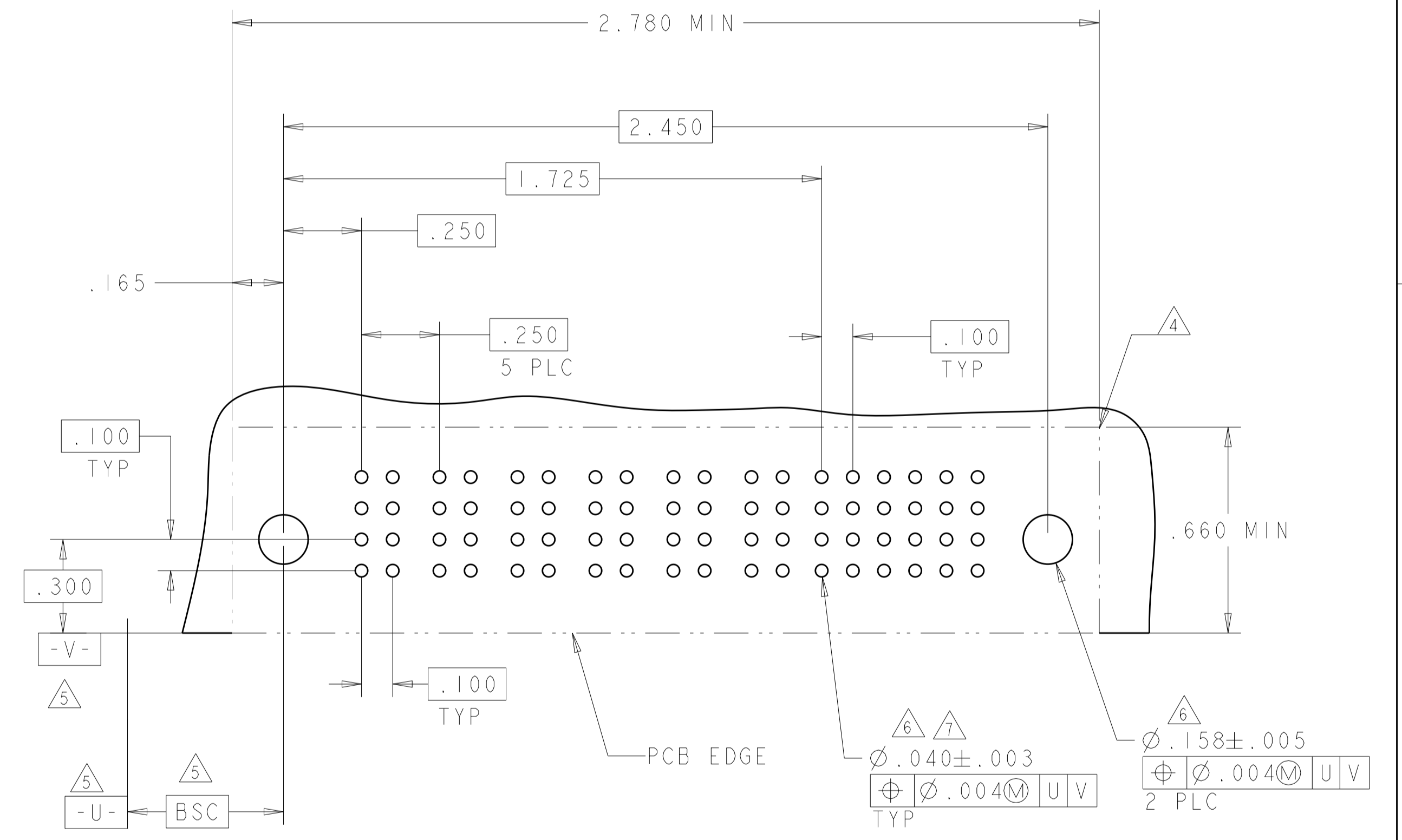
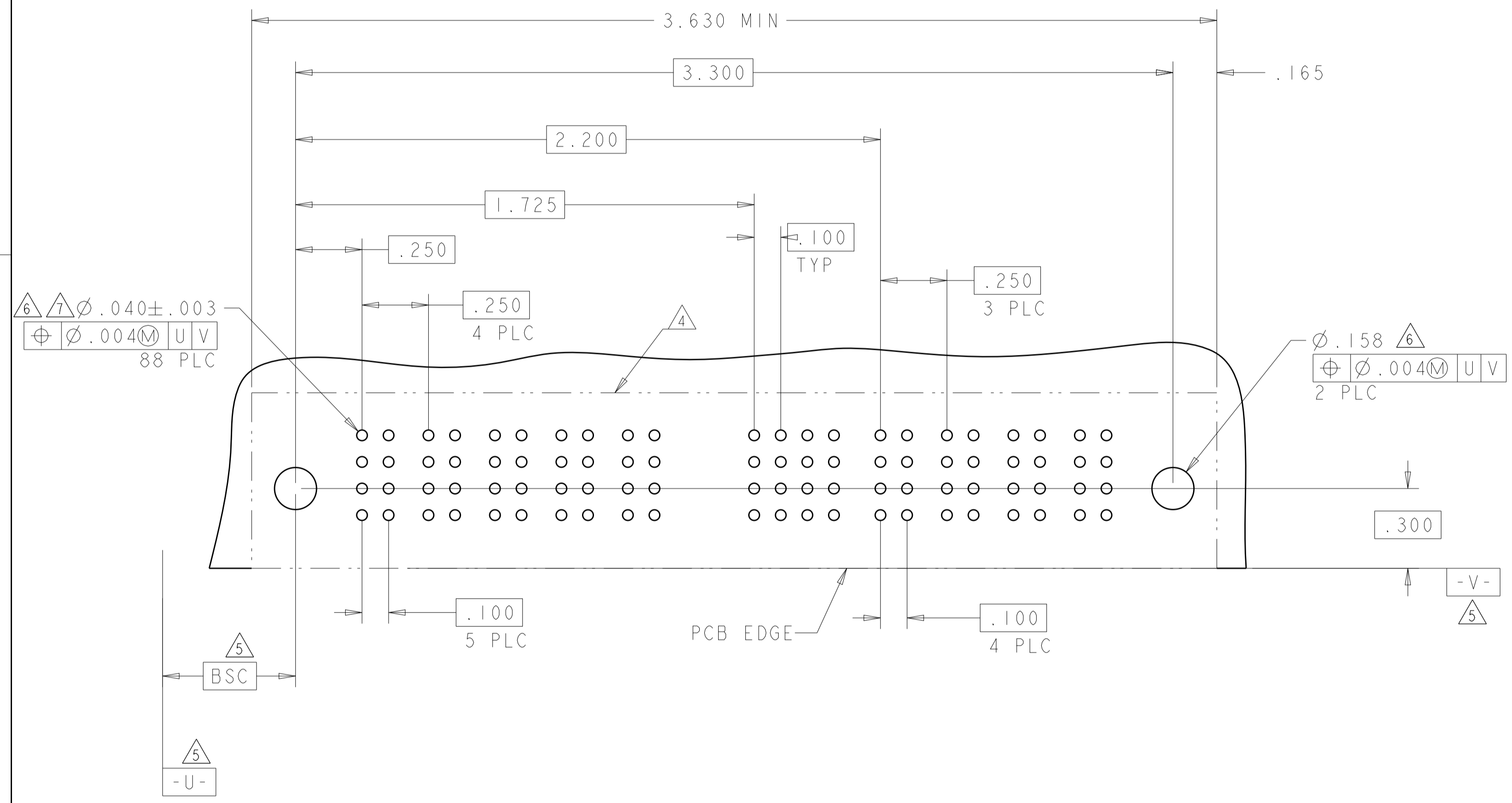
CUSTOMER DRAWING

SCALE: 4:1 SHEET 2 OF 3 REV 3

LOC	DIST	REVISIONS			
P	LTH	DESCRIPTION	DATE	DMN	APVD
-	-	SEE SHEET 1	-	-	-

PART NUMBER	ROWS	POWER					SIGNAL						POWER			
		P9	P8	P7	P6	P5	6	5	4	3	2	1	P4	P3	P2	P1
1932046-1	D C B A	PL	PL	PL	PL	LE	LE	LJ	LJ	LJ	LE	PL	PL	PL	PL	
						LK	LK	LK	LK	LK	LK					
						LN	LN	LN	LN	LN	LN					
						LH	LS	LS	LS	LS	LH					
4P + 24S + 5P																

PART NUMBER	ROWS	POWER						SIGNAL							
		P6	P5	P4	P3	P2	P1	6	5	4	3	2	1		
1932046-2	D C B A	TM	TM	TM	TM	TM	J	J	J	J	J	TM	TM	TM	
							K	K	K	K	K				K
							N	N	N	N	N				N
							S	S	S	S	S				S
24S + 6P															



THIS DRAWING IS A CONTROLLED DOCUMENT.

DIMENSIONS:	TOLERANCES UNLESS OTHERWISE SPECIFIED:	DMN	MAC LIU	21AUG2012
INCHES	0 PLC ± .01	CHK	SUNY ZHAO	21AUG2012
	1 PLC ± .01	APVD	SUNY ZHAO	21AUG2012
	2 PLC ± .01	NAME	RIGHT ANGLE HEADER SOLDER WITH INVERTED GUIDES MULTI-BEAM XLE	
	3 PLC ± .005	PRODUCT SPEC	108-2292	
	4 PLC ± .0020	APPLICATION SPEC	114-13251	
	ANGLES ± .2°	SIZE	A100779C=1932046	
MATERIAL	FINISH	WEIGHT	SCALE 4:1 SHEET 3 OF 3 REV 3	
CUSTOMER DRAWING		RESTRICTED TO		