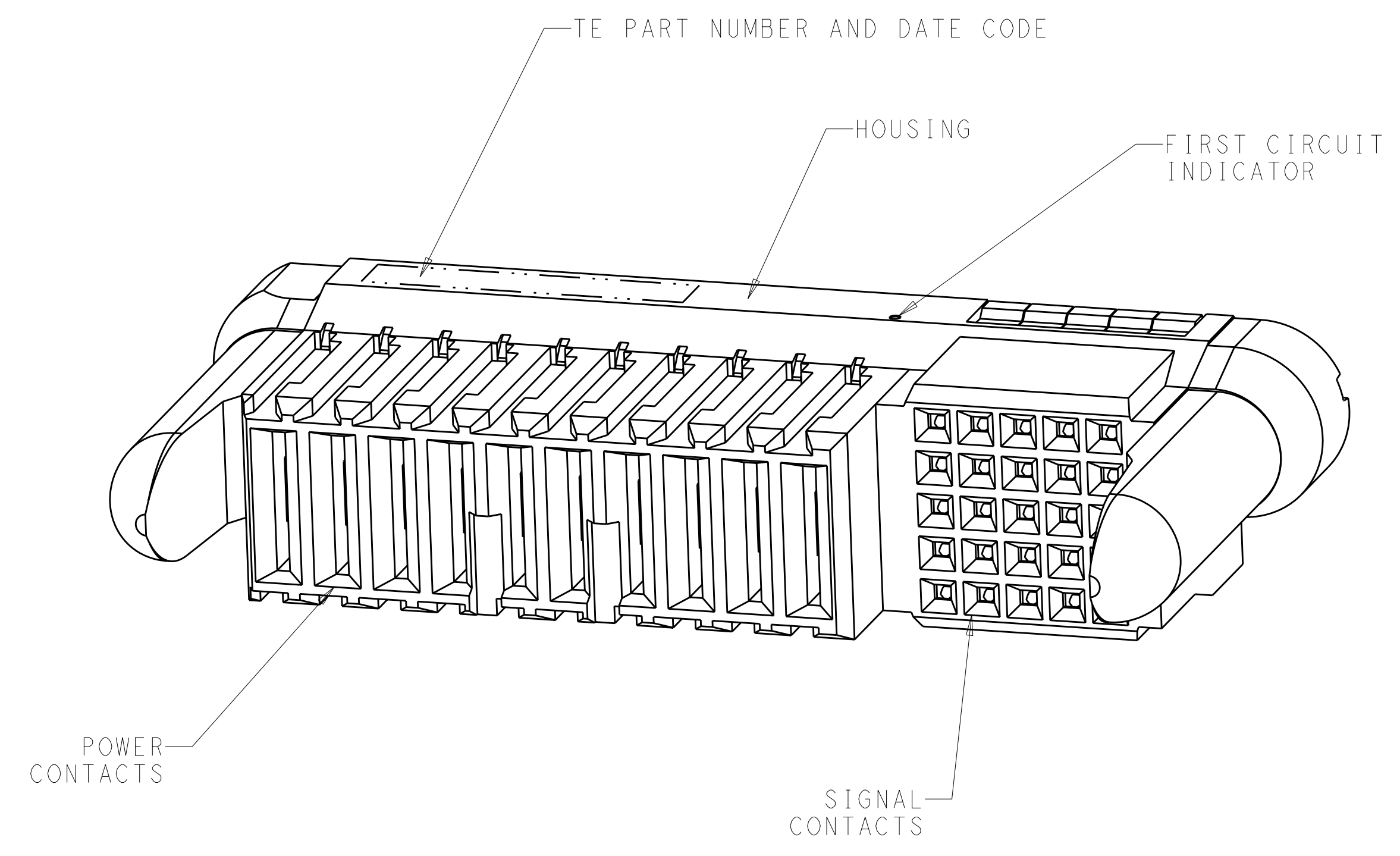
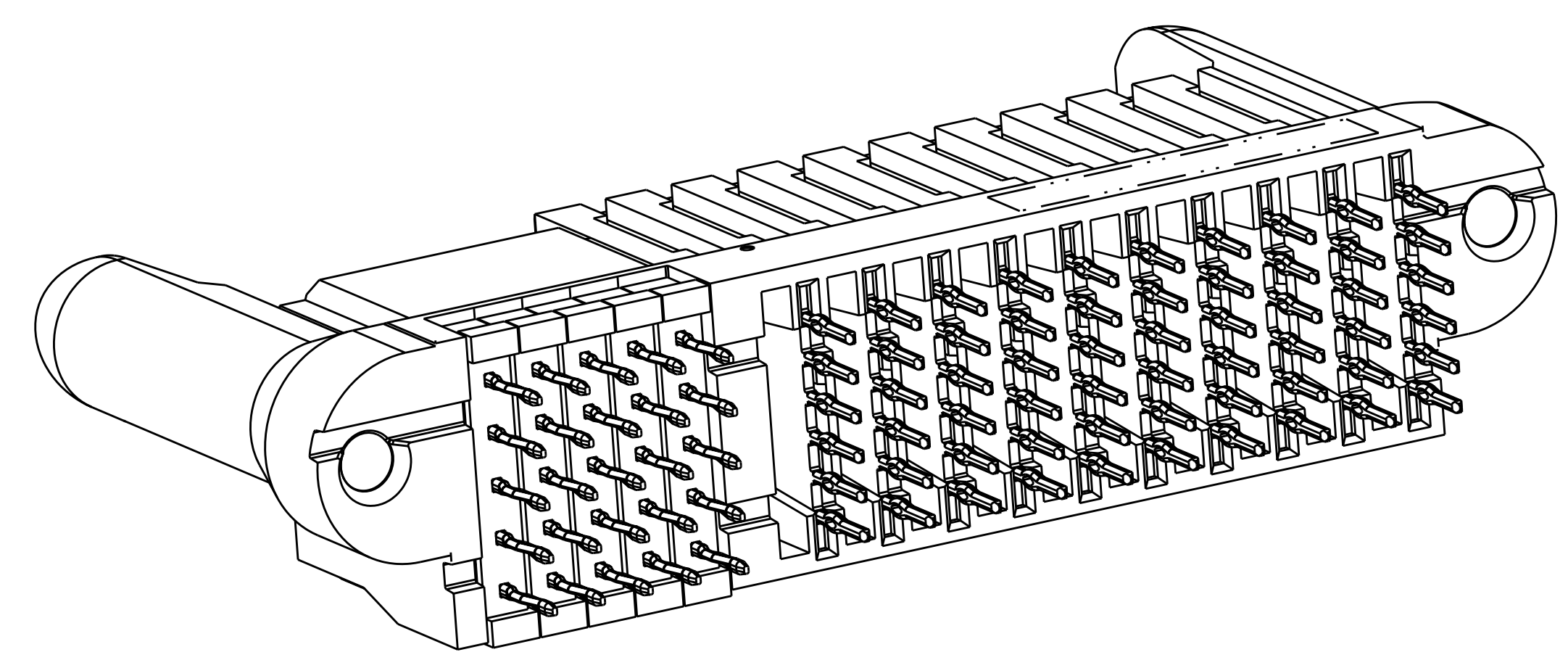


LOC	DIST	REVISIONS					
AA	00	P	LTB	DESCRIPTION	DATE	DWN	APVD
		1		PRELIMINARY	28MAR2011	J.R.	E.W.



- HOUSING: GLASS FILLED LIQUID CRYSTAL POLYMER, COLOR: BLACK, UL 94 V-O RATED
 SIGNAL CONTACT: PHOSPHOR BRONZE
 SIGNAL OVERMOLD: GLASS FILLED POLYESTER
 POWER CONTACT: COPPER ALLOY
 - SIGNAL CONTACT: 0.00127mm MIN NICKEL ALL OVER,
 MATING AREA: 0.00076mm MIN GOLD OR 0.00008mm MIN GOLD OVER
 0.00076mm MIN PALLADIUM-NICKEL,
 TAIL AREA: 0.0005mm MIN BRIGHT TIN-LEAD
 POWER CONTACT: 0.00127mm MIN NICKEL ALL OVER,
 MATING AREA: 0.00076mm MIN GOLD OR 0.00008mm MIN GOLD OVER
 0.00076mm MIN PALLADIUM-NICKEL,
 TAIL AREA: 0.0005mm MIN BRIGHT TIN-LEAD
 - CONTACT MATING AREA LUBRICATED WITH BELLCORE APPROVED LUBRICANT,
 TECHNICAL REFERENCE: GR-1217-CORE, ISSUE 1, NOVEMBER 1995
 - THIS CONNECTOR EMPLOYS UL RECOGNIZED Z-PACK 2mm HM SIGNAL CONTACTS
- ⚠ DATUMS AND BASIC DIMENSIONS TO BE ESTABLISHED BY CUSTOMER
 ⚠ SEE APPLICATION SPEC 114-13215 FOR PLATED THROUGH HOLE INFORMATION
 7. SEE CUSTOMER DRAWING 1926730 OR 1926732 FOR MATING CONNECTOR
 ⚠ UNPLATED HOLES



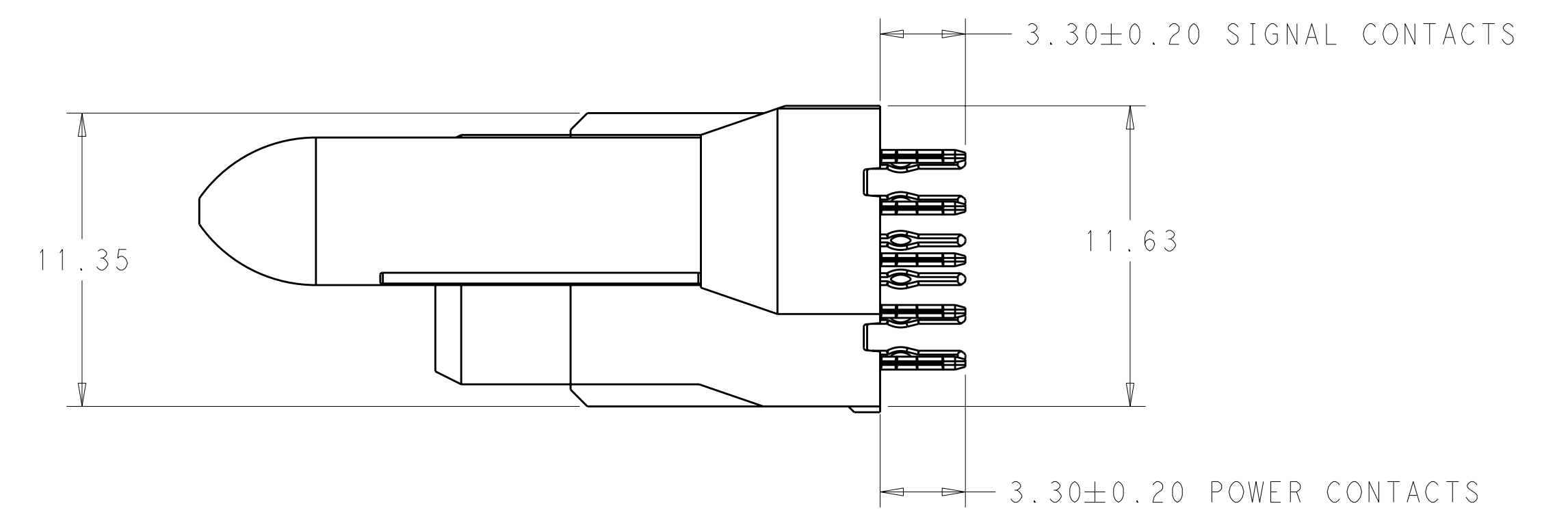
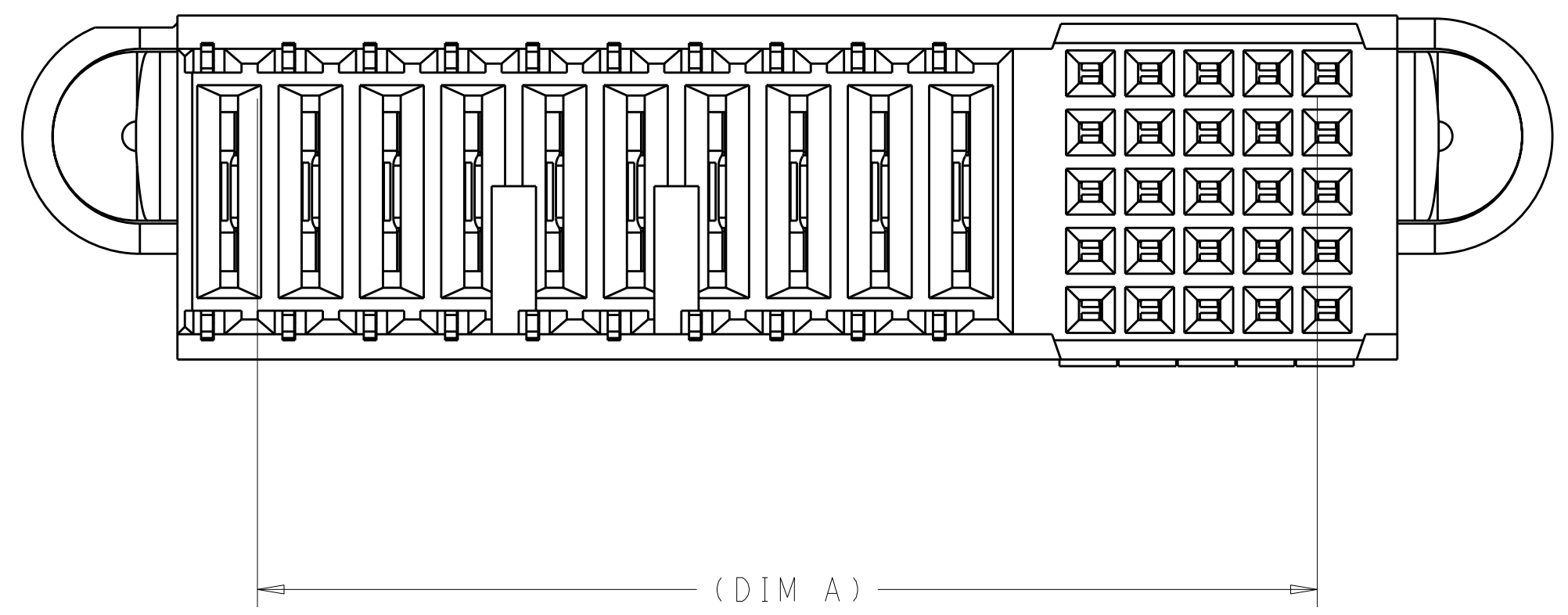
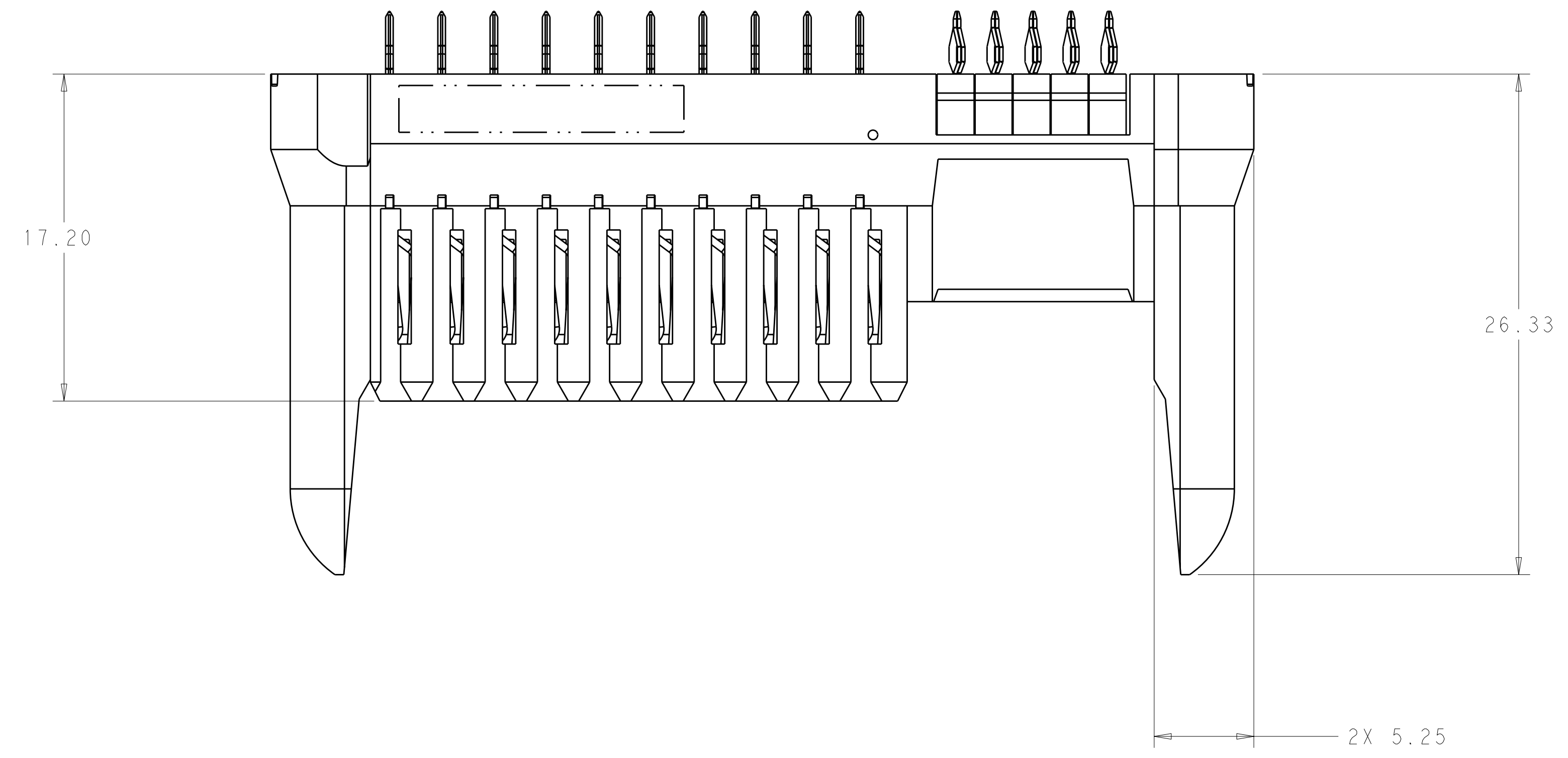
1926845-6 SHOWN

DESIGN APPROVED THIS PRINT IS
PRELIMINARY
 TO FIRST PIECE APPROVAL
 CONTACT PRODUCT ENGINEERING
 BEFORE USING THIS PRINT

48	25	7	4	41.45	46.24	25S X 8P	1926845-8
48	10	7	1	35.45	40.24	10S X 8P	1926845-7
60	25	9	4	46.95	51.74	25S X 10P	1926845-6
24	10	3	1	24.45	29.24	10S X 4P	1926845-2
60	20	9	3	44.95	49.74	20S X 10P	1926845-1
F PLC	E PLC	D SPACES	C SPACES	DIM B	DIM A	NO OF POSITIONS	PART NUMBER

THIS DRAWING IS A CONTROLLED DOCUMENT.		DWN J. ROSSMAN 28MAR2011	TE Connectivity RECEPTACLE ASSEMBLY, VERTICAL, PASSIVE GUIDE, SIGNAL/POWER, SCREW MOUNT OPTION, MINIPAK HDL
DIMENSIONS: mm		CHK E.C. WICKES 28MAR2011	
TOLERANCES UNLESS OTHERWISE SPECIFIED:		APVD	NAME
9 PLC ± 3 PLC ±0.13 5 PLC ± 4 PLC ± ANGLES ±		PRODUCT SPEC	SIZE
MATERIAL SEE NOTE 1		APPLICATION SPEC	CAGE CODE
FINISH SEE NOTE 2		WEIGHT	DRAWING NO
		CUSTOMER DRAWING	RESTRICTED TO
		SCALE 1:1	SHEET 1 OF 3
			REV 2

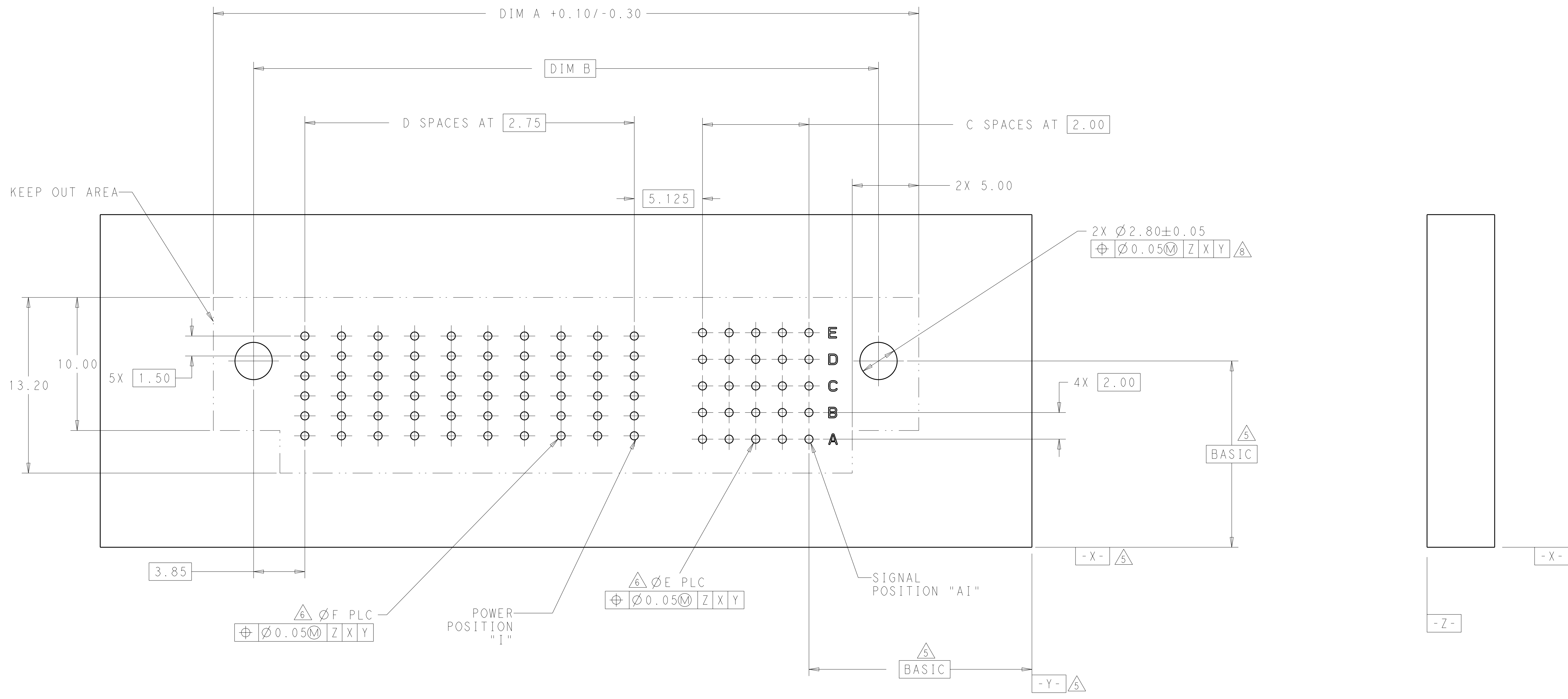
LOC	DIST	REVISIONS					
		P	LTB	DESCRIPTION	DATE	DWN	APVD
AA	00	-	-	SEE SHEET 1	-	-	-



DESIGN APPROVED THIS PRINT IS
PRELIMINARY
 TO FIRST PIECE APPROVAL
 CONTACT PRODUCT ENGINEERING
 BEFORE USING THIS PRINT

THIS DRAWING IS A CONTROLLED DOCUMENT.		DWN J. ROSSMAN 28MAR2011	TE Connectivity
DIMENSIONS: mm		CHK E.C. WICKES 28MAR2011	
		TOLERANCES UNLESS OTHERWISE SPECIFIED: 0 PLC ± 1 PLC ±0.13 2 PLC ± 3 PLC ± 4 PLC ± ANGLES ±	NAME RECEPTACLE ASSEMBLY, VERTICAL, PASSIVE GUIDE, SIGNAL/POWER, SCREW MOUNT OPTION, MINIPAK HDL
MATERIAL SEE NOTE 1	FINISH SEE NOTE 2	APVD -	PRODUCT SPEC -
		APPLICATION SPEC -	SIZE CAGE CODE DRAWING NO RESTRICTED TO A1100779 C=1926845 -
		WEIGHT -	CUSTOMER DRAWING
		SCALE 1:1	SHEET 2 OF 3 REV 2

LOC	DIST	REVISIONS			
AA	00	REV	DATE	BY	APPD
		1	SEE SHEET 1		



**1926845-6 SHOWN
 RECOMMENDED PRINTED CIRCUIT BOARD LAYOUT**
 (COMPONENT SIDE OF BOARD SHOWN)
 SCALE 6:1

DESIGN APPROVED THIS PRINT IS
PRELIMINARY
 TO FIRST PIECE APPROVAL
 CONTACT PRODUCT ENGINEERING
 BEFORE USING THIS PRINT

THIS DRAWING IS A CONTROLLED DOCUMENT.		DWN J. ROSSMAN 28MAR2011	TE Connectivity
DIMENSIONS: mm		CHK E.C. WICKES 28MAR2011	
TOLERANCES UNLESS OTHERWISE SPECIFIED: 9 PLC ± 2 PLC ±0.13 5 PLC ± 4 PLC ± ANGLES ±		APVD -	NAME RECEPTACLE ASSEMBLY, VERTICAL, PASSIVE GUIDE, SIGNAL/POWER, SCREW MOUNT OPTION, MINIPAK HDL
MATERIAL SEE NOTE 1	FINISH SEE NOTE 2	PRODUCT SPEC APPLICATION SPEC	RESTRICTED TO
CUSTOMER DRAWING		WEIGHT -	SIZE CAGE CODE DRAWING NO A1100779C=1926845
		SCALE 5:1	SHEET 3 OF 3 REV 2