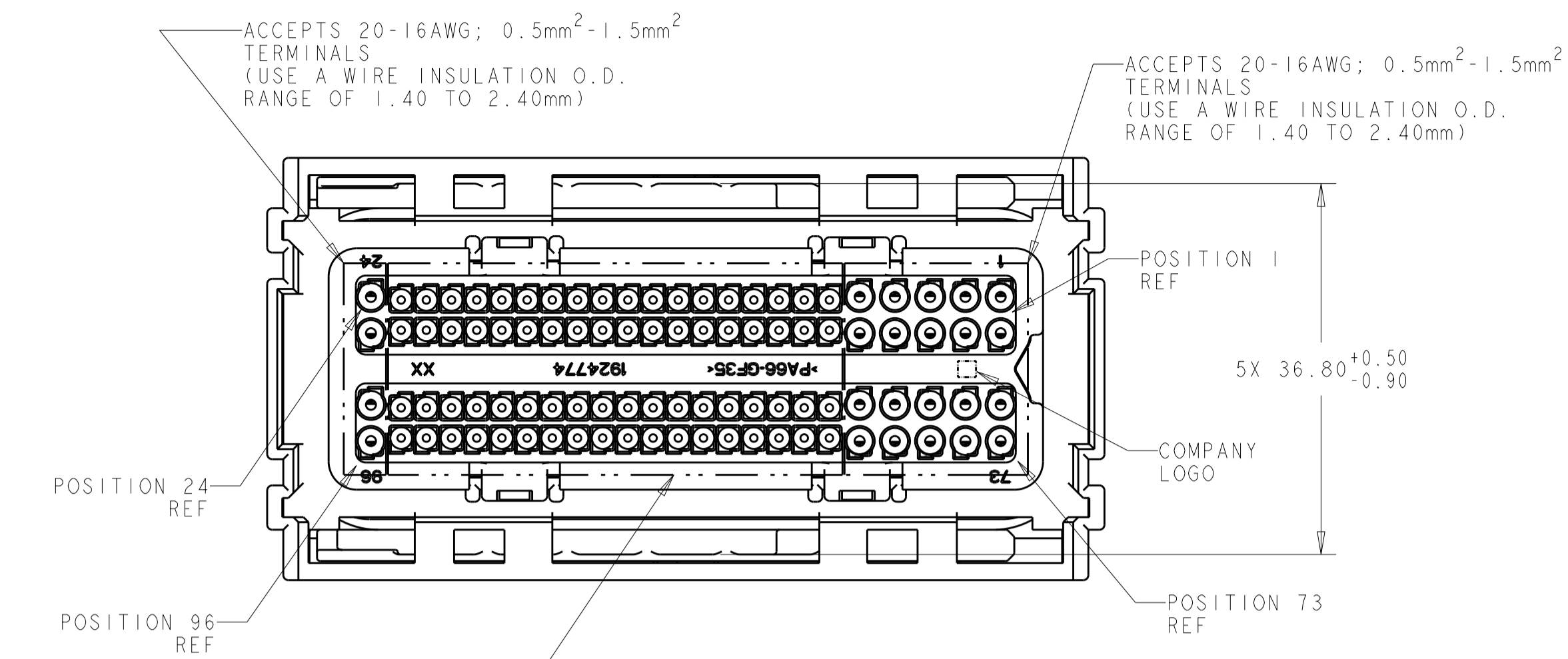
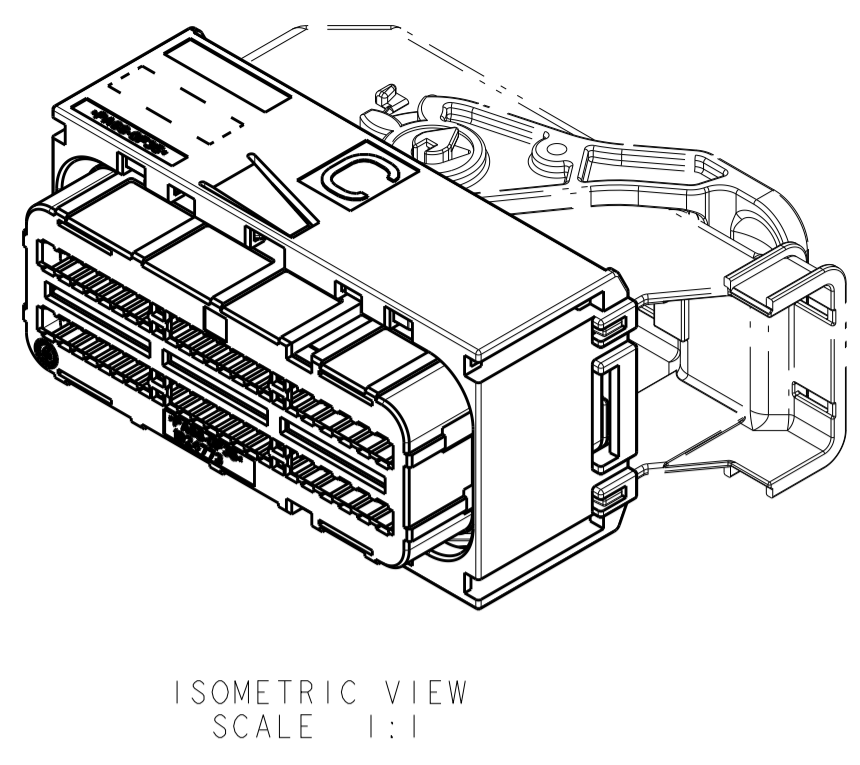
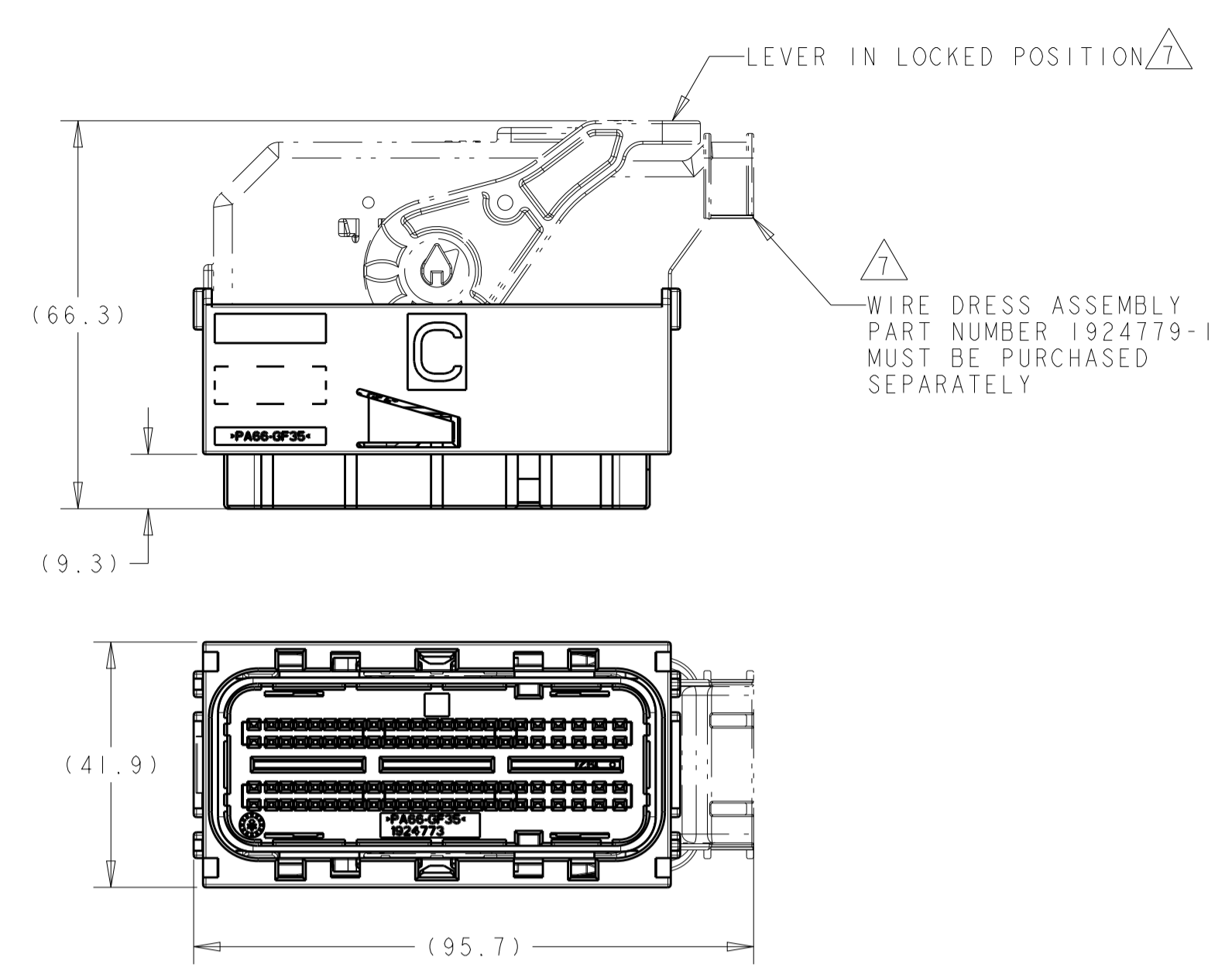
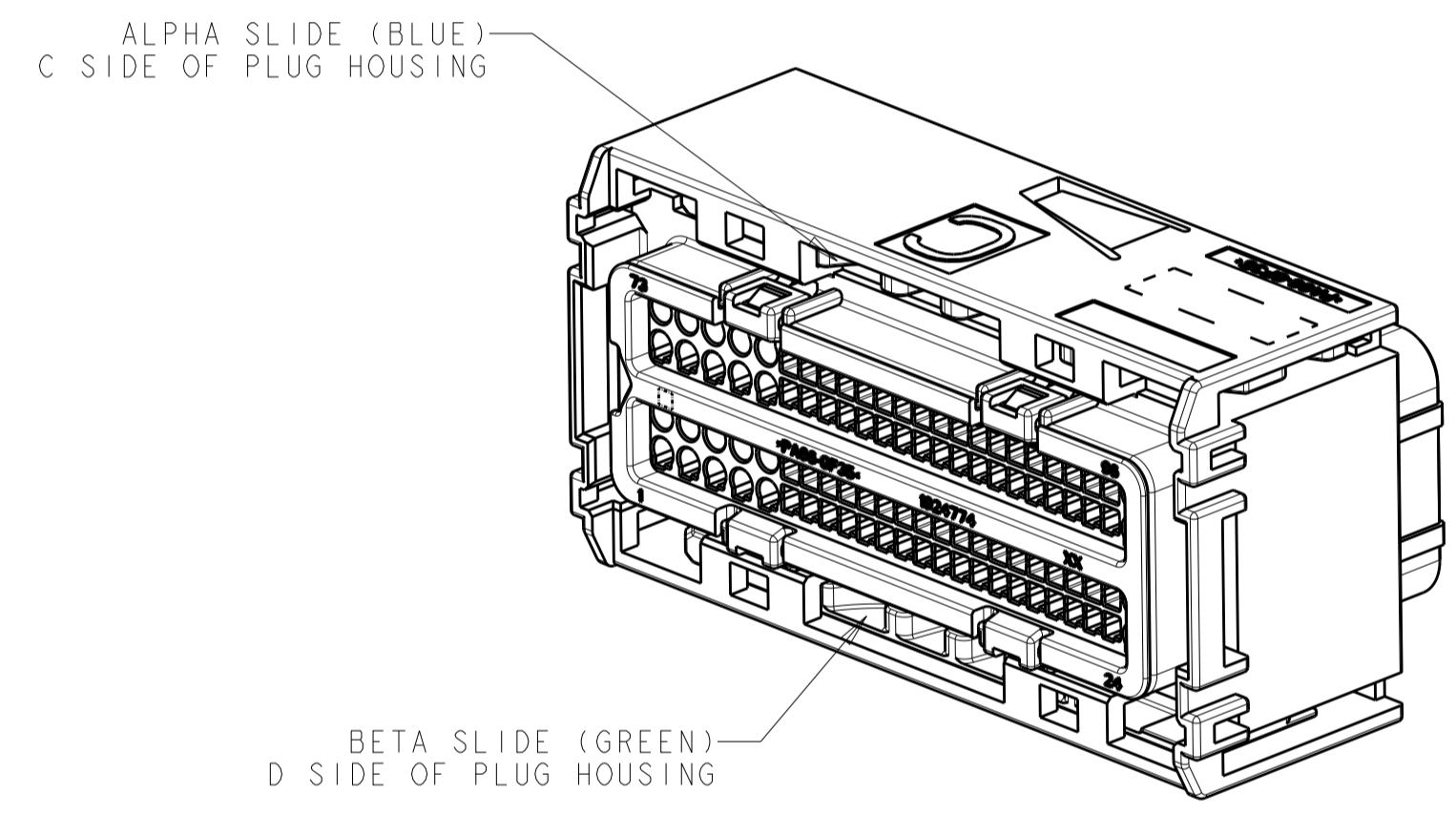
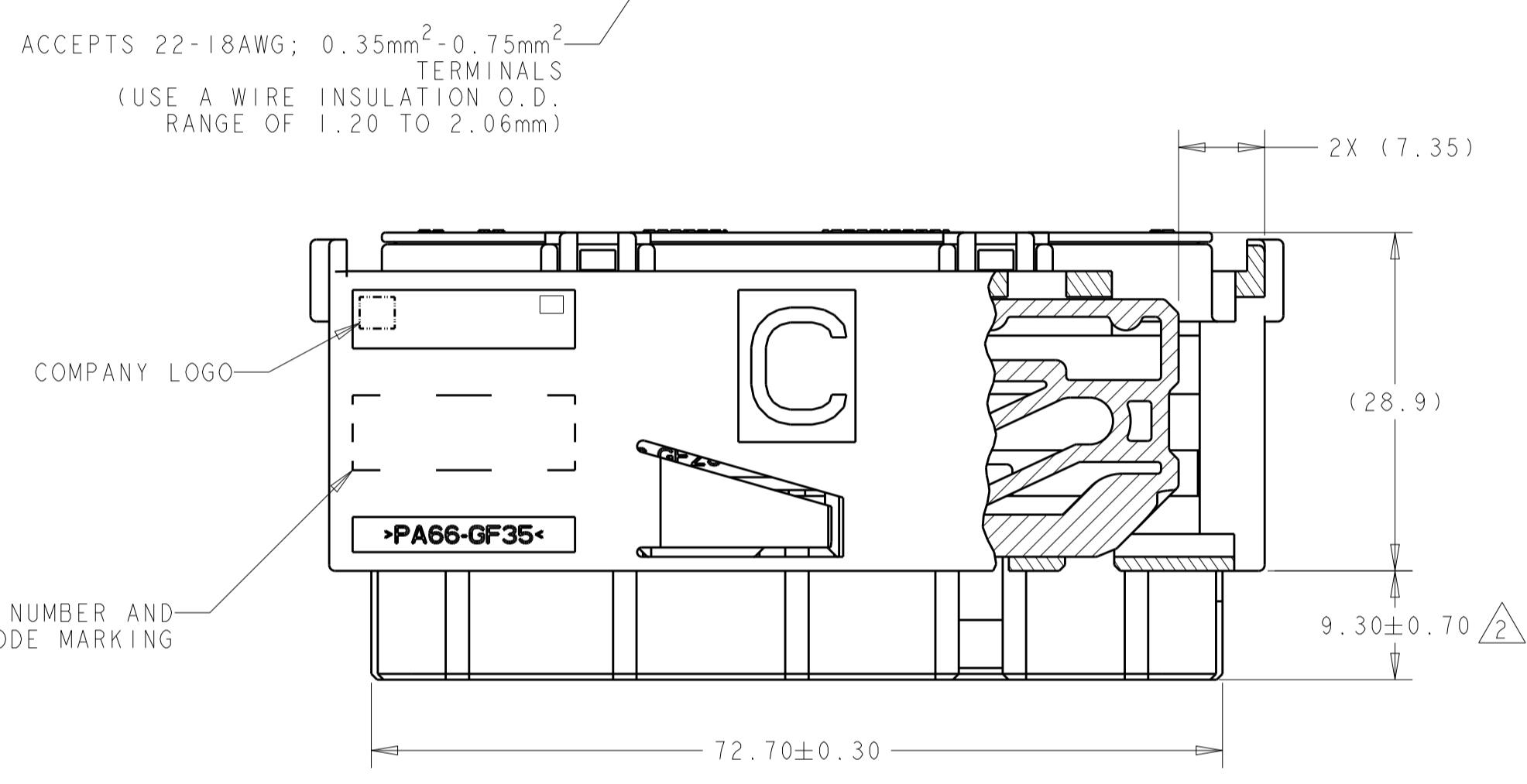


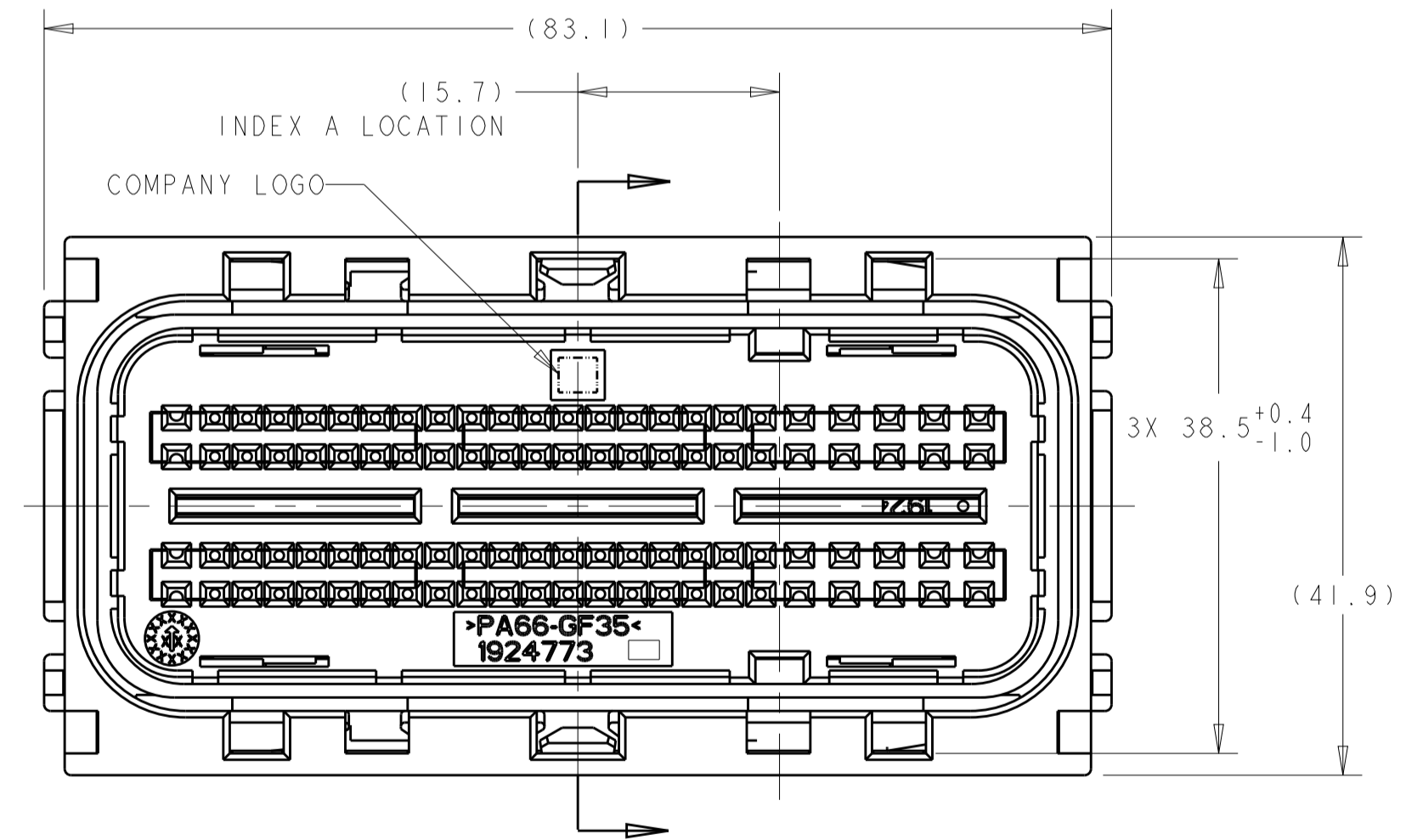
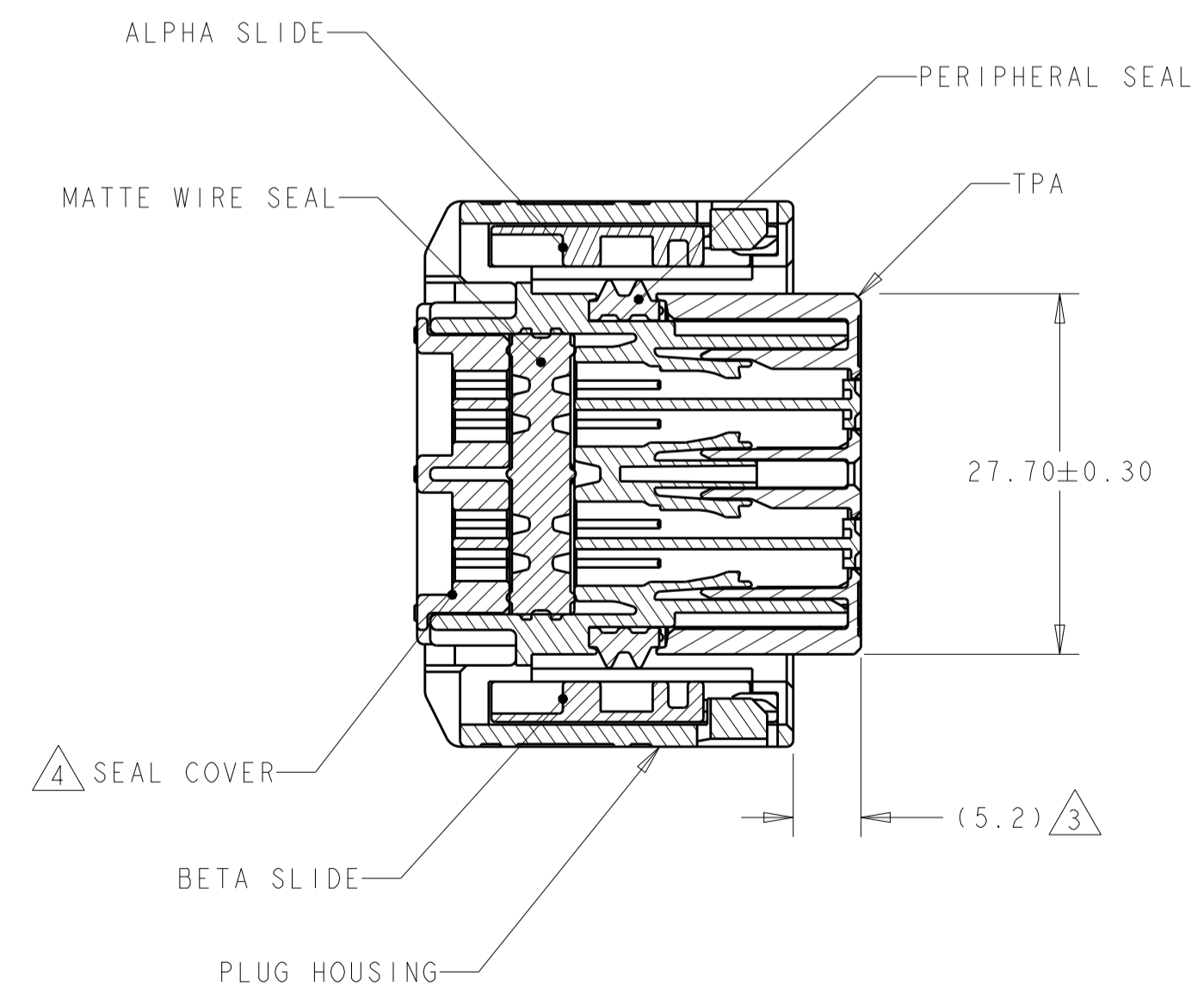
REVISIONS				
P.	LTN	DESCRIPTION	DATE	OWN APVD
C7	REV PER ECO-17-013192		07SEP2017	JMS GK
C8	ECO-17-017519		29NOV2017	KP GK
C9	REVISED PER ECO-18-006949		03MAY2018	JMS GK
C10	REVISED PER ECO-20-011499		14AUG2020	CN HC



RIGHT EXIT PLUG ASSEMBLY SHOWN WITH OPTIONAL WIRE DRESS ASSEMBLY (MUST BE PURCHASED SEPARATELY) SCALE 1:1



(METHOD FOR IDENTIFYING EXIT ORIENTATION)



- 1 PLUG HOUSING AND SEAL COVER: NYLON 6/6, BLACK. TPA: NYLON 6/6, COLOR - SEE TABLE. MATTE WIRE SEAL: SILICONE, LIGHT BLUE. PERIPHERAL SEAL: SILICONE, GREEN. ALPHA SLIDE: NYLON 6/6, BLUE. BETA SLIDE: NYLON 6/6, GREEN.
- 2 TPA SHOWN IN PRE-LATCHED, AS SHIPPED, POSITION.
- 3 TPA SHOWN IN CLOSED POSITION.
- 4 SEE TABLE ON SHEET 2 AND 3 FOR SEAL COVER PIN OUT CONFIGURATION.

- 5. PLUG ASSEMBLY MATES WITH TE CONNECTIVITY INTERFACE DRAWING 1924771\_INT, POLARIZATION A.
- 6. PLUG ASSEMBLY WILL ACCEPT THE FOLLOWING GET TERMINAL PART NUMBERS: 1393364-1 (GOLD 22AWG; 0.35mm<sup>2</sup>) 1393365-1 (GOLD 18-20AWG; 0.75mm<sup>2</sup>-0.5mm<sup>2</sup>) 1924878-1 (TIN/SILVER 22AWG; 0.35mm<sup>2</sup>) 1924879-1 (TIN/SILVER 18-20AWG; 0.75mm<sup>2</sup>-0.5mm<sup>2</sup>) 1924782-1 (TIN/SILVER 1.0mm<sup>2</sup>) 1924880-1 (TIN/SILVER 16AWG; 1.5mm<sup>2</sup>)

- 7 WIRE DRESS ASSEMBLY MUST BE INSTALLED ONTO PLUG ASSEMBLY WITH LEVER IN LOCKED POSITION.
- 8 APPLICATION SPEC'S: 408-10229, 408-10230
- 9. NOTE DELETED.
- 10. FORCE TO SEAT TPA COMPONENT FROM PRE-SET TO LOCKED (FULLY LOADED W/ TERMINALS) TO BE 83N MAX.
- 11. FORCE TO MOVE TPA FROM FULLY LOCKED TO PRE-SET TO BE 115N MAX. FLAT BLADE SCREWDRIVER SUGGESTED FOR REMOVAL OF TPA.

ALL CLOSED	GRAY	A	9-1924939-9
SEE TABLE, SH 3	GRAY	A	7-1924939-1
SEE TABLE, SH 3	GRAY	A	7-1924939-0
SEE TABLE, SH 3	GRAY	A	6-1924939-9
SEE TABLE, SH 3	GRAY	A	6-1924939-8
SEE TABLE, SH 3	GRAY	A	6-1924939-7
SEE TABLE, SH 2	GRAY	A	6-1924939-6
SEE TABLE, SH 2	GRAY	A	6-1924939-5
SEE TABLE, SH 2	GRAY	A	6-1924939-4
SEE TABLE, SH 2	GRAY	A	6-1924939-3
SEE TABLE, SH 2	GRAY	A	6-1924939-2
SEE TABLE, SH 2	GRAY	A	6-1924939-1
SEE TABLE, SH 2	GRAY	A	6-1924939-0
SEE TABLE, SH 2	GRAY	A	5-1924939-9
SEE TABLE, SH 2	GRAY	A	5-1924939-8
SEE TABLE, SH 2	GRAY	A	5-1924939-7
SEE TABLE, SH 2	GRAY	A	5-1924939-6
SEE TABLE, SH 2	GRAY	A	5-1924939-5
SEE TABLE, SH 2	GRAY	A	5-1924939-4
SEE TABLE, SH 2	GRAY	A	5-1924939-3
SEE TABLE, SH 2	GRAY	A	5-1924939-2
SEE TABLE, SH 2	GRAY	A	5-1924939-1
SEE TABLE, SH 2	GRAY	A	5-1924939-0
SEE TABLE, SH 2	GRAY	A	4-1924939-9
SEE TABLE, SH 2	GRAY	A	4-1924939-8
SEE TABLE, SH 2	GRAY	A	4-1924939-7
SEE TABLE, SH 2	GRAY	A	4-1924939-6
SEE TABLE, SH 2	GRAY	A	4-1924939-5
SEE TABLE, SH 2	GRAY	A	4-1924939-4
SEE TABLE, SH 2	GRAY	A	4-1924939-3
SEE TABLE, SH 2	GRAY	A	4-1924939-2
SEE TABLE, SH 2	GRAY	A	4-1924939-1
SEE TABLE, SH 2	GRAY	A	4-1924939-0
SEE TABLE, SH 2	GRAY	A	3-1924939-9
SEE TABLE, SH 2	GRAY	A	3-1924939-8
SEE TABLE, SH 2	GRAY	A	3-1924939-7
SEE TABLE, SH 2	GRAY	A	3-1924939-6
SEE TABLE, SH 2	GRAY	A	3-1924939-5
SEE TABLE, SH 2	GRAY	A	3-1924939-4
SEE TABLE, SH 2	GRAY	A	3-1924939-3
SEE TABLE, SH 2	GRAY	A	3-1924939-2
SEE TABLE, SH 2	GRAY	A	3-1924939-1
SEE TABLE, SH 2	GRAY	A	3-1924939-0
SEE TABLE, SH 2	GRAY	A	2-1924939-9
SEE TABLE, SH 2	GRAY	A	2-1924939-8
SEE TABLE, SH 2	GRAY	A	2-1924939-7
SEE TABLE, SH 2	GRAY	A	2-1924939-6
SEE TABLE, SH 2	GRAY	A	2-1924939-5
SEE TABLE, SH 2	GRAY	A	2-1924939-4
SEE TABLE, SH 2	GRAY	A	2-1924939-3
SEE TABLE, SH 2	GRAY	A	2-1924939-2
SEE TABLE, SH 2	GRAY	A	2-1924939-1
SEE TABLE, SH 2	GRAY	A	2-1924939-0
SEE TABLE, SH 2	GRAY	A	1-1924939-9
SEE TABLE, SH 2	GRAY	A	1-1924939-8
SEE TABLE, SH 2	GRAY	A	1-1924939-7
SEE TABLE, SH 2	GRAY	A	1-1924939-6
SEE TABLE, SH 2	GRAY	A	1-1924939-5
SEE TABLE, SH 2	GRAY	A	1-1924939-4
SEE TABLE, SH 2	GRAY	A	1-1924939-3
SEE TABLE, SH 2	GRAY	A	1-1924939-2
SEE TABLE, SH 2	GRAY	A	1-1924939-1
SEE TABLE, SH 2	GRAY	A	1-1924939-0
SEE TABLE, SH 2	GRAY	A	1924939-9
SEE TABLE, SH 2	GRAY	A	1924939-8
SEE TABLE, SH 2	GRAY	A	1924939-7
SEE TABLE, SH 2	GRAY	A	1924939-6
SEE TABLE, SH 2	GRAY	A	1924939-5
SEE TABLE, SH 2	GRAY	A	1924939-4
SEE TABLE, SH 2	GRAY	A	1924939-3
SEE TABLE, SH 2	GRAY	A	1924939-2
SEE TABLE, SH 2	GRAY	A	1924939-1
ALL OPEN	GRAY	A	1924939-0
BLOCKED CIRCUITS	TPA COLOR	INDEX REF	PART NUMBER

THIS DRAWING IS A CONTROLLED DOCUMENT.

APVD: DJ HARDY, AJ VASBINDER

DATE: 29NOV2007, 03DEC2007

NAME: PLUG ASSEMBLY, 96 POSITION, INDEX A - RIGHT EXIT, SEALED, GPEC II

SIZE: A100779

SCALE: 2:1

SHEET 1 OF 3

CUSTOMER DRAWING

REVISIONS				
P.	LTN	DESCRIPTION	DATE	OWN APVD
-	-	SEE SHEET 1	-	-

DESCRIPTION	1	2	3	4	5	6	7	8	9	10	11	12	13	14	15	16	17	18	19	20	21	22	23	24	25	26	27	28	29	30	31	32	33	34	35	36	37	38	39	40	41	42	43	44	45	46	47	48	49	50	51	52	53	54	55	56	57	58	59	60	61	62	63	64	65	66	67	68	69	70	71	72	73	74	75	76	77	78	79	80	81	82	83	84	85	86	87	88	89	90	91	92	93	94	95	96
DASH HARNESS WK-WD	1	2	3	4	5	6	7	8	9	10	11	12	13	14	15	16	17	18	19	20	21	22	24	25	26	27	28	29	30	31	32	34	35	36	37	38	39	40	41	43	45	47	49	50	51	55	56	58	59	60	61	62	63	64	65	66	71	83	84	85	86	87	89	90	95	5-1924939-4																														
DASH HARNESS WK-WD	1	2	3	4	5	6	7	8	9	10	11	12	13	14	15	16	17	18	19	20	21	22	24	25	26	27	28	29	30	31	32	34	35	36	37	38	39	40	41	43	45	47	49	50	51	55	56	58	59	60	61	62	63	64	65	66	71	83	84	85	86	87	89	90	95	5-1924939-3																														
DASH HARNESS WK-WD	1	2	3	4	5	6	7	8	9	10	11	12	13	14	15	16	17	18	19	20	21	22	24	25	26	27	28	29	30	31	32	34	35	36	37	38	39	40	41	43	45	46	47	49	50	51	55	56	58	59	60	61	62	63	64	65	66	71	77	78	83	84	85	86	87	89	90	95	5-1924939-2																											
RU - DASH HARNESS ECM CONNECTOR FOR BASE/PHEV CHRYSLER JEEP 523 ECU	1	2	3	4	5	6	7	8	9	10	11	12	13	14	15	16	17	18	19	20	21	22	24	25	26	27	28	29	30	31	32	34	35	36	37	38	39	40	41	42	44	45	46	47	48	49	50	51	54	55	56	58	59	60	61	62	63	64	65	66	70	71	73	77	78	81	82	83	85	86	87	88	89	90	95	5-1924939-0																				
LA CHASSIS-3.6L	1	2	3	4	5	6	7	8	9	10	11	12	13	14	15	16	17	18	19	20	21	22	24	25	26	27	28	29	30	31	32	34	35	36	37	38	39	40	41	43	45	46	47	49	50	51	55	56	58	59	60	61	62	63	64	65	66	71	83	84	85	86	87	89	90	95	4-1924939-9																													
LA CHASSIS-5.7L/6.4L MAN TRANS	1	2	3	4	5	6	7	8	9	10	11	12	13	14	15	16	17	18	19	20	21	22	24	25	26	27	28	29	30	31	32	34	35	36	37	38	39	40	41	43	45	46	47	49	50	51	56	58	59	60	61	62	63	64	65	66	71	77	83	84	85	86	87	89	90	95	4-1924939-8																													
LA CHASSIS-5.7L/6.4L AUTO TRANS	1	2	3	4	5	6	7	8	9	10	11	12	13	14	15	16	17	18	19	20	21	22	24	25	26	27	28	29	30	31	32	34	35	36	37	38	39	40	41	43	45	46	47	49	50	51	56	58	59	60	61	62	63	64	65	66	71	77	83	84	85	86	87	89	90	95	4-1924939-7																													
LA CHASSIS-6.2L MAN TRANS	1	2	3	4	5	6	7	8	9	10	11	12	13	14	15	16	17	18	19	20	21	22	24	25	26	27	28	29	30	31	32	34	35	36	37	38	39	40	41	45	46	47	49	50	51	56	58	59	60	61	62	63	64	65	66	71	77	78	84	85	86	87	89	90	95	4-1924939-6																														
LA CHASSIS-6.2L AUTO TRANS	1	2	3	4	5	6	7	8	9	10	11	12	13	14	15	16	17	18	19	20	21	22	24	25	26	27	28	29	30	31	32	34	35	36	37	38	39	40	41	45	46	47	49	50	51	56	58	59	60	61	62	63	64	65	66	71	77	78	84	85	86	87	89	90	95	4-1924939-5																														
WK-WD 2015	1	2	3	4	5	6	7	8	9	10	11	12	13	14	15	16	17	18	19	20	21	22	24	25	26	27	28	29	30	31	32	34	35	36	37	38	39	40	41	42	43	44	45	46	47	49	50	51	55	56	58	59	60	61	62	63	64	65	66	71	73	77	78	82	83	85	86	87	88	89	90	95	4-1924939-4																							
2015 KL	1	2	3	4	5	6	7	8	9	10	11	12	13	14	15	16	17	18	19	20	21	22	24	25	26	27	28	29	30	31	32	34	35	36	37	38	39	40	41	42	43	44	45	46	47	48	49	50	54	55	56	58	59	60	61	62	63	64	65	66	70	71	73	77	78	81	82	83	85	86	87	88	89	90	95	4-1924939-3																				
2015 KL	1	2	3	4	5	6	7	8	9	10	11	12	13	14	15	16	17	18	19	20	21	22	24	25	26	27	28	29	30	31	32	34	35	36	37	38	39	40	41	42	43	44	45	46	47	49	50	55	56	58	59	60	61	62	63	64	65	66	71	73	77	78	81	82	83	85	86	87	88	89	90	95	4-1924939-2																							
WK-WD 2015	1	2	3	4	5	6	7	8	9	10	11	12	13	14	15	16	17	18	19	20	21	22	24	25	26	27	28	29	30	31	32	34	35	36	37	38	39	40	41	42	43	44	45	46	47	49	50	51	55	56	58	59	60	61	62	63	64	65	66	71	73	77	78	82	83	85	86	87	88	89	90	95	4-1924939-1																							
WK-WD 2015	1	2	3	4	5	6	7	8	9	10	11	12	13	14	15	16	17	18	19	20	21	22	24	25	26	27	28	29	30	31	32	34	35	36	37	38	39	40	41	42	43	44	45	46	47	49	50	51	55	56	58	59	60	61	62	63	64	65	66	71	73	77	78	82	83	85	86	87	88	89	90	95	4-1924939-0																							
WK-WD 2015	1	2	3	4	5	6	7	8	9	10	11	12	13	14	15	16	17	18	19	20	21	22	24	25	26	27	28	29	30	31	32	34	35	36	37	38	39	40	41	42	44	45	46	47	49	50	51	55	56	58	59	60	61	62	63	64	65	66	71	73	77	78	82	83	85	86	87	88	89	90	95	3-1924939-9																								
WK-WD 2015	1	2	3	4	5	6	7	8	9	10	11	12	13	14	15	16	17	18	19	20	21	22	24	25	26	27	28	29	30	31	32	34	35	36	37	38	39	40	41	42	44	45	46	47	49	50	51	55	56	58	59	60	61	62	63	64	65	66	71	73	77	78	82	83	85	86	87	88	89	90	95	3-1924939-8																								
WK-WD 2015	1	2	3	4	5	6	7	8	9	10	11	12	13	14	15	16	17	18	19	20	21	22	24	25	26	27	28	29	30	31	32	34	35	36	37	38	39	40	41	42	44	45	46	47	49	50	51	55	56	58	59	60	61	62	63	64	65	66	71	73	77	78	82	83	85	86	87	88	89	90	95	3-1924939-7																								
WK-WD 2015	1	2	3	4	5	6	7	8	9	10	11	12	13	14	15	16	17	18	19	20	21	22	24	25	26	27	28	29	30	31	32	34	35	36	37	38	39	40	41	42	44	45	46	47	49	50	51	55	56	58	59	60	61	62	63	64	65	66	71	73	77	78	82	83	85	86	87	88	89	90	95	3-1924939-6																								
2015 RT ENGINE HARNESS	1	2	3	4	5	6	7	8	9	10	11	12	13	14	15	16	17	18	19	20	21	22	24	25	26	27	28	29	30	31	32	34	35	36	37	38	39	40	41	42	43	44	45	46	47	49	50	55	56	58	59	60	61	62	63	64	65	66	71	73	77	78	82	83	85	86	87	88	89	90	95	3-1924939-5																								
2015 UF	1	2	3	4	5	6	7	8	9	10	11	12	13	14	15	16	17	18	19	20	21	22	24	25	26	27	28	29	30	31	32	34	35	36	37	38	39	40	41	42	43	44	45	46	47	49	50	55	56	58	59	60	61	62	63	64	65	66	71	73	77	78	81	82	83	85	86	87	88	89	90	95	3-1924939-4																							
2014 KL	1	2	3	4	5	6	7	8	9	10	11	12	13	14	15	16	17	18	19	20	21	22	24	25	26	27	28	29	30	31	32	34	35	36	37	38	39	40	41	42	43	44	45	46	47	49	50	55	56	58	59	60	61	62	63	64	65	66	71	73	77	78	81	82	83	85	86	87	88	89	90	95	3-1924939-3																							
2013 KL	1	2	3	4	5	6	7	8	9	10	11	12	13	14	15	16	17	18	19	20	21	22	24	25	26	27	28	29	30	31	32	34	35	36	37	38	39	40	41	42	43	44	45	46	47	49	50	55	56	58	59	60	61	62	63	64	65	66	71	73	77	78	81	82	83	85	86	87	88	89	90																									

