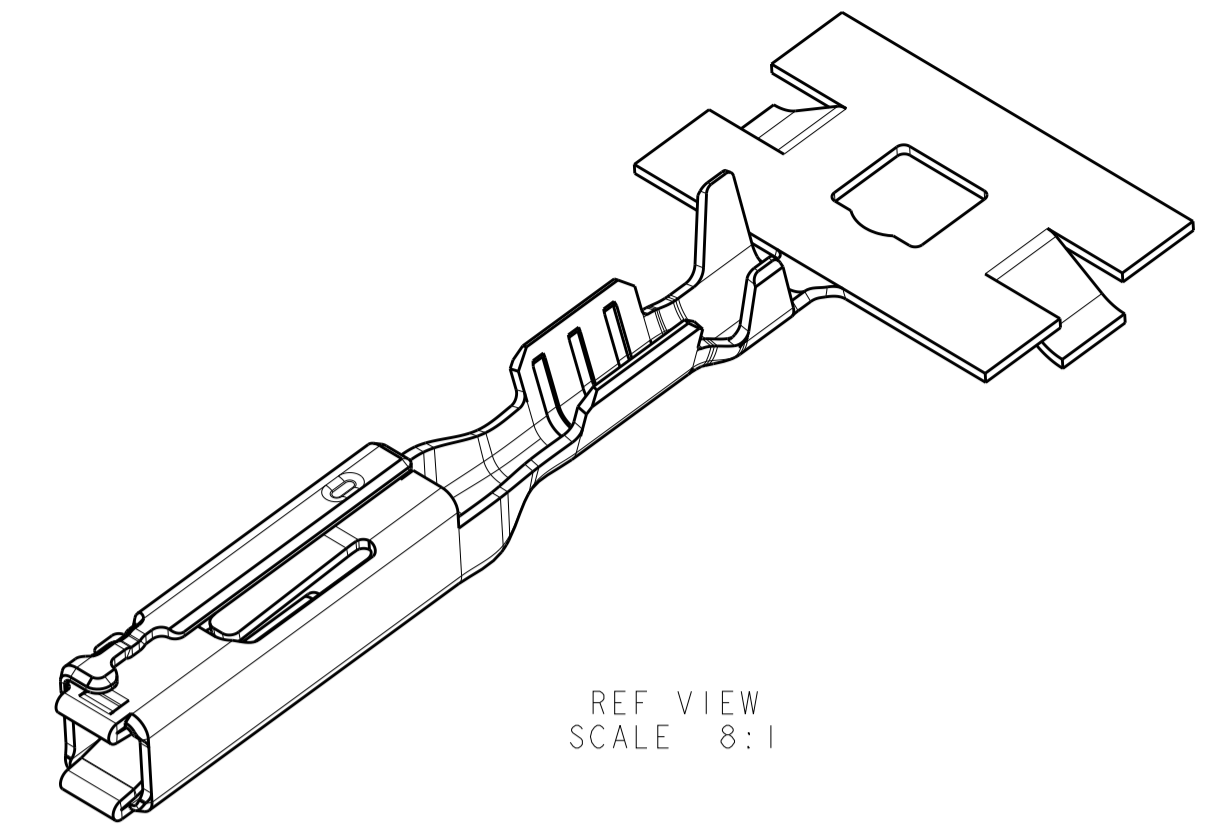
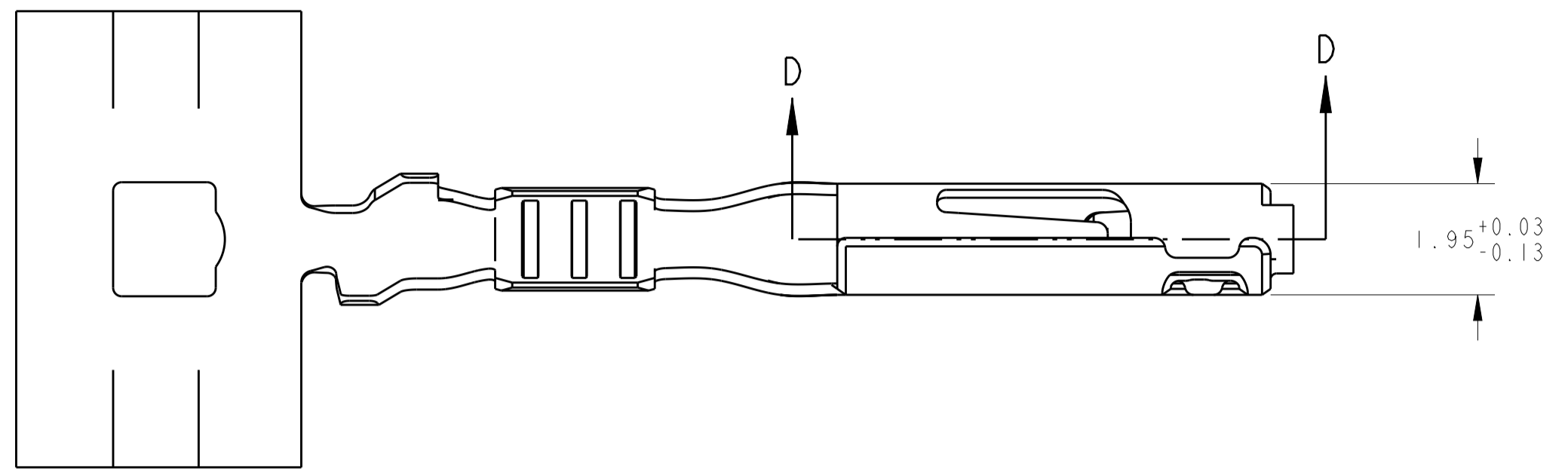
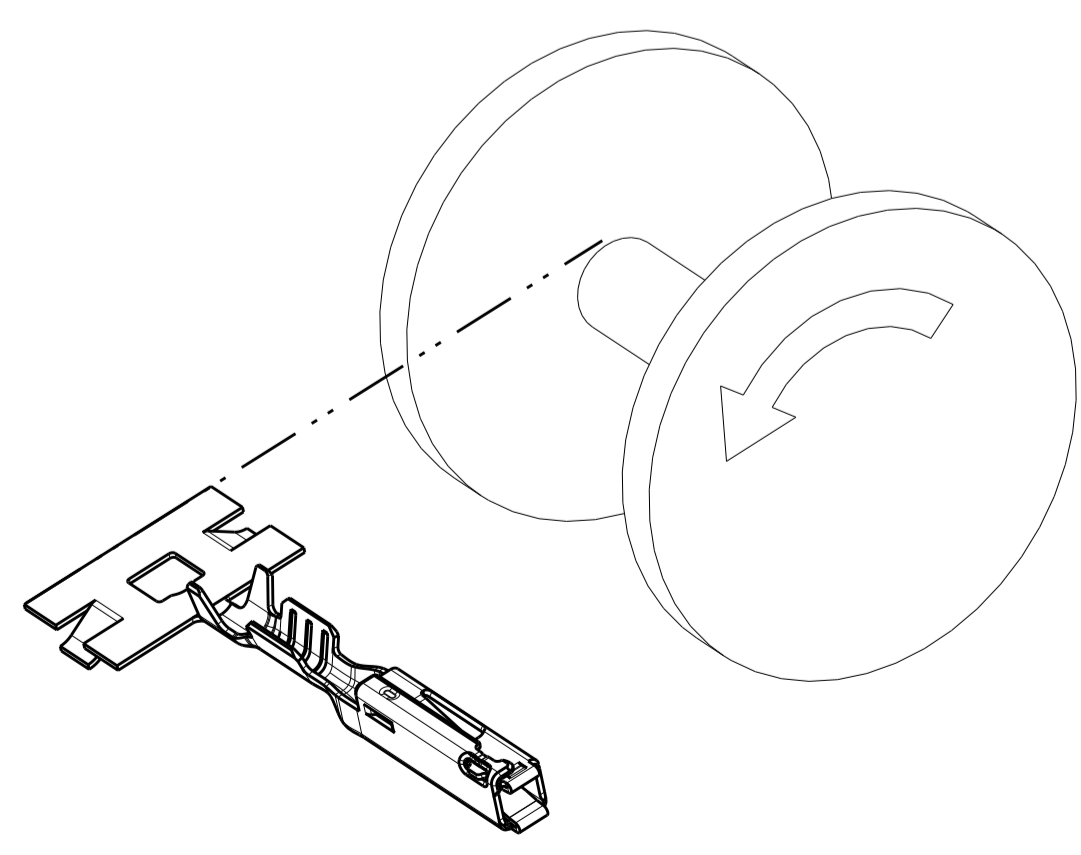
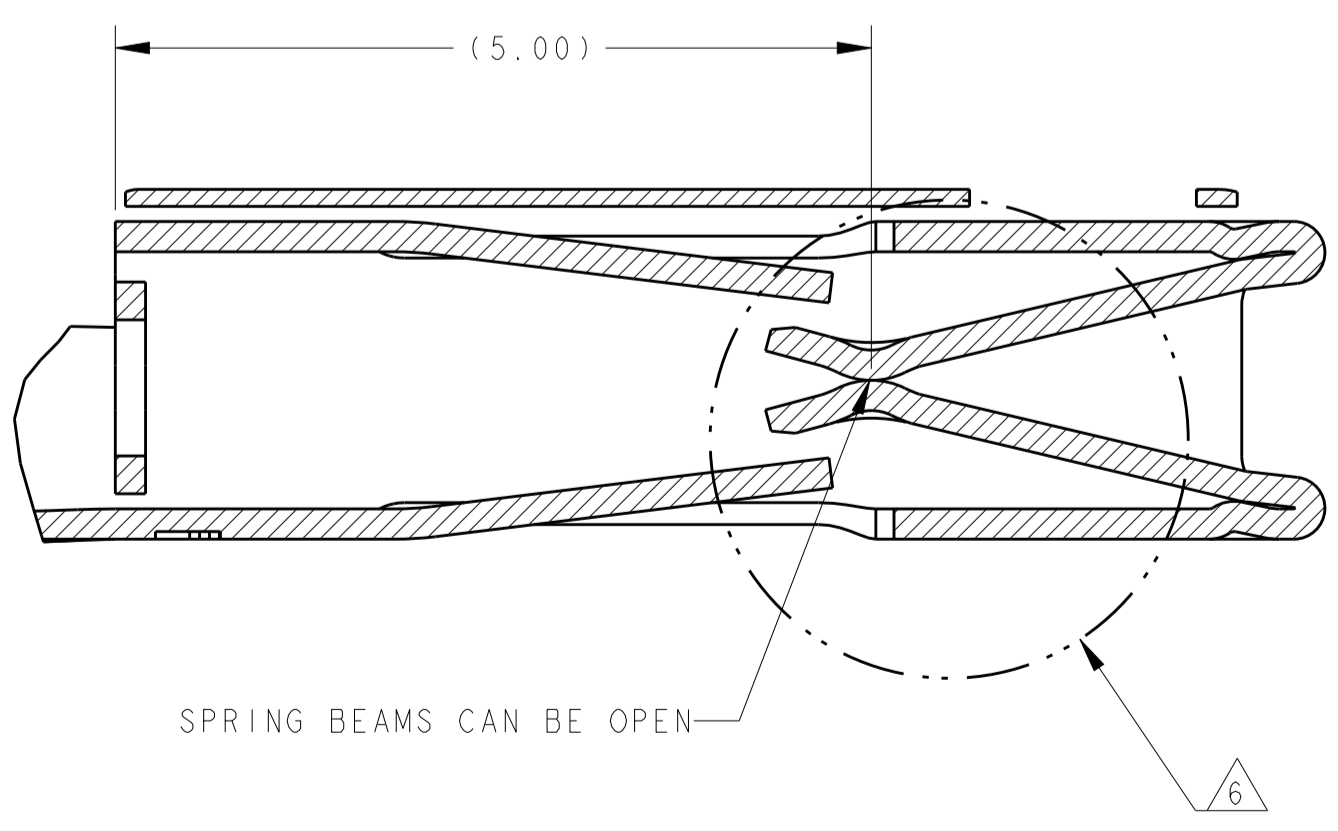
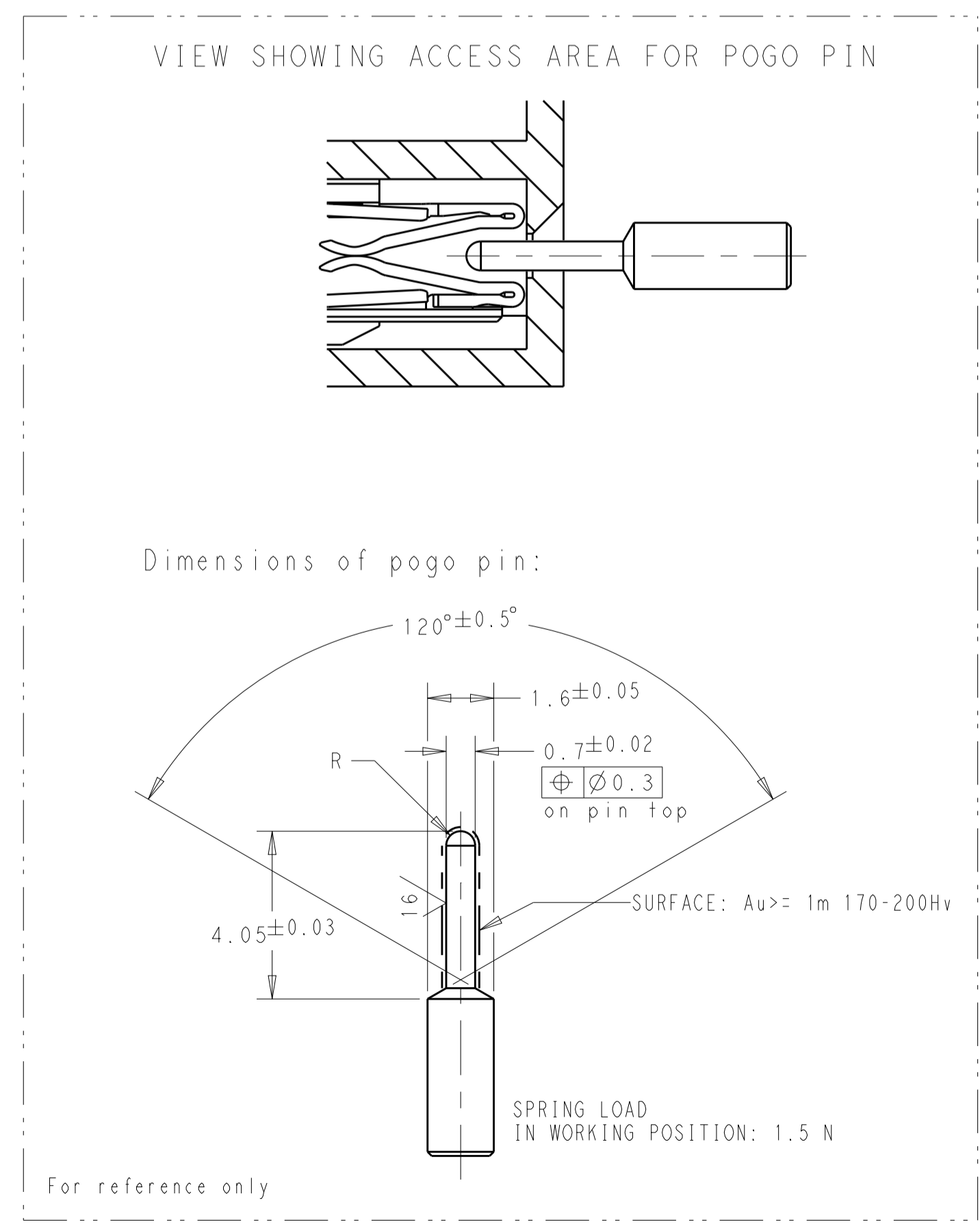
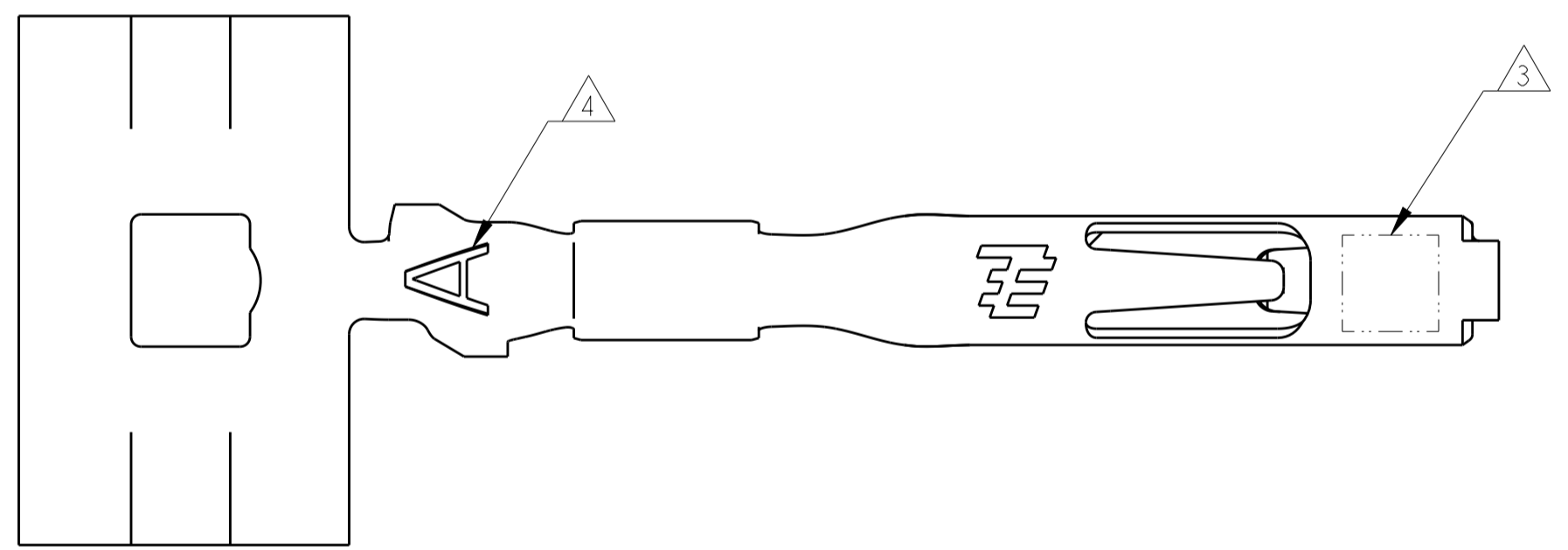
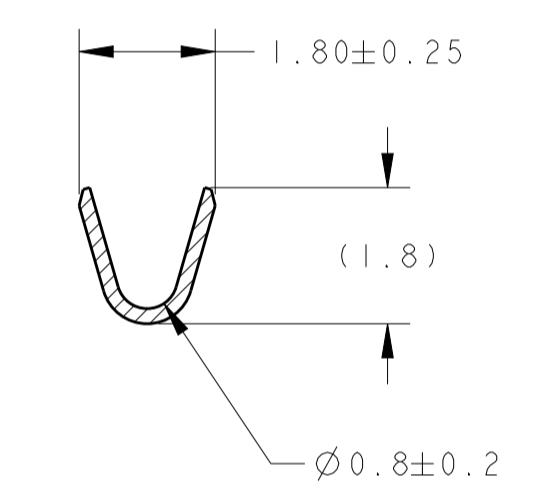
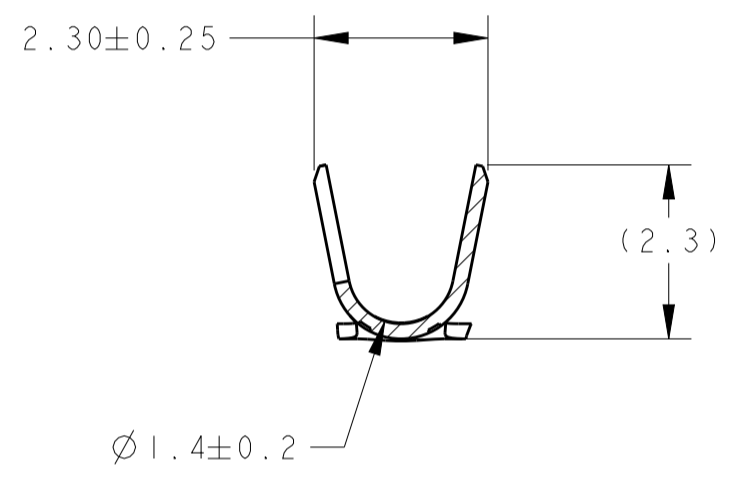
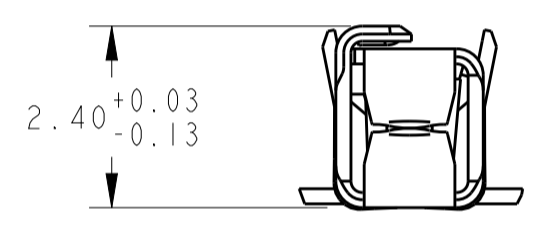
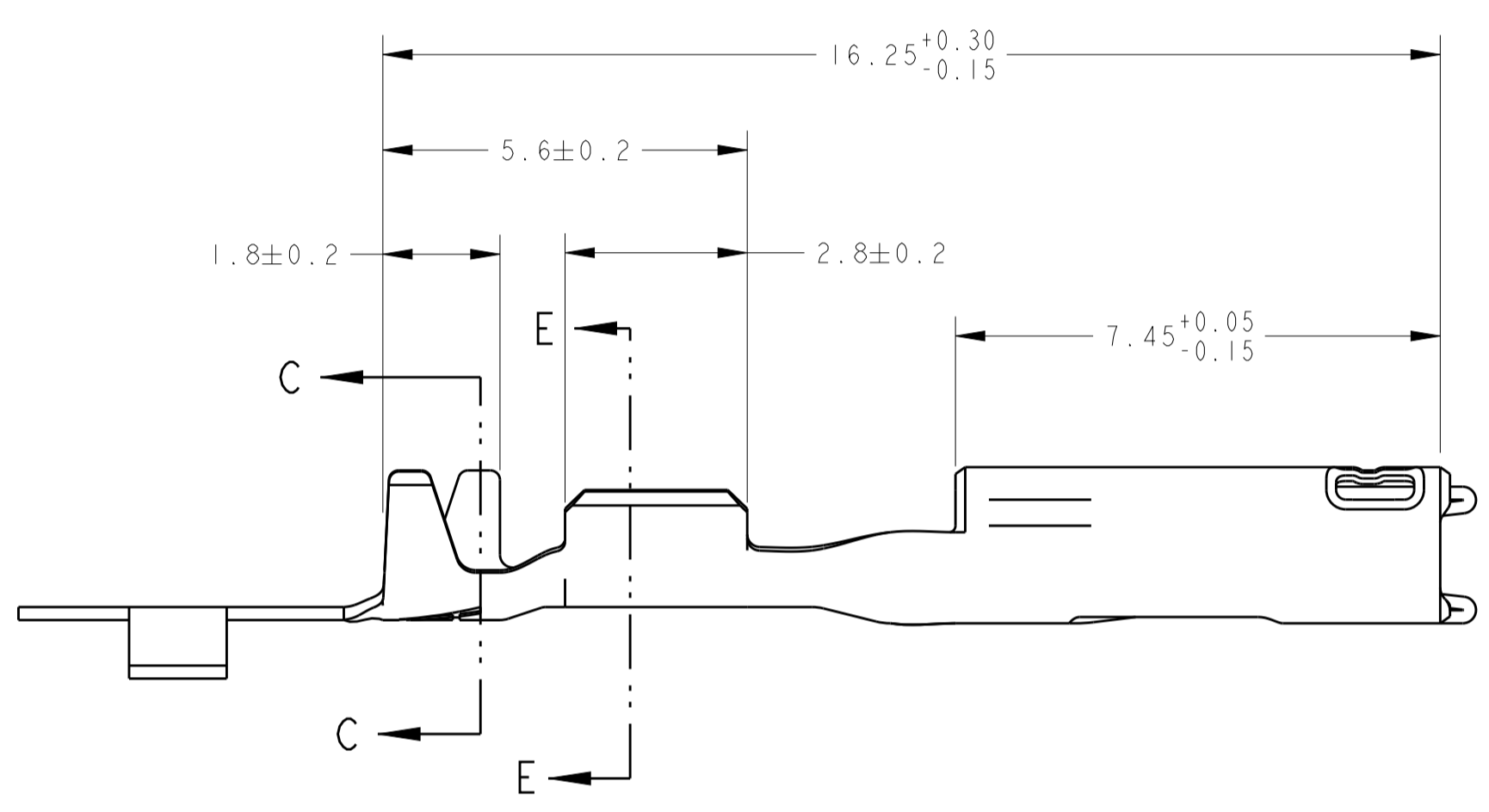


REVISIONS				
P.	LTN	DESCRIPTION	DATE	APVD
B		REVISED PER ECO-15-007763	24AUG2015	DLD WTW
C		REVISED PER ECO-16-007495	17MAY2016	DLD WTW



- △ MATERIAL: COPPER ALLOY
- △ FINISH: PRE-PLATED WITH 1.00µm MIN SPECIAL TIN-SILVER PLATE (APPLIES TO CONTACT ALL OVER)
- △ SYMBOL "T" INDICATES SPECIAL TIN-SILVER PLATE. SYMBOL "S" INDICATES SILVER PLATE
- △ MARK CRIMP CODE "A"
- 5. DIE FEED IS 8.00mm
- △ OPTIMOL (UNDILUTED) LUBRICATION IN THIS AREA.
- △ FINISH: PRE-PLATED SILVER, 3 - 5µm SILVER PLATE (CONTACT AREA ONLY), SILVER FLASH REMAINDER OF PART.
- 8. FOR SILVER PLATING ON P/N 1924878-2, TARNISH IS ACCEPTABLE. ELECTRICAL PERFORMANCE IS NOT AFFECTED BY TARNISH ON ANY OF THE SILVER PLATED SURFACES OF THE TERMINAL.



△	1924878-2
△	1924878-1
FINISH	PART NUMBER

THIS DRAWING IS A CONTROLLED DOCUMENT.		OWN: F. KINSEY 27APR2009	TE Connectivity	
DIMENSIONS: mm		CHK: F. KINSEY 27APR2009	GET FEMALE TERMINAL, 1.20mm, THIN 22 AWG	
TOLERANCES UNLESS OTHERWISE SPECIFIED:		APVD: W. WELLSKY 27APR2009	RESTRICTED TO	
0 PLC	±	PRODUCT SPEC	SIZE	CAGE CODE
2 PLC	±0.15	APPLICATION SPEC	114-13236	DRAWING NO
3 PLC	±	WEIGHT	0.17g	SCALE
4 PLC	±	CUSTOMER DRAWING	SCALE 10:1	SHEET 1 OF 1
ANGLES	±			REV C