

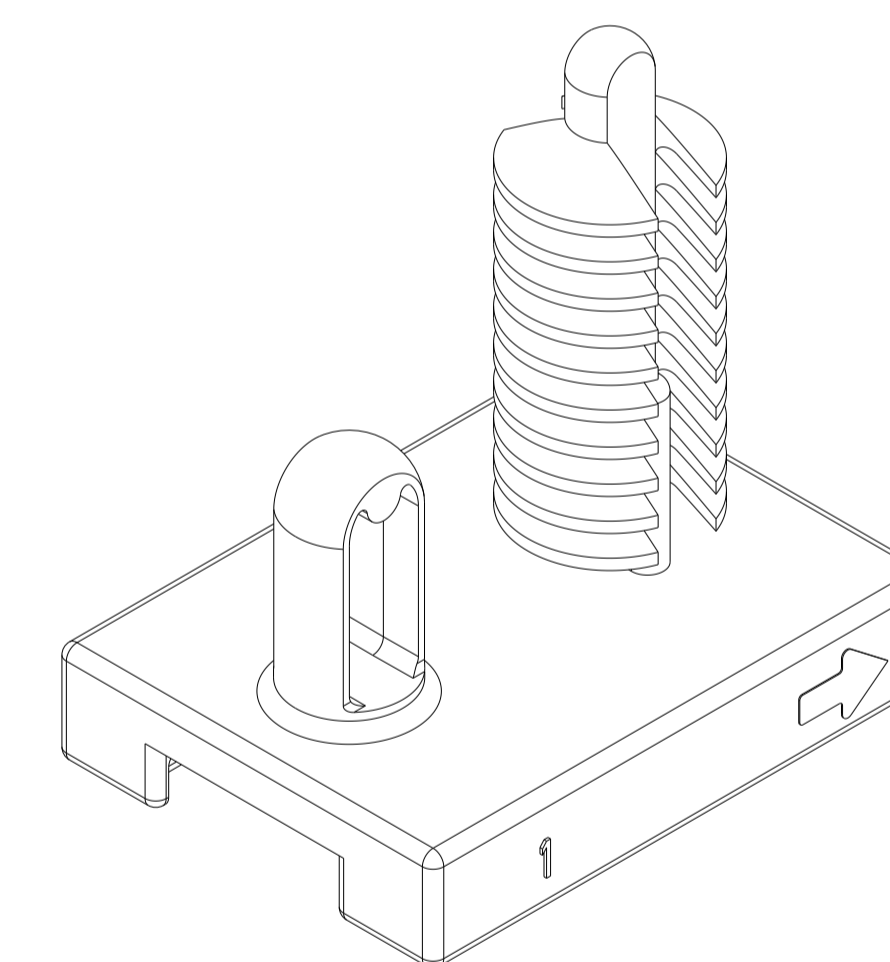
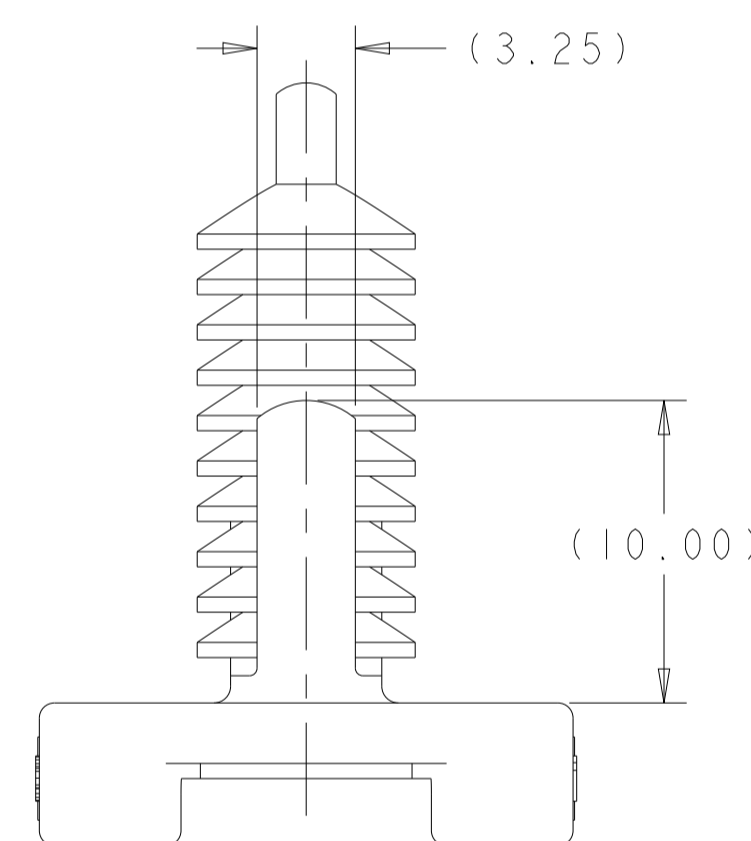
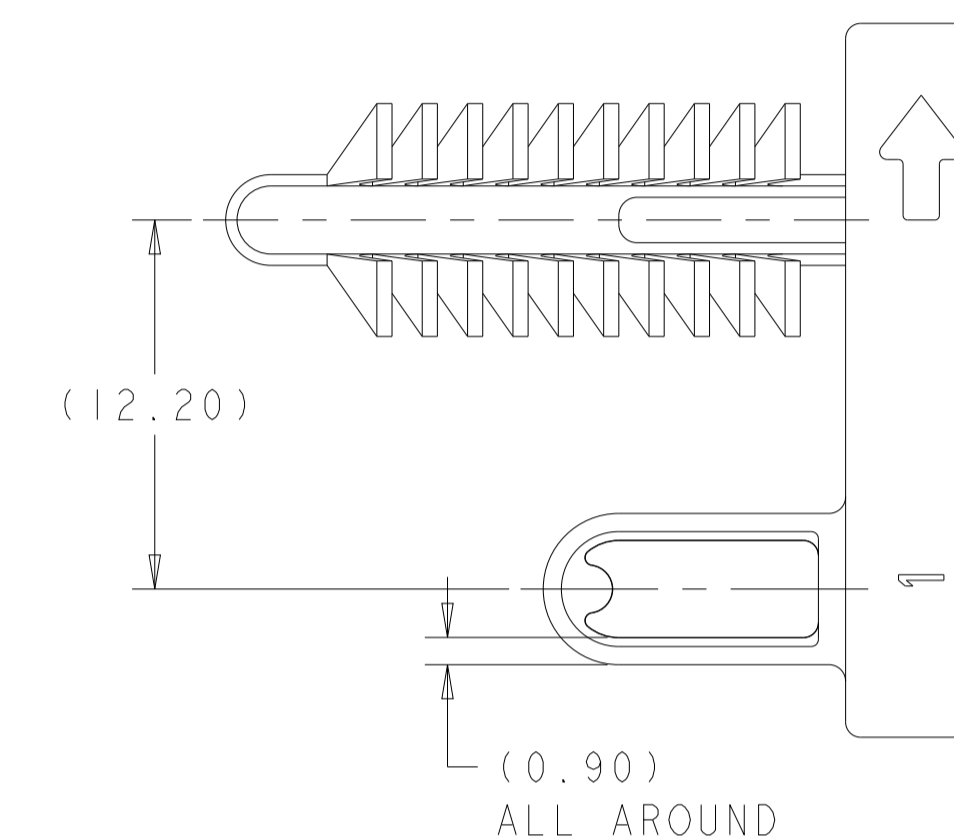
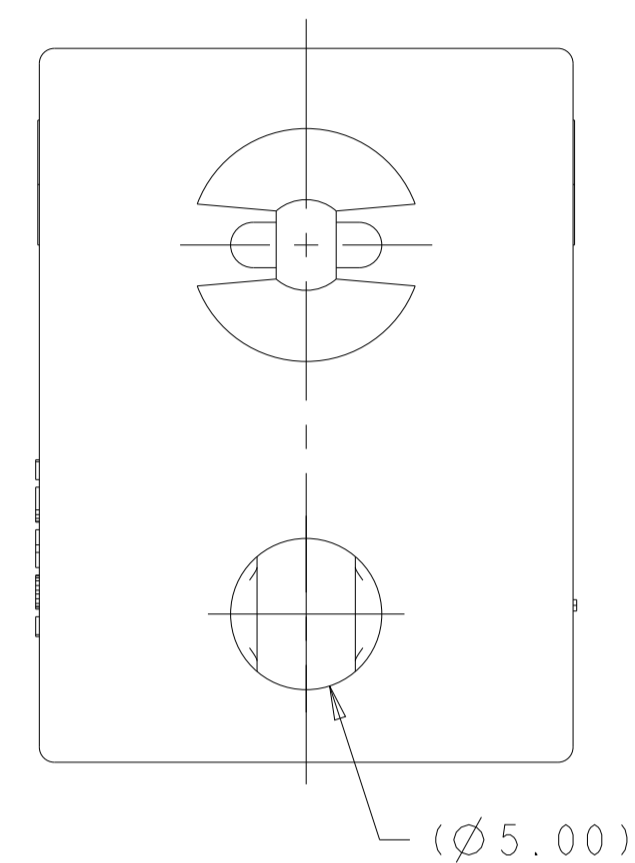
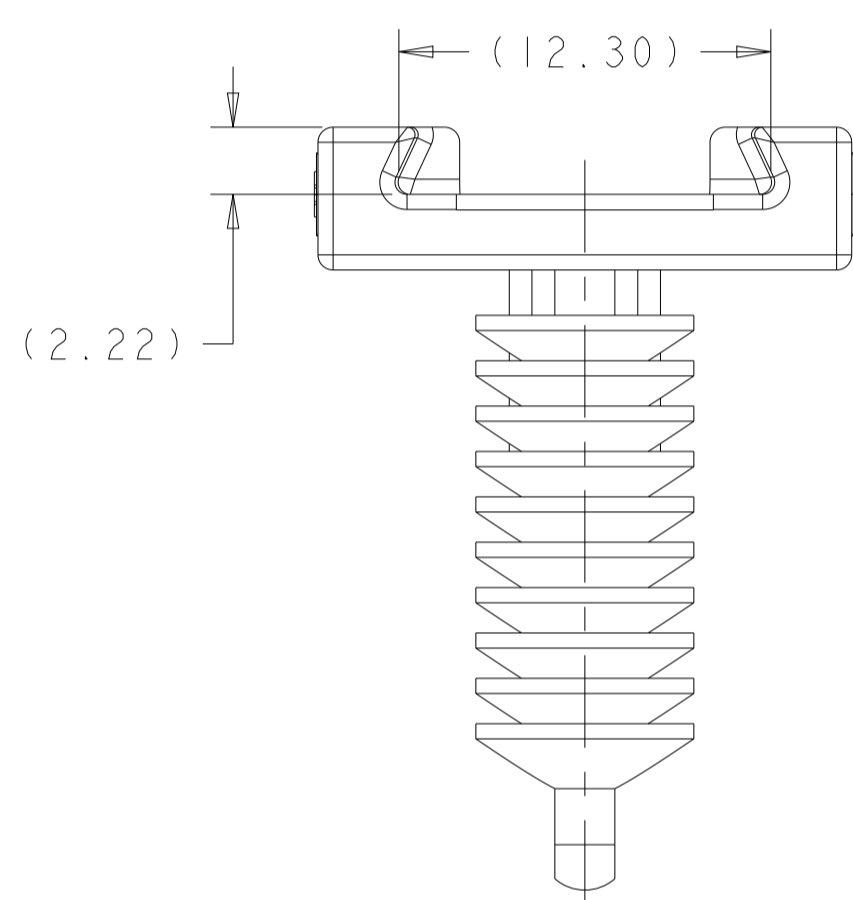
RECOMMENDED MOUNTING PARAMETERS
 1924487-1 AND 1924487-2 ONLY

CONNECTOR POSITION	TREE HOLE (THREADED)	ANTI-ROTATION HOLE (THREADED OR UNTHREADED)	THREAD DEPTH (MINIMUM)
2	M8	M6 (5.0mm)	4mm
3	M8	M6 (5.0mm)	6mm
4	M8	M6 (5.0mm)	6mm
6	M8	M6 (5.0mm)	6mm
8	M8	M6 (5.0mm)	8mm
12	M8	M6 (5.0mm)	8mm

REVISIONS				
P	LTN	DESCRIPTION	DATE	APVD
D		REVISED PER ECO-15-014592	09OCT2015	JM RB
D1		REVISED PER ECO-15-018109	17DEC2015	DD RB
E		REVISED PER ECO-19-009502	20JUN2019	NS RB
E1		REVISED PER PCN-23-189981	16OCT2023	GB CB

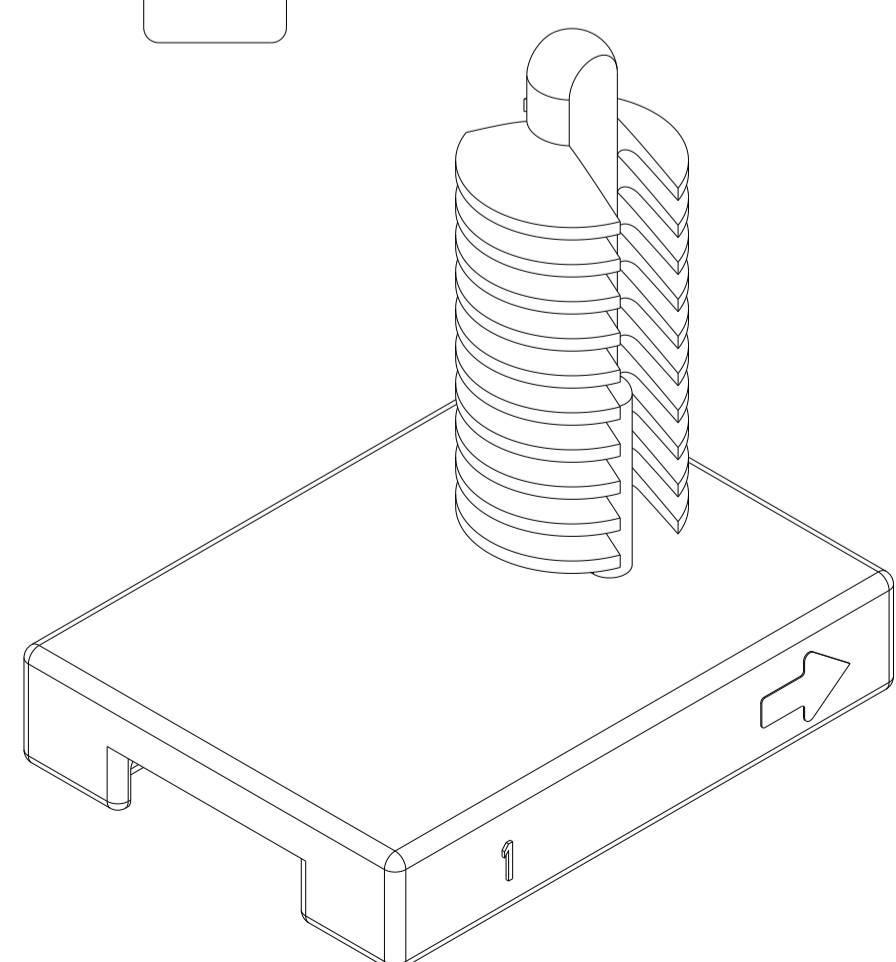
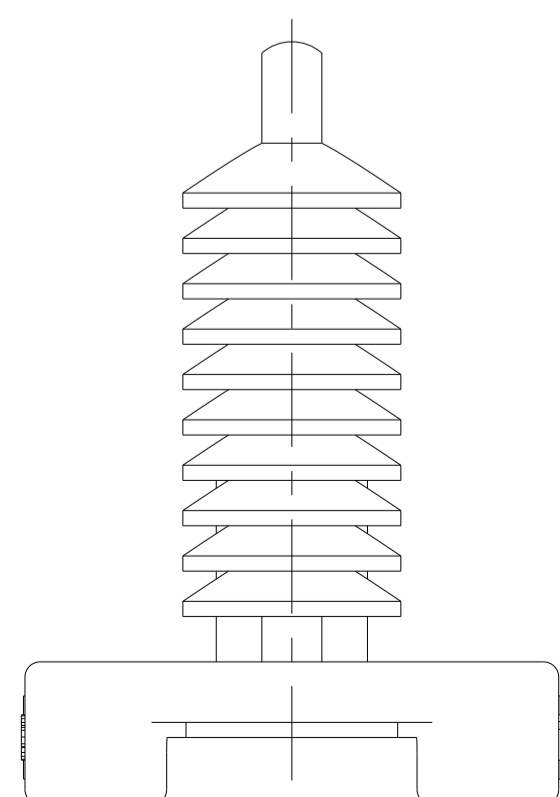
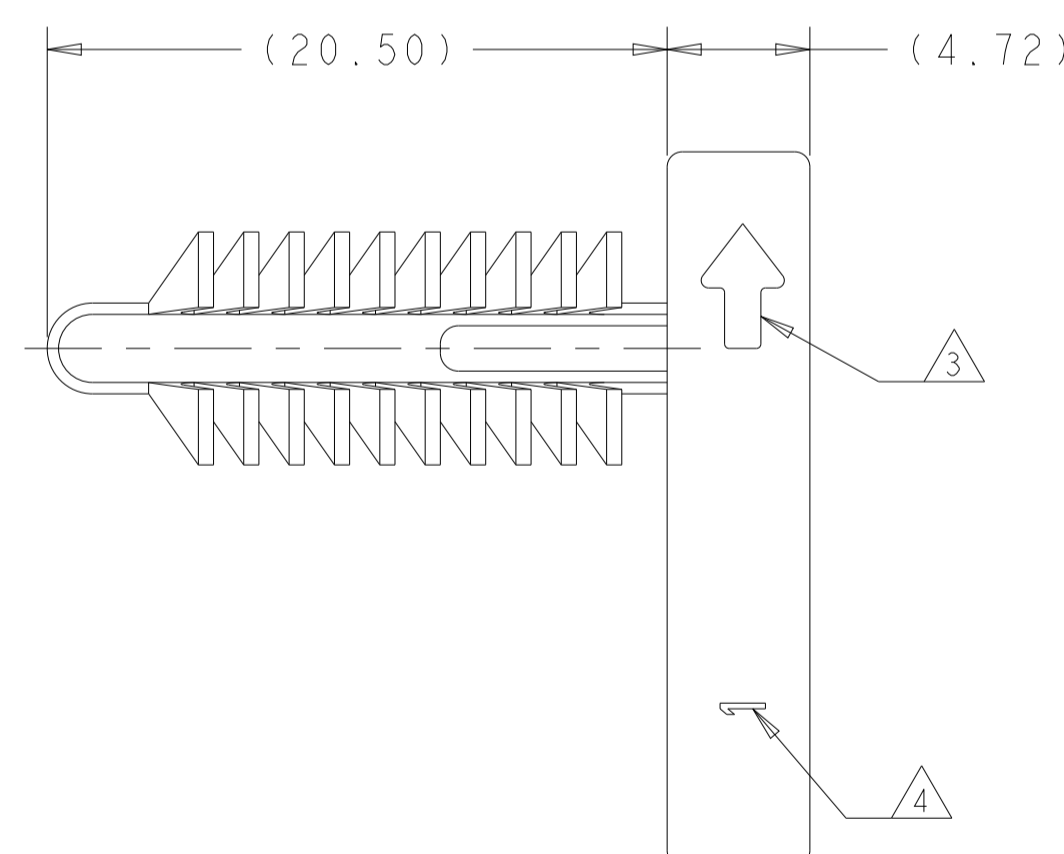
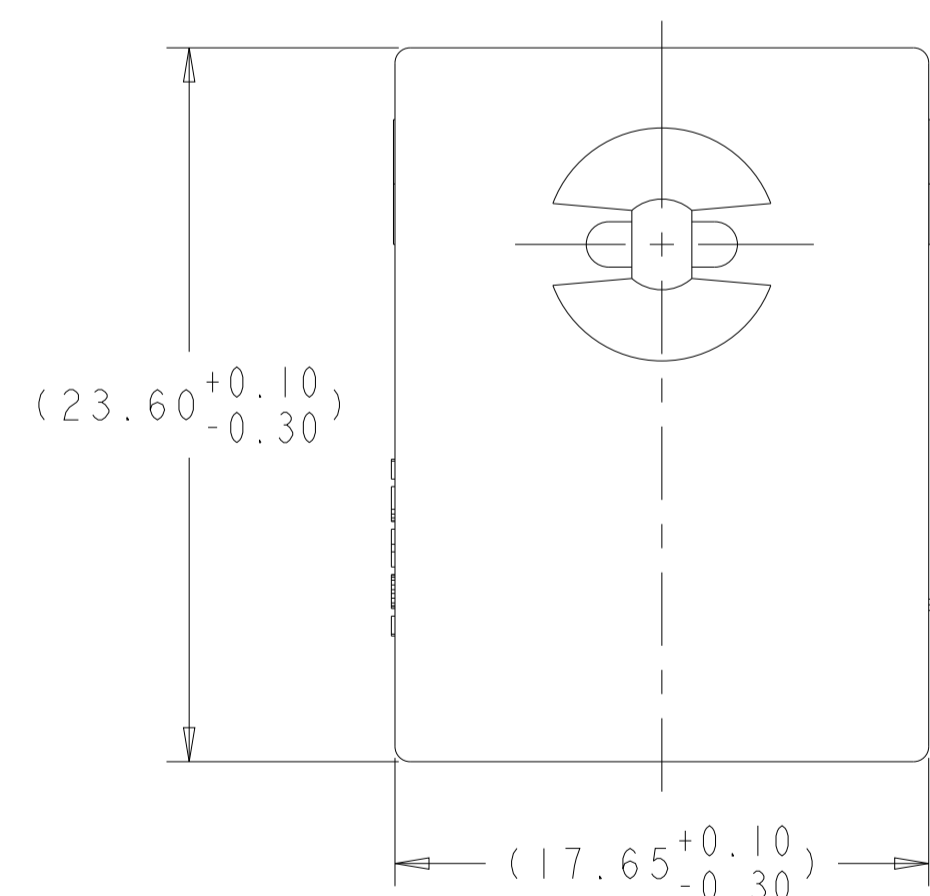
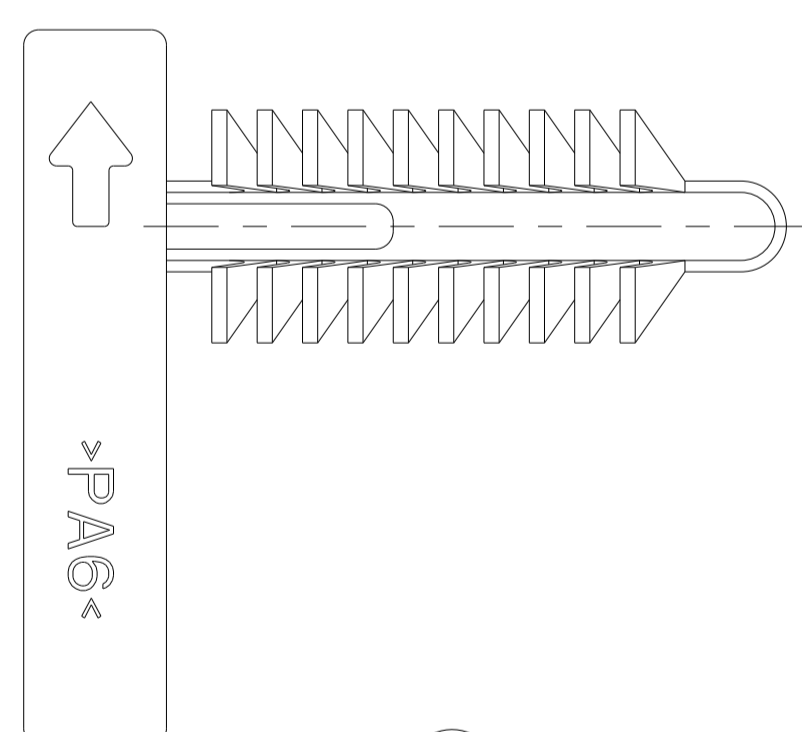
- △ MATERIAL: NYLON 6, COLOR: BLACK
- 2. MOUNTING PARAMETERS: SEE RECOMMENDED MOUNTING TABLE ON LEFT SIDE.
- △3 AREA TO BE FROSTED APPROXIMATELY WHERE SHOWN.
- △4 CAVITY ID.
- △5 ANTI-ROTATION POST DIMENSIONS ONLY APPLY TO 1924487-2.

ⓔ1 6. THIS PART MATES WITH ALL ASI6, DT (EXCEPT FOR 8P), DTM, DTMH RECEPTACLES OR OTHER PARTS WITH THE CLIP RETENTION FEATURE.



1924487-2

DIMS SAME AS 1924487-1 EXCEPT AS SHOWN



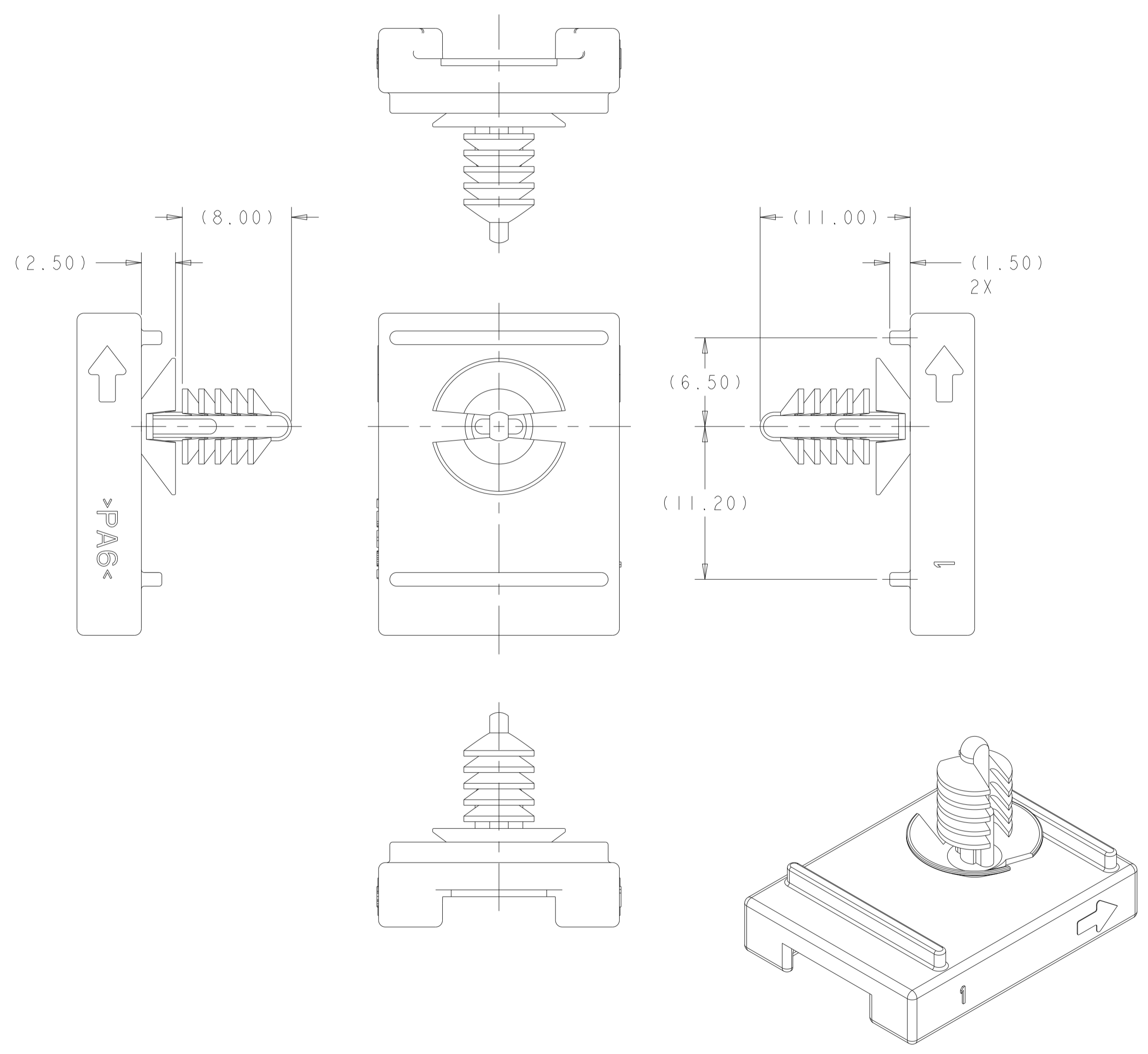
1924487-1

1.50 grams	1924487-3
1.65 grams	1924487-2
1.60 grams	1924487-1
WEIGHT (g)	PART NUMBER

THIS DRAWING IS A CONTROLLED DOCUMENT.		OWN J. MARKEY 22FEB2008		
DIMENSIONS:		CHK J. MARKEY 22FEB2008		
mm	0 PLC ±	APVD J. MARKEY 22FEB2008	NAME	
	1 PLC ±0.5	PRODUCT SPEC	RETAINER CLIP, AMPSEAL 16	
	2 PLC ±0.3	APPLICATION SPEC	-	
	3 PLC ±	SIZE	CAGE CODE	DRAWING NO
	4 PLC ±	RESTRICTED TO	-	
	ANGLES ±	WEIGHT	-	
	FINISH ±	CUSTOMER DRAWING	-	
MATERIAL	△	SCALE	3:1	SHEET 1 OF 2
		REV	E1	

REVISIONS				
P	LTN	DESCRIPTION	DATE	APVD
-		SEE SHEET 1	-	-

RECOMMENDED MOUNTING PARAMETERS
 1924487-3 ONLY
 1924487-3 TO SNAP INTO Ø4.7MM HOLE
 IN 3MM STOCK SHEET METAL.



1924487-3
 DIMS SAME AS 1924487-1
 EXCEPT AS SHOWN

THIS DRAWING IS A CONTROLLED DOCUMENT.		DWN J. MARKEY 22FEB2008 CHK J. MARKEY 22FEB2008 APVD J. MARKEY 22FEB2008	
DIMENSIONS: mm 0 PLC ±0.5 1 PLC ±0.3 2 PLC ±0.3 3 PLC ±0.3 4 PLC ±0.3 ANGLES ±0.5 FINISH -		NAME RETAINER CLIP, AMPSEAL 16 PRODUCT SPEC - APPLICATION SPEC - WEIGHT -	
MATERIAL -		CUSTOMER DRAWING	SIZE A100779 CAGE CODE C=1924487 SCALE 3:1 SHEET 2 OF 2 REV E1