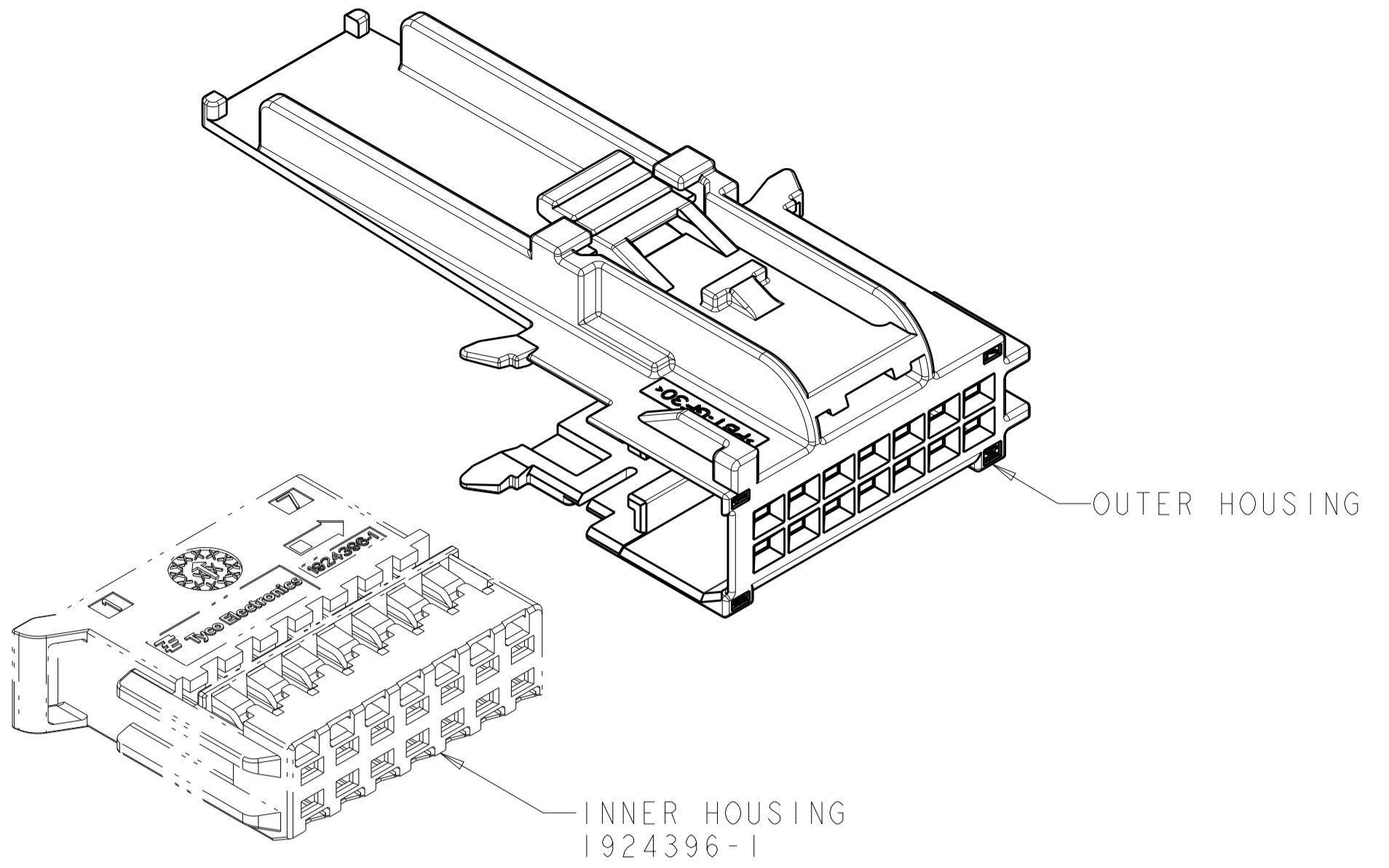
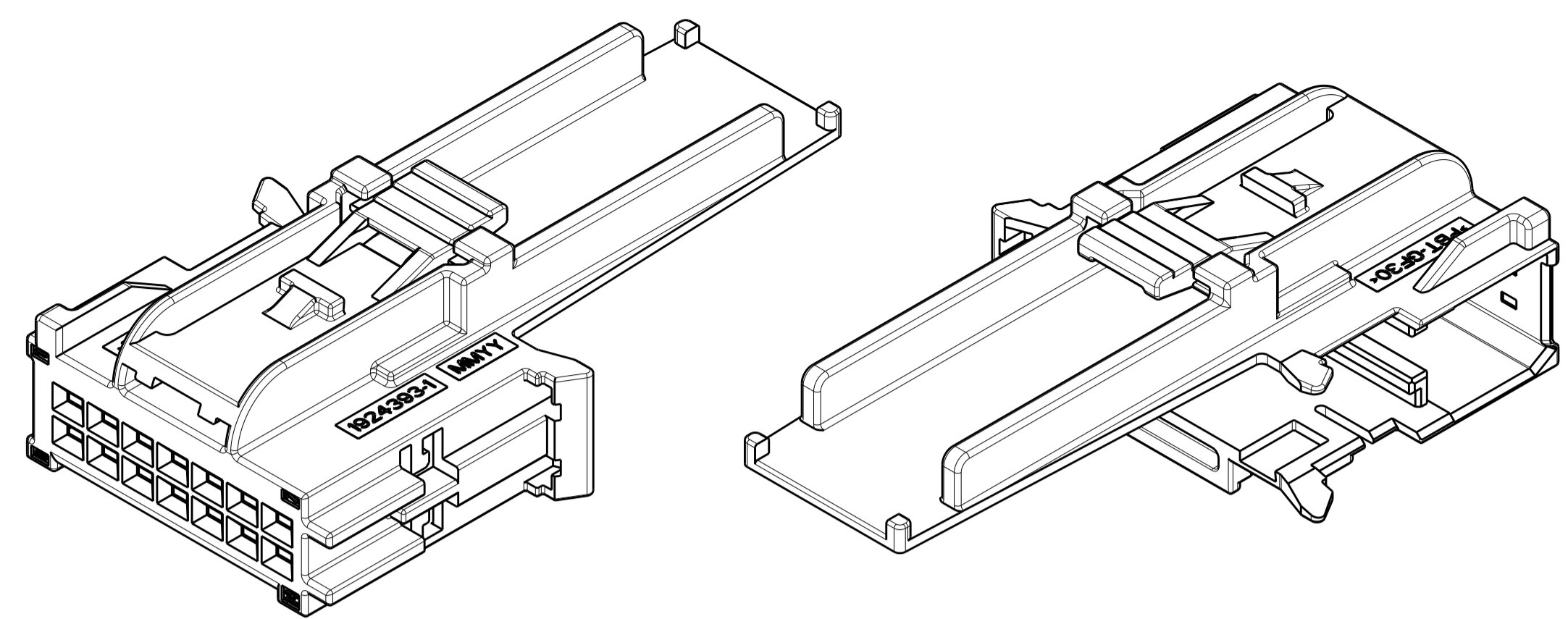


LOC		DIST		REVISIONS			
P	LTN	DESCRIPTION	DATE	DMN	APVD		
A		REVISED PER ECO-10-002458	04FEB2010	MBH	RH		
A1		REVISED PER ECO-11-005811	19APR2011	DLD	SLM		
A2		REVISED PER ECO-13-002965	06MAR2013	DLD	SLM		

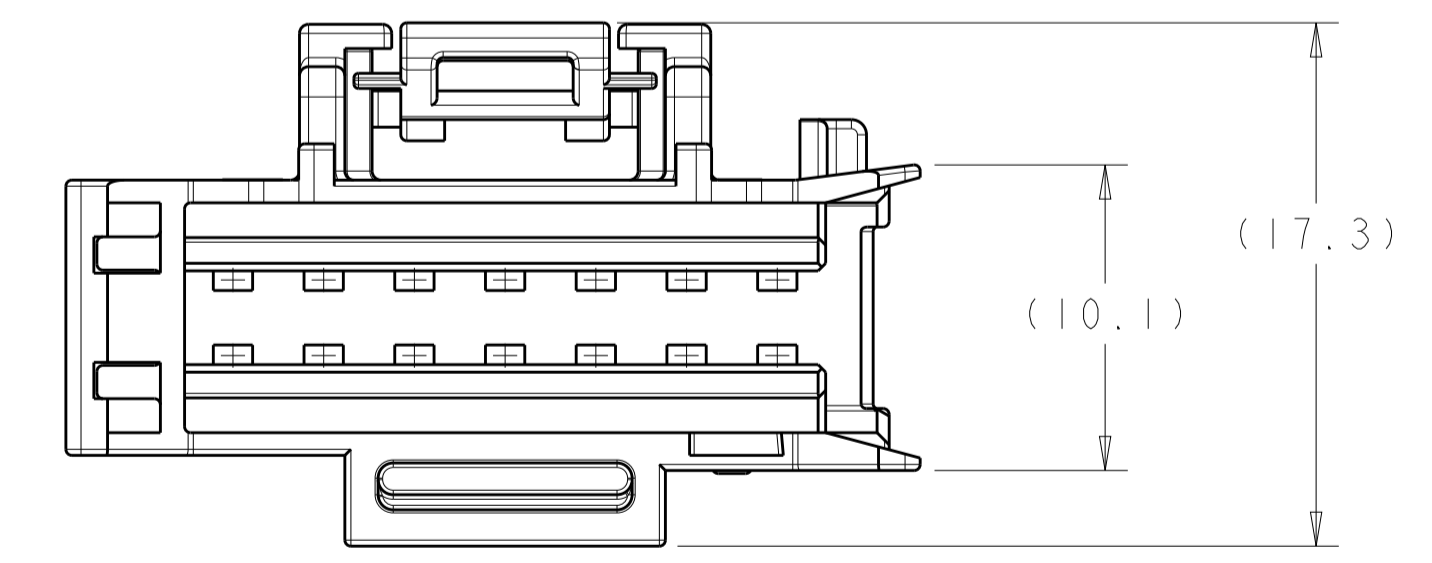
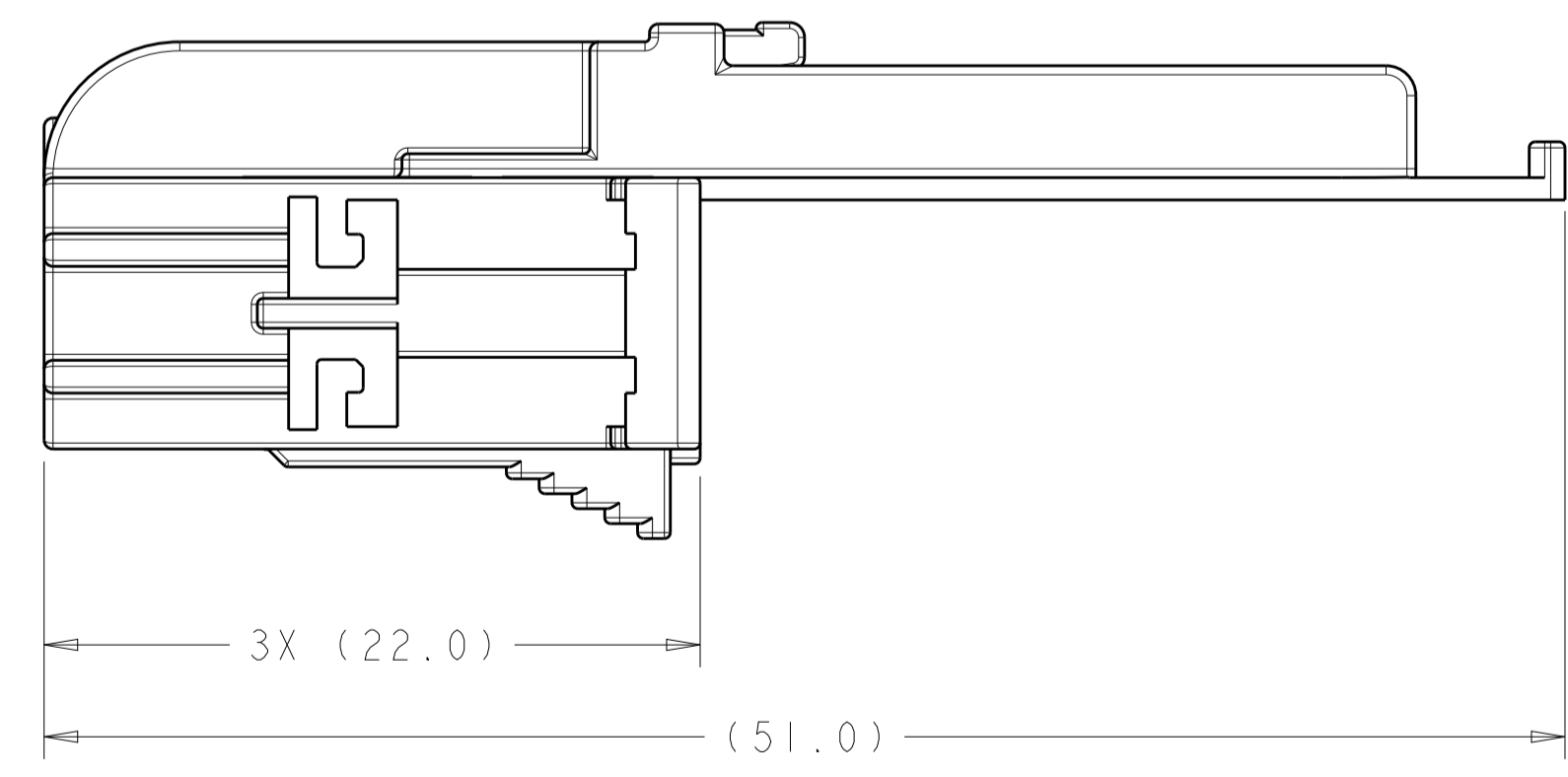
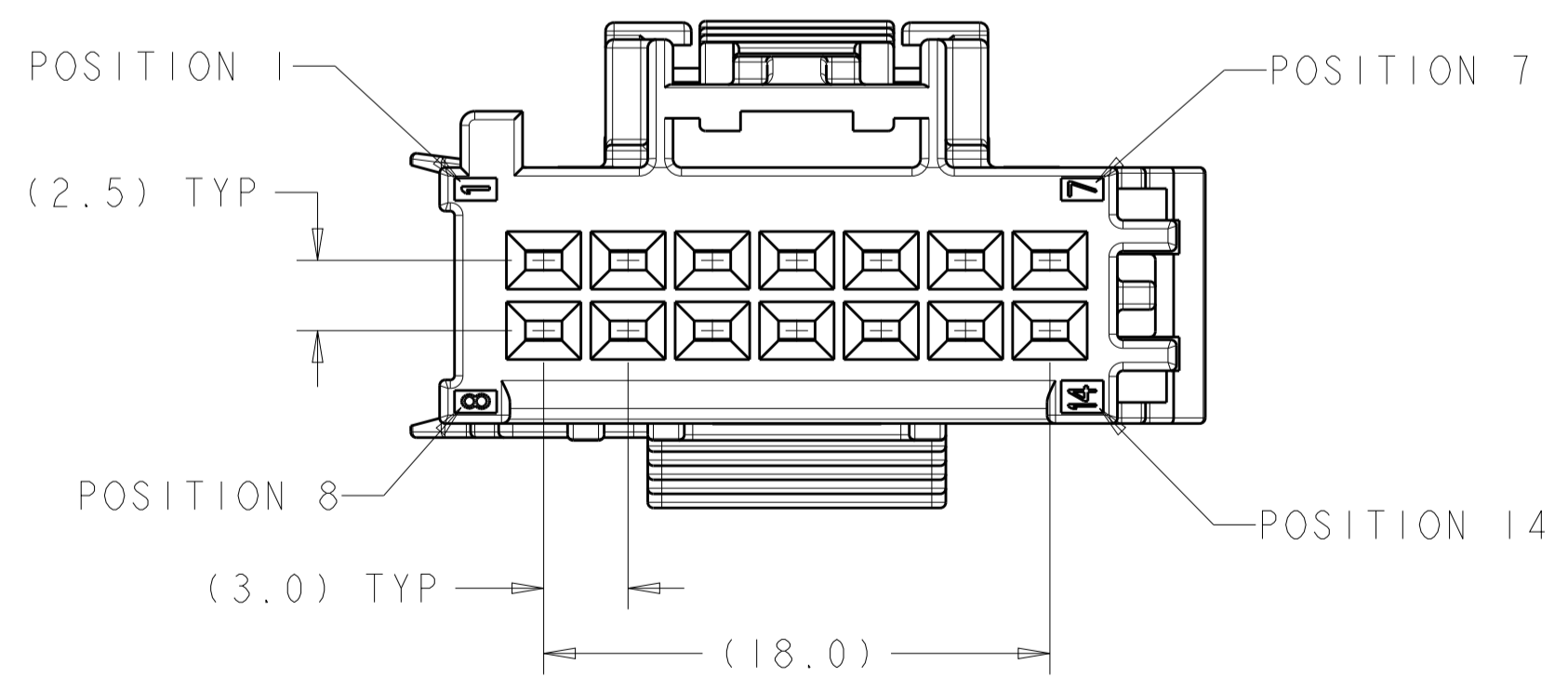
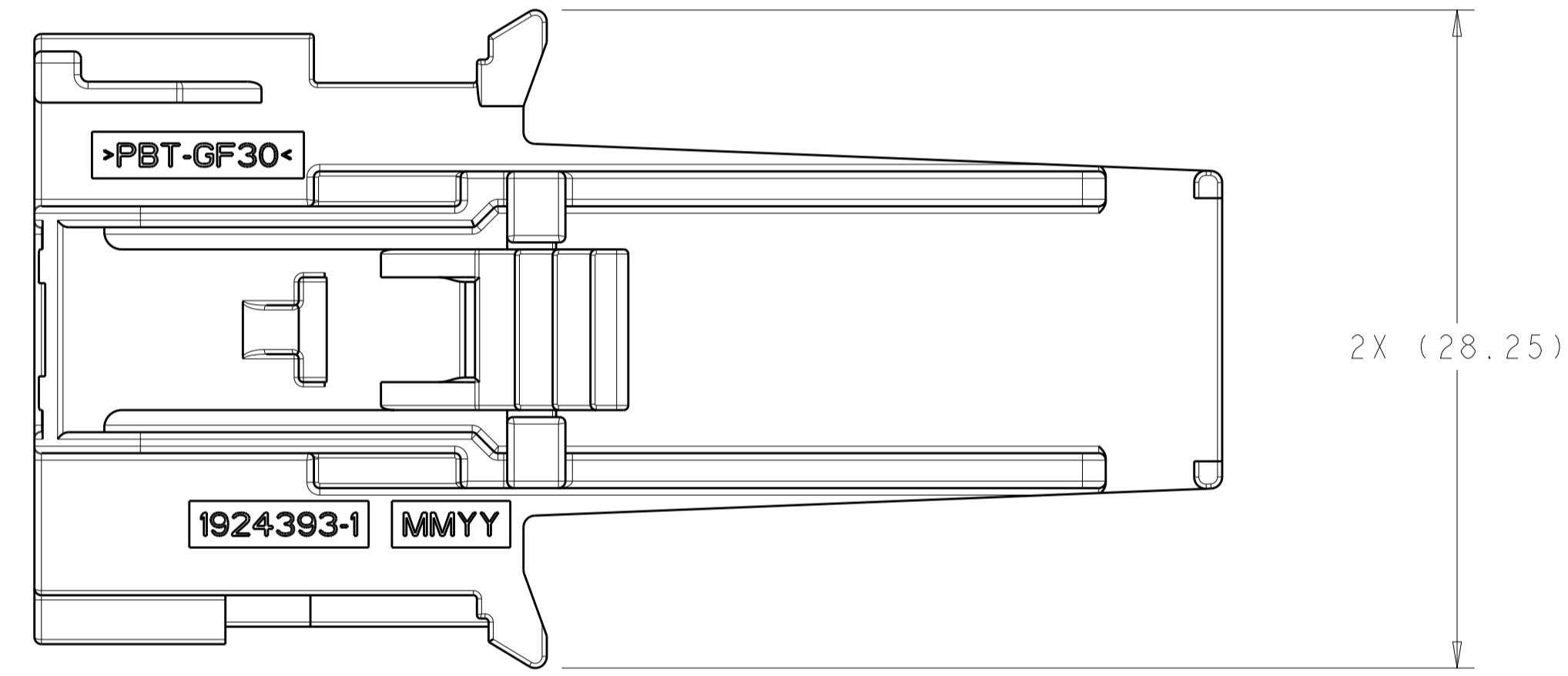


ASSEMBLY VIEW  
 (COMPONENTS MUST BE PURCHASED SEPARATELY)  
 SCALE 3:1



ISOMETRIC VIEWS  
 SCALE 3:1

- 1. OUTER HOUSING: PBT, YELLOW, GLASS FILLED.  
 INNER HOUSING: NYLON, BLACK, GLASS FILLED.
- 2. OUTER HOUSING WILL ACCEPT INNER HOUSING 1924396-1,  
 SOLD SEPARATELY.
- 3. INNER HOUSING WILL ACCEPT MCON 1.2mm CLEAN BODY, STANDARD  
 CRIMP, TERMINALS SHOWN ON DRAWING 1534326, SOLD SEPARATELY.
- 4. REFERENCE DCX INTERFACE DETAIL DRAWING A 204 004 18 99.
- 5. THIS PRODUCT IS VALIDATED TO USCAR-2 REV 5 CLASS T2 S1 V1.
- 6. NOTE DELETED.



1924393-1  
 PART NUMBER

THIS DRAWING IS A CONTROLLED DOCUMENT.		DMN D. J. HARDY 13AUG2007	TE Connectivity
DIMENSIONS:		CHK G. MARTIN 13AUG2007	
mm	TOLERANCES UNLESS OTHERWISE SPECIFIED:	APVD G. MARTIN 13AUG2007	NAME OUTER HOUSING, PLUG, 14 POSITION, UNSEALED, MCON 1.2mm
0 PLC ± 1 PLC ± 2 PLC ± 3 PLC ± 4 PLC ± ANGLES ±	FINISH ±	PRODUCT SPEC APPLICATION SPEC WEIGHT CUSTOMER DRAWING	SIZE A1
MATERIAL		SCALE 4:1	RESTRICTED TO
		SHEET 1 OF 1	REV A2