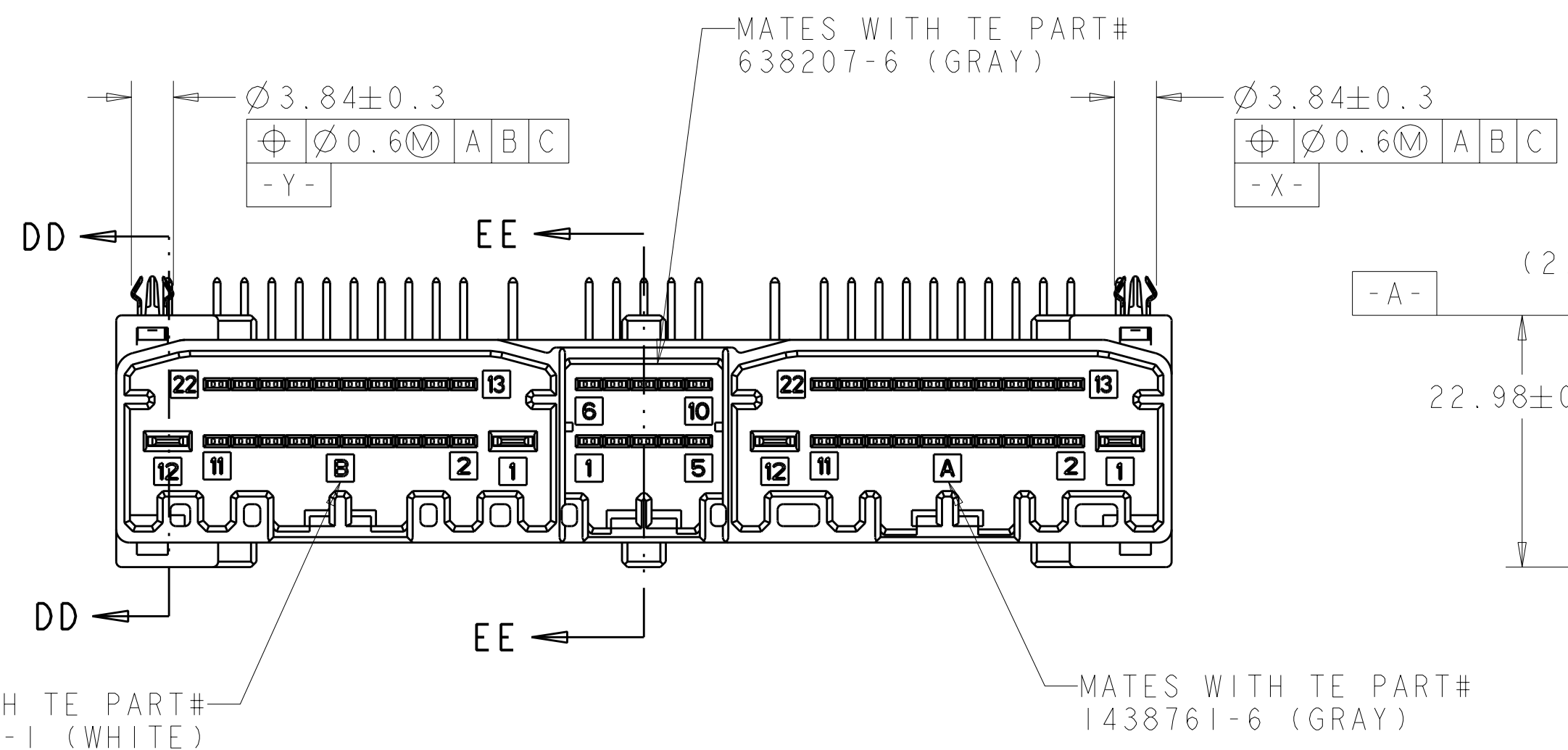
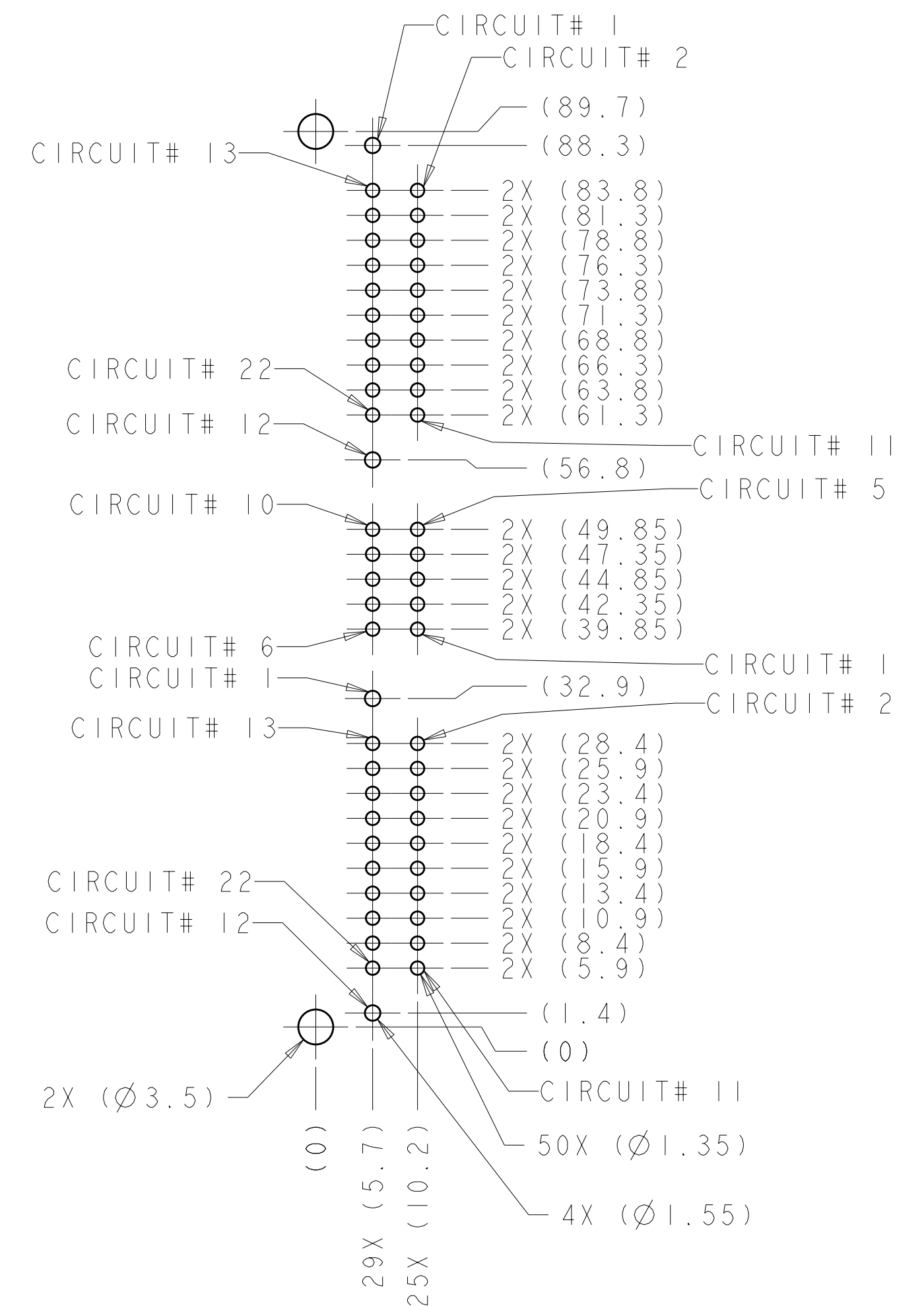


LOC	DIST	REV	DATE	BY	APPD
FX	00	A	31OCT2006	RGV	TN
		A1	06OCT2006	DLD	TN
		A2	17JUN2010	VSS	MB



MATERIAL	FINISH	MATERIAL	FINISH	MATERIAL	COLOR	PART NUMBER
BRASS	PRE-TIN	BRASS	POST-TIN	PCT	GRAY	9-1924162-6
BOARDLOCK						PART NUMBER
CONTACT						
HOUSING						PART NUMBER
CUSTOMER DRAWING						

DIMENSIONS: mm 9 PLC ±0.3 1 PLC ±0.10 5 PLC ±0.1 4 PLC ±0.1 ANGLES ±1° FINISH SEE TABLE	TOLERANCES UNLESS OTHERWISE SPECIFIED: 9 PLC ±0.3 1 PLC ±0.10 5 PLC ±0.1 4 PLC ±0.1 ANGLES ±1° FINISH SEE TABLE	DWN: VESTAL 31OCT2006 CHK: T. NAKAYAMA 31OCT2006 APVD: T. NAKAYAMA 31OCT2006 PRODUCT SPEC: APPLICATION SPEC: 114-13158 WEIGHT: CUSTOMER DRAWING	Tyco Electronics Tyco Electronics Harrisburg, PA 17105-3608 NAME: 54 WAY HYBRID 040, 2.8 PINS UP CAP ASSEMBLY WITH BOARDLOCKS SIZE: CAGE CODE: DRAWING NO: 00779 C=1924162 SCALE: 2:1 SHEET 1 OF 1 REV: A2
--	---	--	---