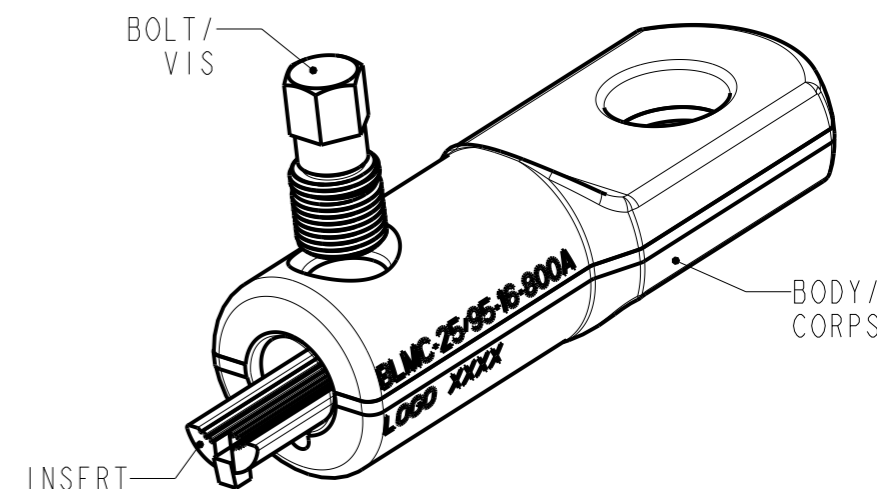
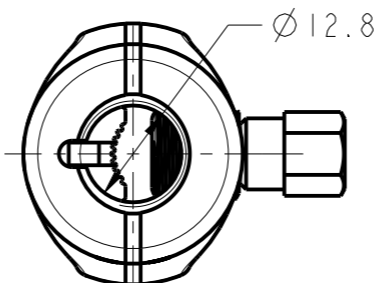
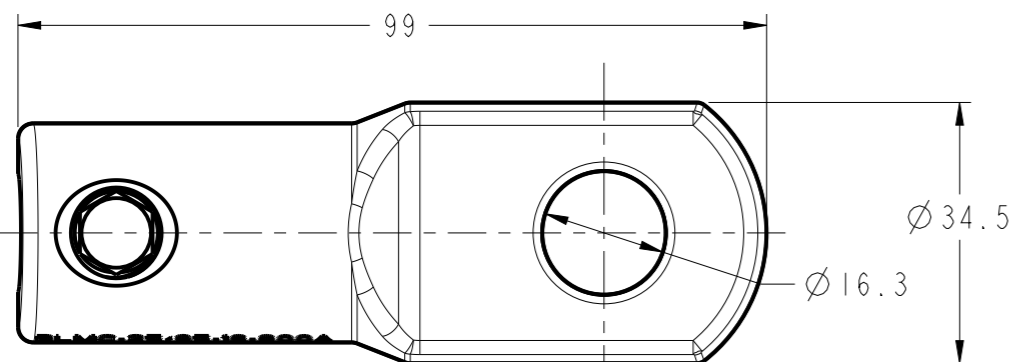
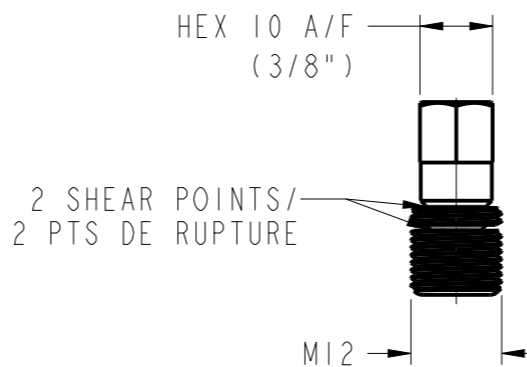
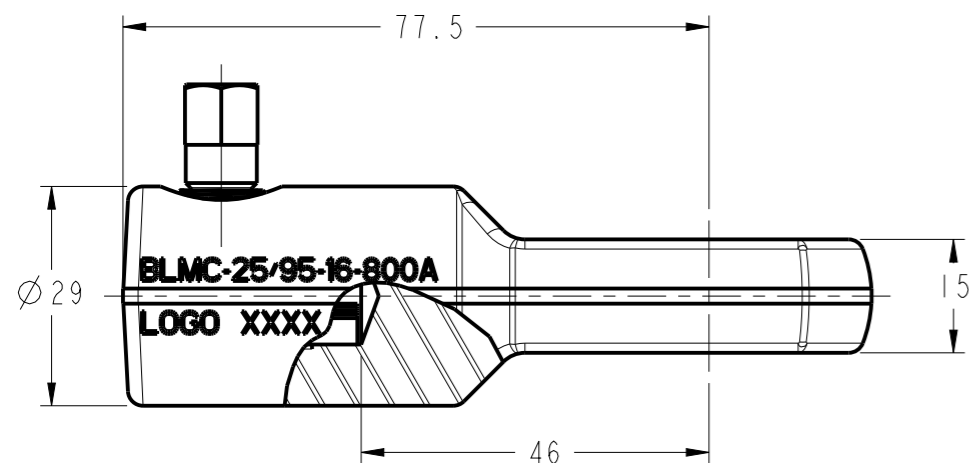


© 2020 TE Connectivity. All Rights Reserved.

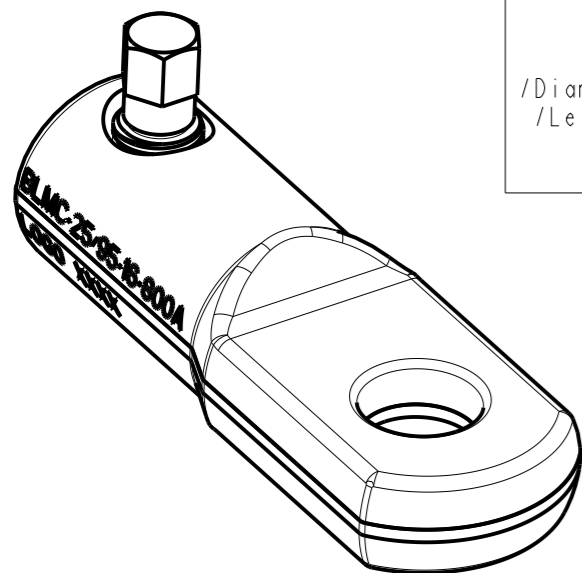
BLMC-25/95-16-800A	1923652-1
DESCRIPTION	PART NUMBER

REVISIONS

P	LTR	DESCRIPTION	DATE	DWN	APVD
	A	CREATION	16SEP2008	BM	NA
	B	UPDATE CABLE RANGE TAKING	24AUG2010	BM	NA
	C	HEX BOLT HEAD REDUCED PER ECR	07SEP2020	NB	BM



	AL				CU			
	ROUND STRANDED /Circ. câblé /RM	ROUND SOLID /Circ. massif /RE	SECTOR STRANDED /Sectoral câblé /SM	SECTOR SOLID /Sectoral massif /SE	ROUND STRANDED /Circ. câblé /RM	ROUND SOLID /Circ. massif /RE	SECTOR STRANDED /Sectoral câblé /SM	ROUND FLEXIBLE
CONDUCTOR CROSS-SECTION /Section conducteur /Querschnittsbereich mm ²	25-95	16-95	25-70 (95 with rounding)	-	16-95	10-50	25-70 (95 with rounding)	25-35 70
CONDUCTOR DIAMETER /Diamètre conducteur /Leiterdurchmesser mm	Ø 5.6-Ø 12.5	Ø 4.1-Ø 11	-	-	Ø 4.8-Ø 12.5	Ø 3.6-Ø 8	-	Ø 6.3-Ø 9.2 (25 ² -35 ²) Ø 11-Ø 12 (FOR 70 ²)



TOLERANCES UNLESS OTHERWISE SPECIFIED: -
TOLERANCES NON SPECIFIEES: -

THIS DRAWING IS A CONTROLLED DOCUMENT.

DWN B. MILLOT 16SEP2008

CHK M. DOLLING

APVD N. ALMEIDA

PRODUCT SPEC

APPLICATION SPEC

WEIGHT 137g

CUSTOMER DRAWING



NAME BLMC-25/95-16-800A

SIZE A3

CAGE CODE -

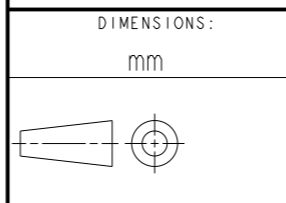
DRAWING NO C-1923652

RESTRICTED TO -

SCALE 1:1

SHEET 1 OF 1

REV C



TOLERANCES UNLESS OTHERWISE SPECIFIED:	
0 PLC	±0
1 PLC	±0
2 PLC	±0
3 PLC	±0
4 PLC	±0
ANGLES	±

MATERIAL AL ALLOY

FINISH TINNED