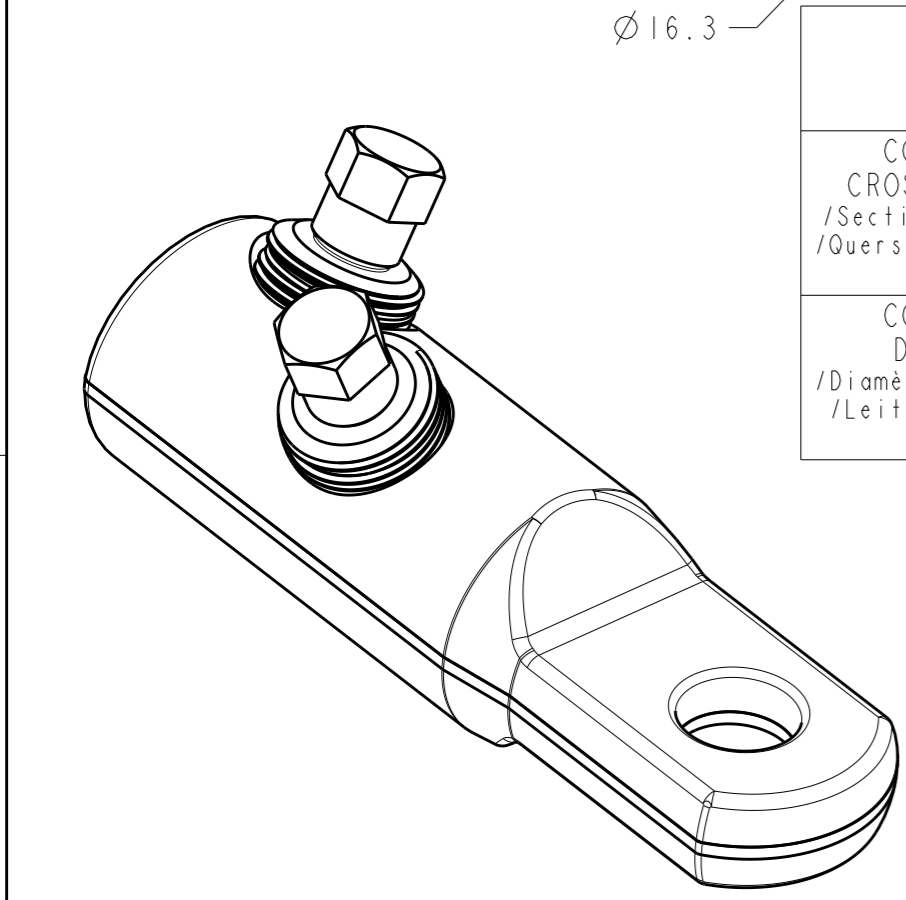
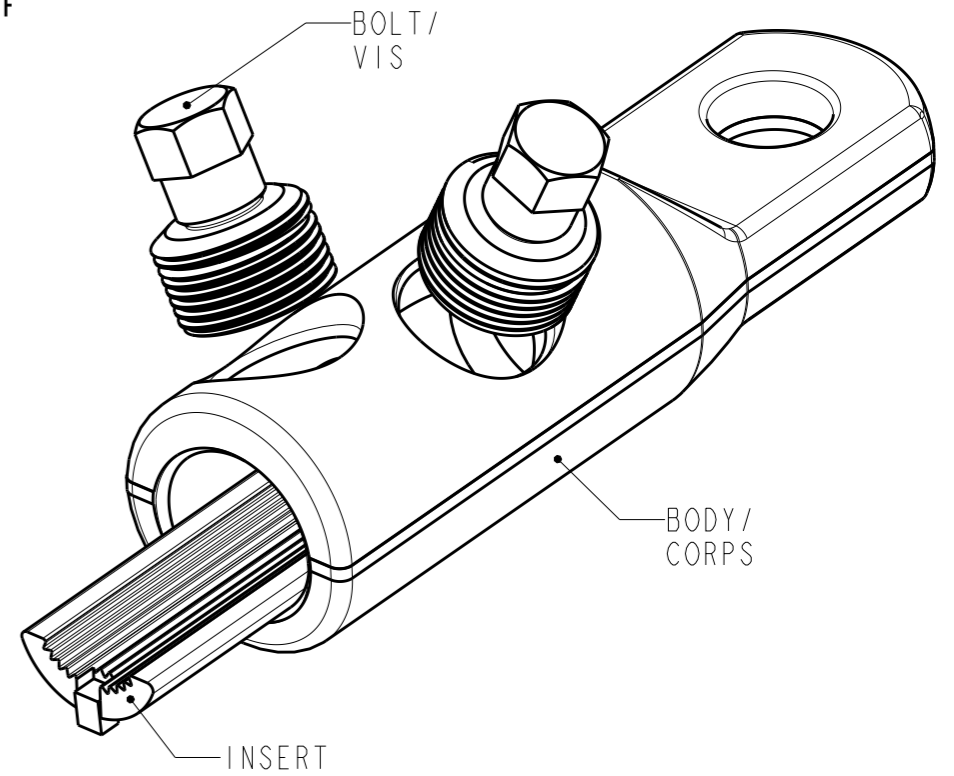
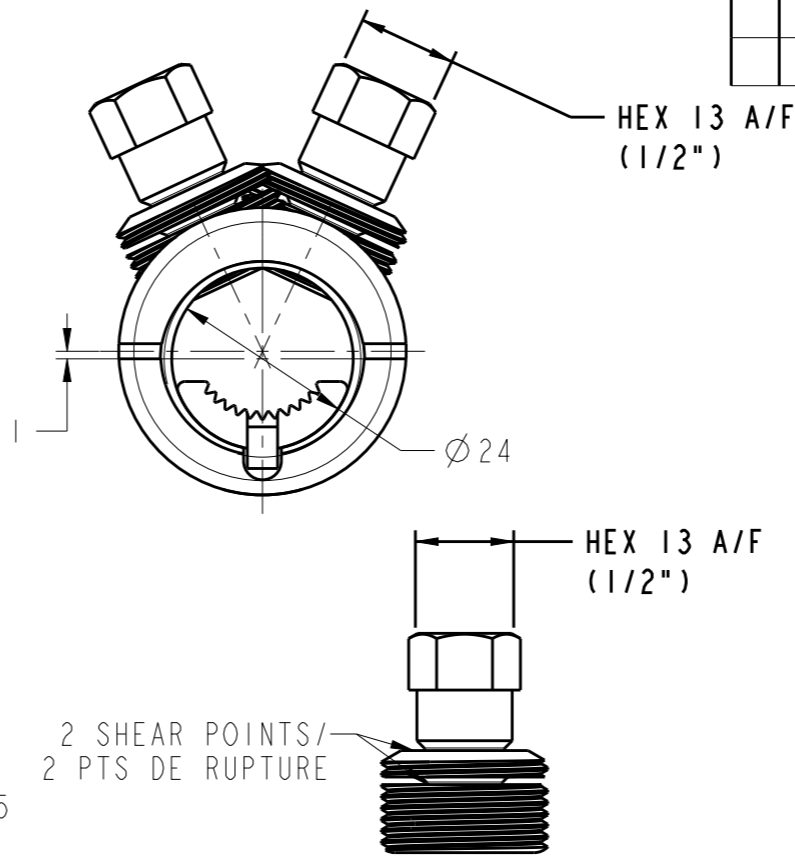
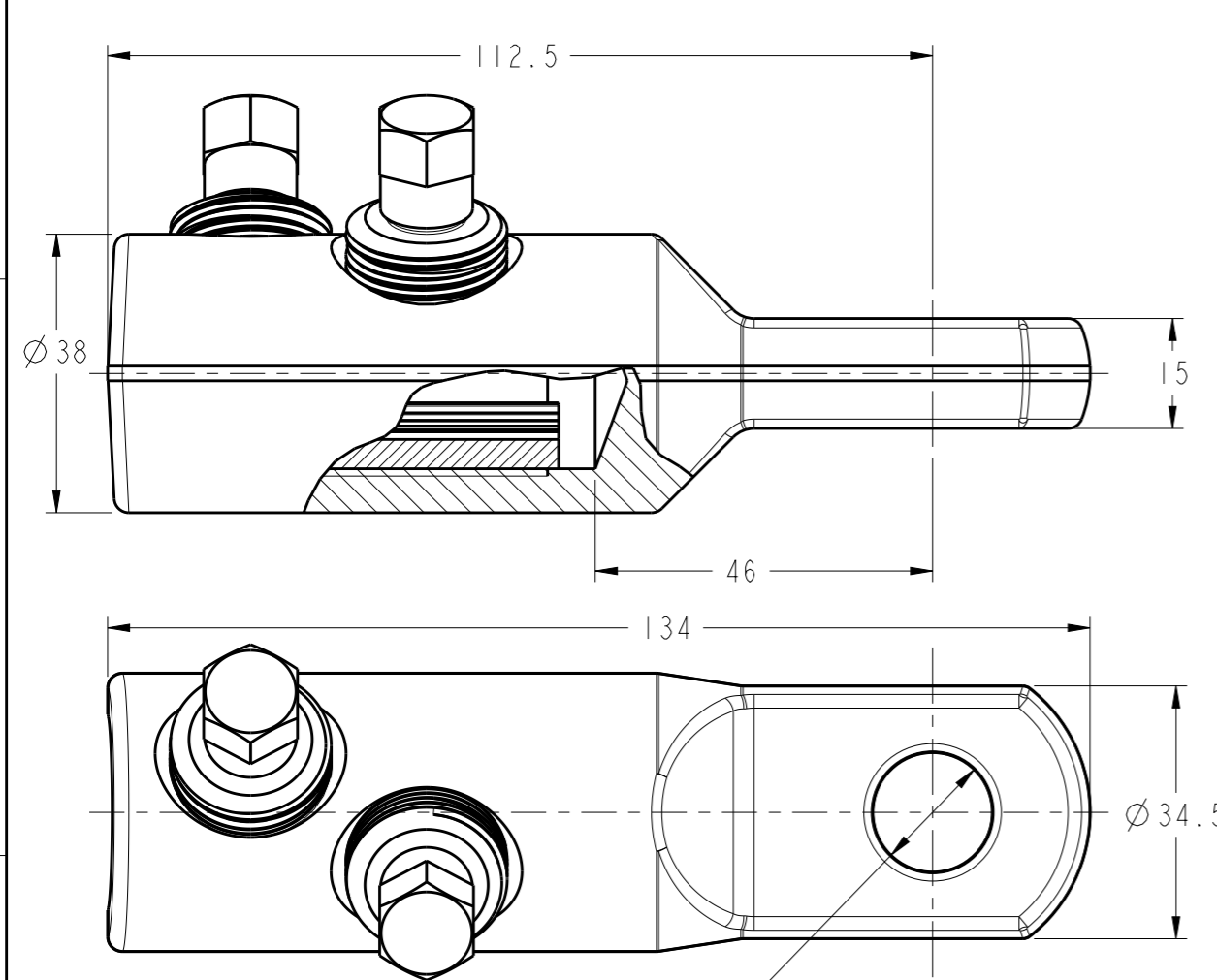


THIS DRAWING IS UNPUBLISHED.
 DIFFUSION RESTREINTE
 © COPYRIGHT 20 BY -
 ALL RIGHTS RESERVED.
 TOUS DROITS RESERVES


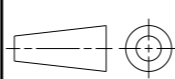
BLMC-150/300-16-800A	1923340-1
DESCRIPTION	TCPN

REVISIONS					
P	LTR REV	DESCRIPTION MODIFICATIONS	DATE	DWN DESS.	APVD APP.
	A	CREATION	15JAN2009	BM	NA
	B	ECR-15-017241 (UPDATE PRODUCT DESC)	25NOV2015	BM	NA
	C	ECR-20-003097 HEAD REDUCES TO 13	13MAR2020	NB	AG



	AL				CU		
	ROUND STRANDED /Circ. câblé /RM	ROUND SOLID /Circ. massif /RE	SECTOR STRANDED /Sectoral câblé /SM	SECTOR SOLID /Sectoral massif /SE	ROUND STRANDED /Circ. câblé /RM	SECTOR STRANDED /Sectoral câblé /SM	ROUND FLEXIBLE /CIRC.SOUPLE
CONDUCTOR CROSS-SECTION /Section conducteur /Querschnittsbereich mm ²	150-300	150-300	150-185 (240 and 300 with rounding)	150-240	150-300	150-185 (240 and 300 with rounding)	240-300 (CLASS 5)
CONDUCTOR DIAMETER /Diamètre conducteur /Leiterdurchmesser mm	Ø13.7-Ø23.1	Ø12.9-Ø19.8	-	-	Ø13.7-Ø22.6	-	450KCMIL Ø20-Ø23,5

TOLERANCES UNLESS OTHERWISE SPECIFIED: -
 TOLERANCES NON SPECIFIEES: -

THIS DRAWING IS A CONTROLLED DOCUMENT. <small>CE PLAN EST UN DOCUMENT CONTROLE PAR TYCO ELECTRONICS CORPORATION. IL EST SUSCEPTIBLE D'ETRE REVISE. POUR OBTENIR LA DERNIERE REVISION, CONTACTER LE SERVICE TECHNIQUE DE TYCO ELECTRONICS SIMEL SAS, 21220 GEVREY-CHAMBERTIN, FRANCE</small>		DWN/DESSINE B. MILLOT 13MAR2020	 TE Connectivity	
DIMENSIONS: mm		CHK/VERIFIE A. GUICHARD		
		APVD /APPROUVE N. ALMEIDA	NAME /TITRE BLMC-150/300-16-800A	
MATERIAL /MATERIE AL ALLOY		PRODUCT SPEC SPEC. PRODUIT	SIZE /FORMAT A3	
FINISH /FINITION TINNED		APPLICATION SPEC SPEC. APPLICATION	CAGE CODE -	DRAWING NO No PLAN C=1923340
		WEIGHT /MASSE APPROX. 272 g	RESTRICTED TO RESERVE A	
		CUSTOMER DRAWING /PLAN CLIENT	UNIQUEMENT POUR REFERENCE	SCALE /ECHELLE 1:1
			SHEET /FEUILLE	OF /DE
			REV C	