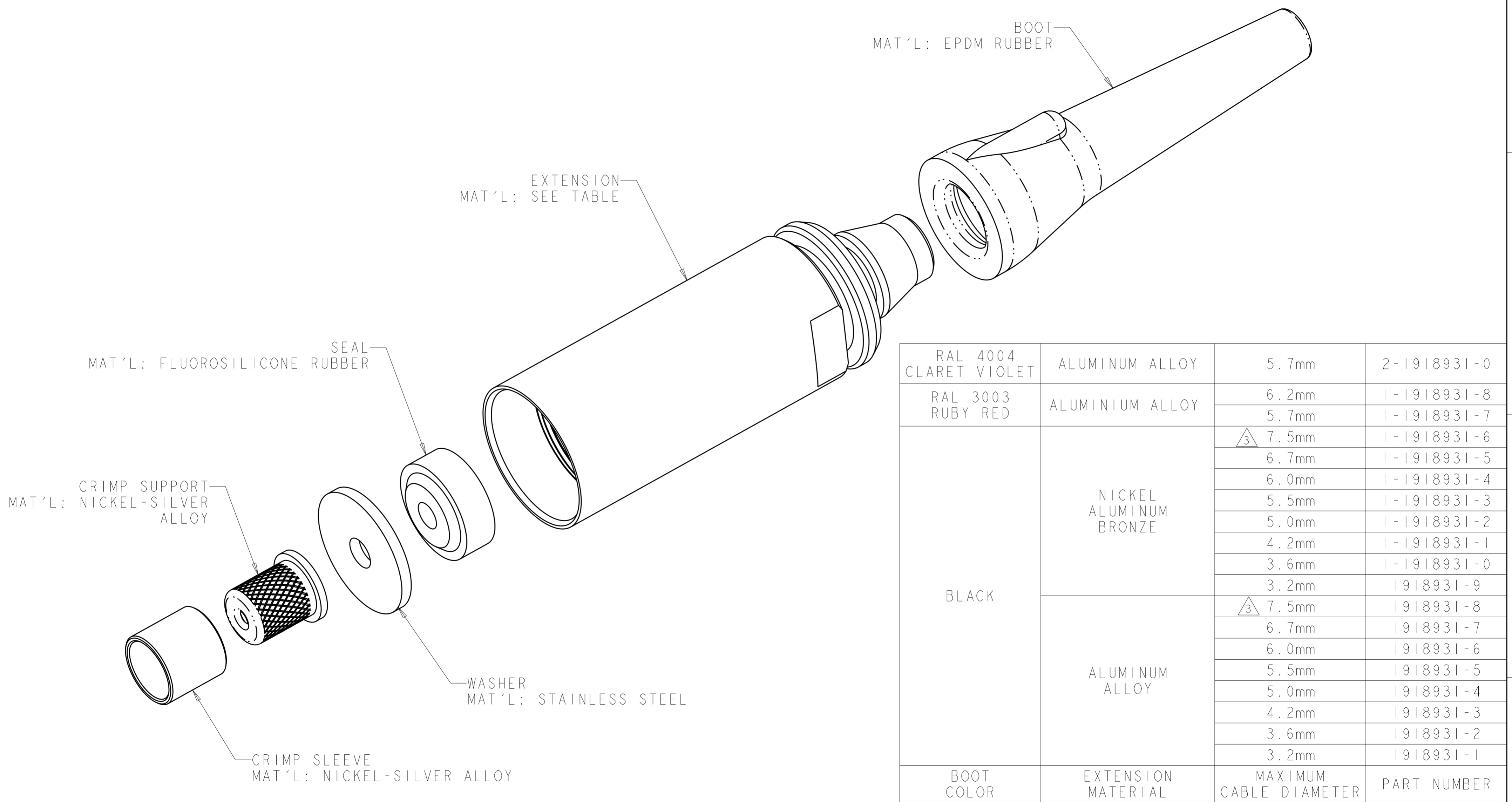


THIS DRAWING IS UNPUBLISHED. RELEASED FOR PUBLICATION 20
 © COPYRIGHT 20 BY - ALL RIGHTS RESERVED.

REVISIONS				
P	LTR	DESCRIPTION	DATE	APVD
C		ECR-15-008603	24JUN2015	KG DW
C1		ECR-19-015389	21OCT2019	LN DW
C2		ECO-20-009383	14JUL2020	LN DW



BOOT COLOR	EXTENSION MATERIAL	MAXIMUM CABLE DIAMETER	PART NUMBER
RAL 4004 CLARET VIOLET	ALUMINUM ALLOY	5.7mm	2-1918931-0
BLACK	NICKEL ALUMINUM BRONZE	6.2mm	1-1918931-8
		5.7mm	1-1918931-7
		$\triangle 3$ 7.5mm	1-1918931-6
		6.7mm	1-1918931-5
		6.0mm	1-1918931-4
		5.5mm	1-1918931-3
		5.0mm	1-1918931-2
		4.2mm	1-1918931-1
		3.6mm	1-1918931-0
		3.2mm	1918931-9
		$\triangle 3$ 7.5mm	1918931-8
		6.7mm	1918931-7
		6.0mm	1918931-6
		5.5mm	1918931-5
5.0mm	1918931-4		
4.2mm	1918931-3		
3.6mm	1918931-2		
3.2mm	1918931-1		
ALUMINUM ALLOY			

1. PACKAGED LOOSE PIECE.
 2. DIMENSIONS ARE FOR REFERENCE ONLY.
- $\triangle 3$ FOR USE WITH $\varnothing 7.5$ mm BREAKOUT CABLE WITH $\varnothing 2.15$ mm MAXIMUM JACKETED SUBUNITS.

THIS DRAWING IS A CONTROLLED DOCUMENT.

DWN: K. GLATFELTER 21OCT2006
 CHK: D. WERTMAN 02JUN2008
 APVD: D. WERTMAN 02JUN2008

STE TE Connectivity

NAME: CABLE ADAPTER KIT, PLUG, PRO BEAM JR.

SIZE: A2 CAGE CODE: 00779 DRAWING NO: C-1918931 RESTRICTED TO: -

MATERIAL: AS LISTED FINISH: HARD ANODIZE (AL ONLY)

Customer Drawing SCALE: 3:1 SHEET: 1 OF 1 REV: C2