

THIS DRAWING IS UNPUBLISHED.

RELEASED FOR PUBLICATION

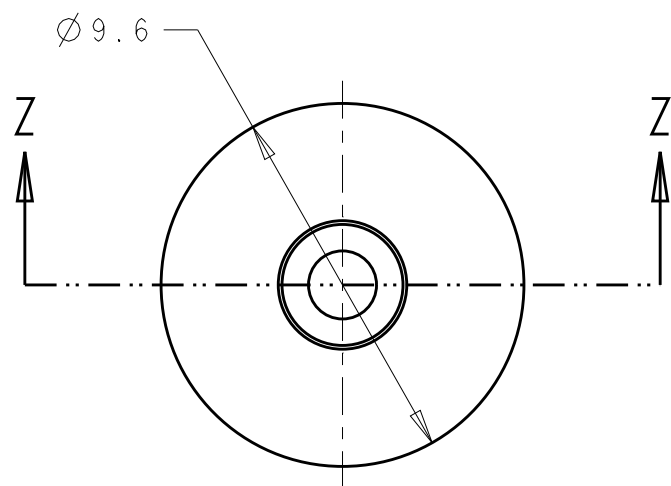
20

© COPYRIGHT 20 BY -

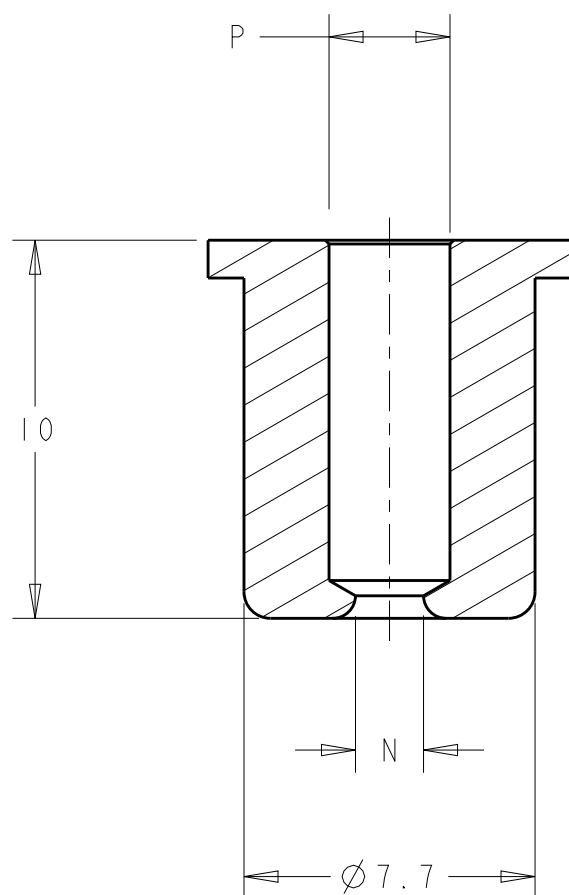
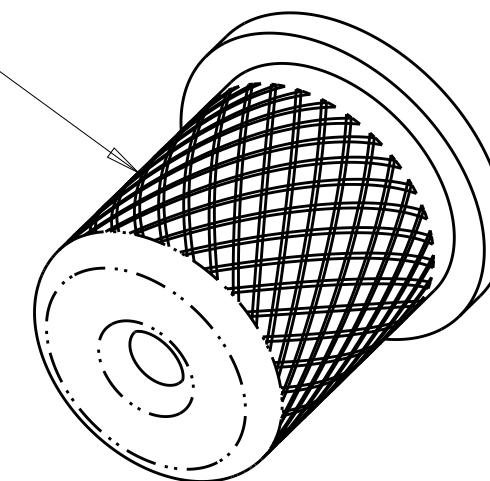
ALL RIGHTS RESERVED.

REVISIONS

P	LTR	DESCRIPTION	DATE	DWN	APVD
	A	RELEASED	10JAN2011	KG	DW
	A1	ECR-16-012523	01SEP2016	KG	DW



DIAMOND KNURL



SECTION Z-Z

- 1. MATERIAL: NICKEL SILVER ALLOY.
- 2. FOR USE WITH CRIMP SLEEVE P/N 1918497-1.
- 3. DIMENSIONS ARE FOR REFERENCE ONLY.

1.2	2.2	A	1918498-7
5.3	6.7	A	1918498-6
4.8	6.2	A	1918498-5
4.3	5.7	A	1918498-4
3.8	5.2	A	1918498-3
2.8	4.2	A	1918498-2
1.8	3.2	A	1918498-1
N	P	PART REVISION	PART NUMBER

THIS DRAWING IS A CONTROLLED DOCUMENT.		DWN K. GLATFELTER 10JAN2011	TE Connectivity	
DIMENSIONS: mm		CHK D. WERTMAN 10JAN2011		
TOLERANCES UNLESS OTHERWISE SPECIFIED:		APVD D. WERTMAN 10JAN2011	NAME CRIMP SUPPORT	
0 PLC ±- 1 PLC ±- 2 PLC ±- 3 PLC ±- 4 PLC ±- ANGLES ±-		PRODUCT SPEC -	-	
MATERIAL -		FINISH -	APPLICATION SPEC -	RESTRICTED TO -
-		WEIGHT -	SIZE A3	CAGE CODE 00779
-		CUSTOMER DRAWING	DRAWING NO C-1918498	SCALE 5:1
			SHEET 1	OF 1
			REV A1	