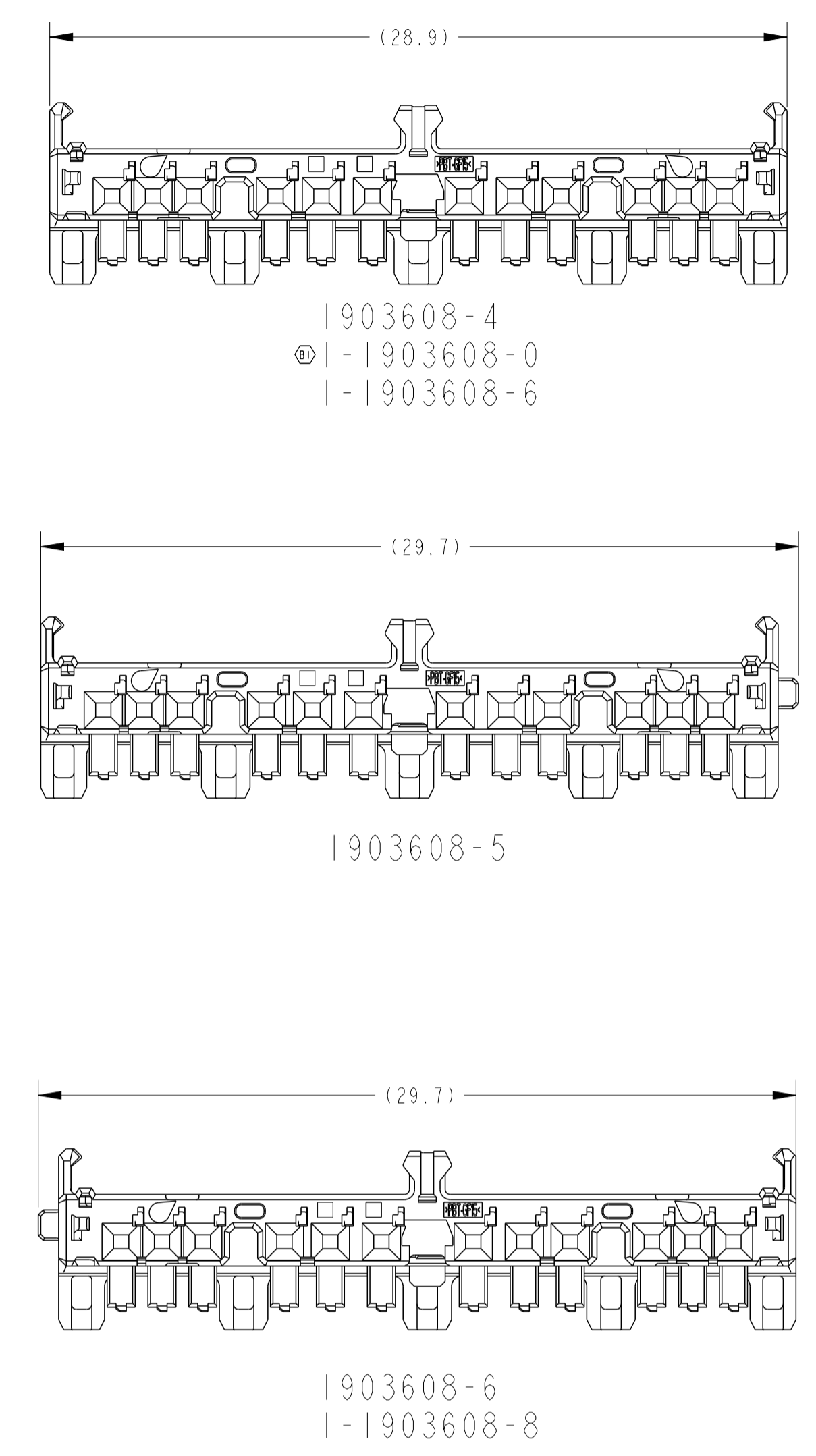
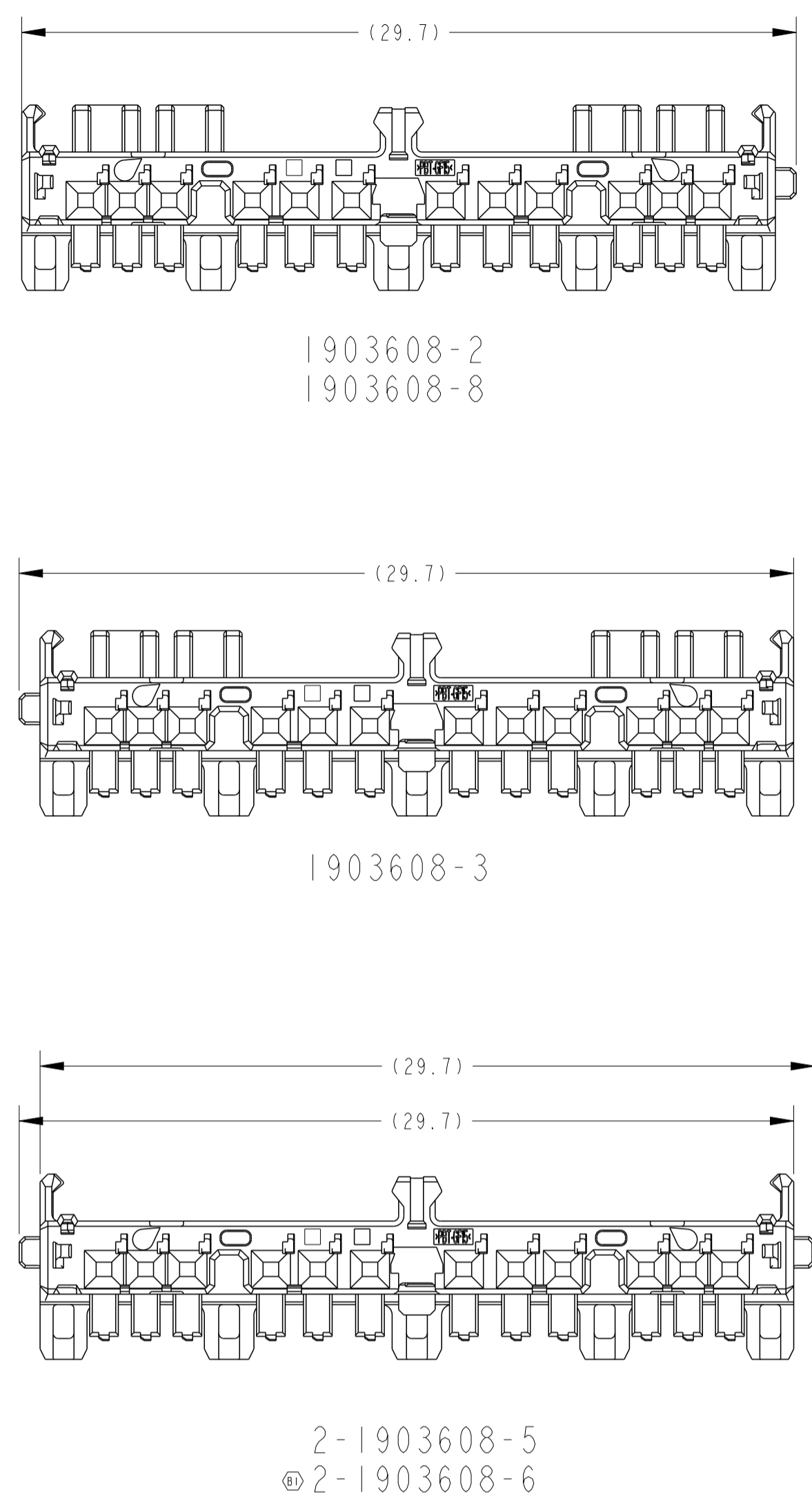
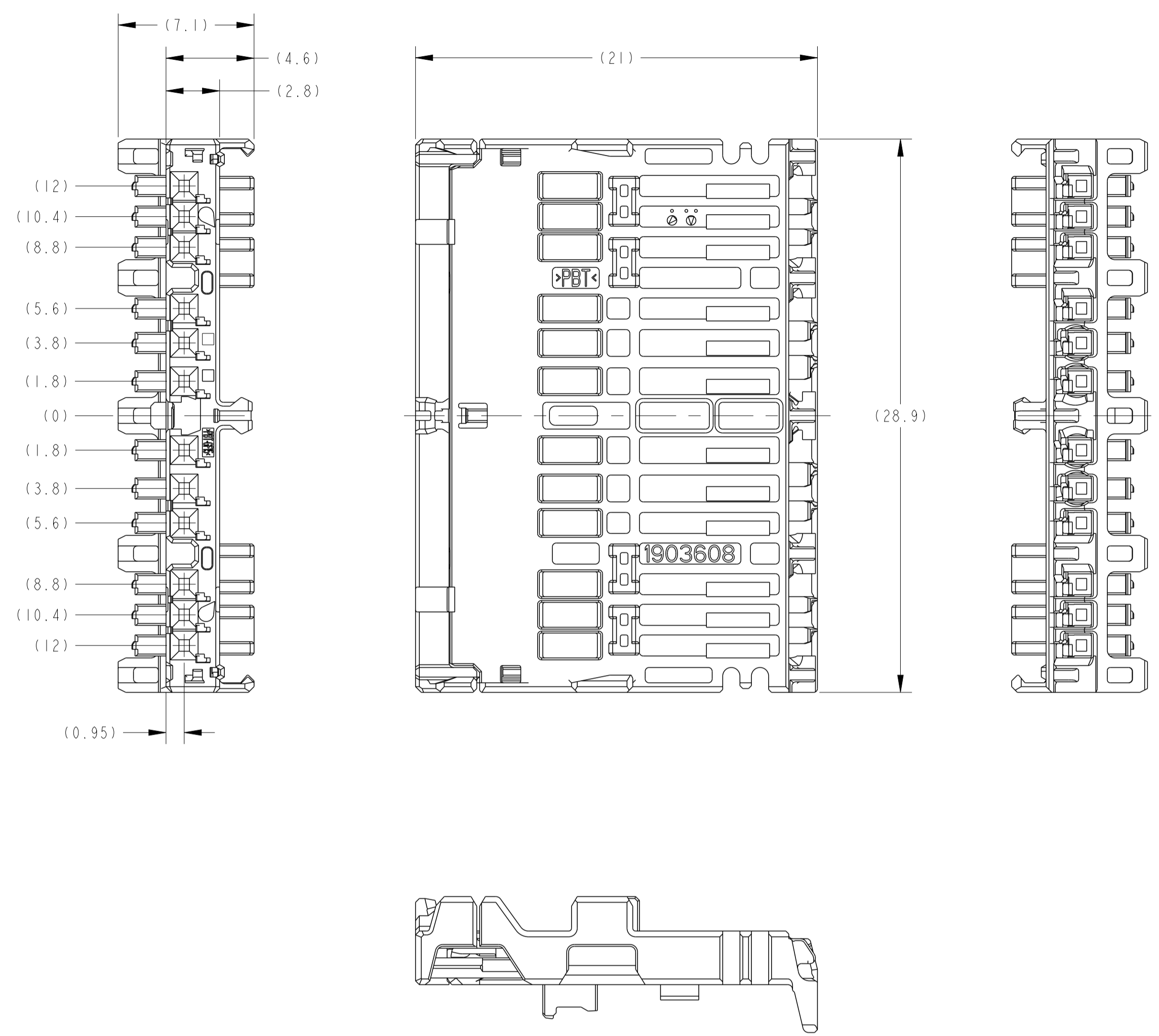


① -1, -7, 1--3; AS SHOWN  
 -1, -7, 1--3; 本圖

REV. LIST		REVISIONS			
NO.	DATE	DESCRIPTION	DATE	OWN	APVD
B1		REVISIED	ECR-17-002980	15MAR17	KT TK
B2		REVISIED	ECR-18-019662	04FEB19	SS RK
B3		REVISIED	ECR-20-007698	29MAY20	KT RK



- 本製品は、別番のコンポーネントと組合せて使用する。
  - 取扱説明書 NO: 411-78268
  - 組合せ相手型番: 取扱説明書を参照のこと。
  - 適合相手代表型番: 取扱説明書を参照のこと。
  - 適用端子: TABLE-1 参照
- THIS PRODUCT IS USED STACK WITH ANOTHER COMPONENTS.
  - HANDLING OF THIS PART SHOULD FOLLOW INSTRUCTION SHEET NO.411-78268.
  - COMPONENTS NUMBER OF STACKING; REFERENCE TO INSTRUCTION SHEET.
  - MATING CONNECTOR PART(TYPICAL); REFERENCE TO INSTRUCTION SHEET.
  - APPLIED TERMINAL; SEE TABLE-1

TABLE-1

		APPLIED TERMINAL P/N 適用端子 P/N	APPLICABLE WIRE RANGE 適用電線
SIGNAL 0.5	TIN	1827855-4	0.13~0.5mm <sup>2</sup>
	TIN	1827855-1	
	GOLD	1903703-1	
	TIN	1827855-2	
	TIN	1827855-3	

PACKING STYLE	COLOR	PART NO.
PAPER BOX ダンボール箱	SOFT TRAY プラスチックトレイ	GRAY
		BLACK
	NATURAL	

THIS DRAWING IS A CONTROLLED DOCUMENT.

OWN: K. KATO 09DEC08  
 CHK: R. KOMIYAMA 09DEC08  
 APVD: H. YAMAGAMI 09DEC08

NAME: 0.5 12POSITION HOUSING ASSY STACKING TYPE

PRODUCT SPEC: 108-78437  
 APPLICATION SPEC: 108-78437

MATERIAL: PBT  
 FINISH: SEE TABLE

WEIGHT: 1.25 g

CUSTOMER DRAWING

SIZE: A1  
 CAGE CODE: 00779  
 DRAWING NO: 1903608

RESTRICTED TO: -

SCALE: 5:1 SHEET 1 OF 1 REV: B3