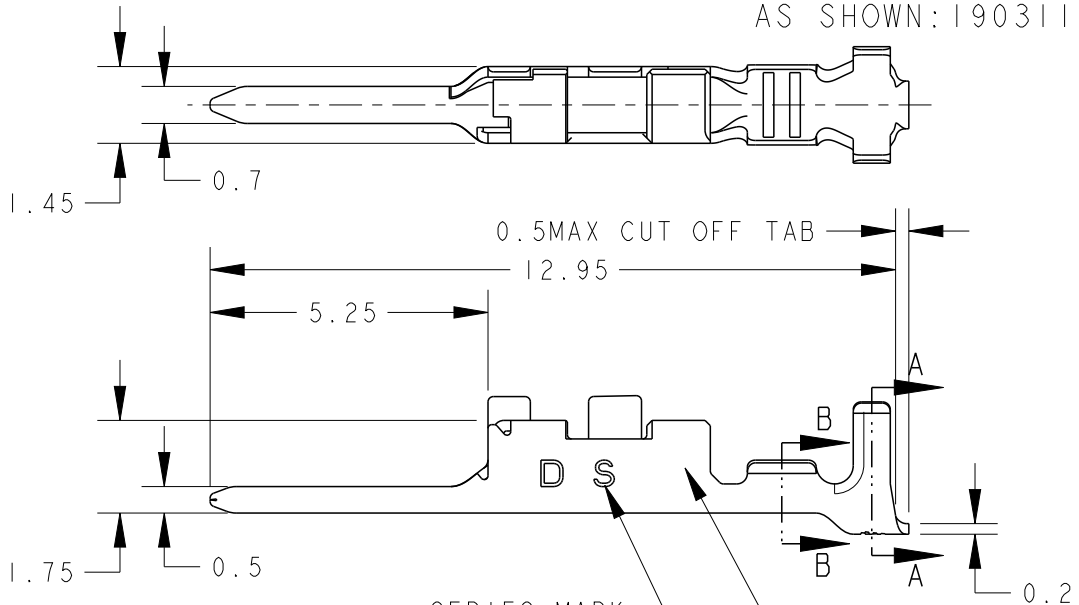


REVISIONS					
P	LTR	DESCRIPTION	DATE	DWN	APVD
	C	REVISED PER ECR-19-016494	24OCT2019	F.Z	R.B
	D	REVISED PER ECR-22-142637	16JUN2022	RI	TS

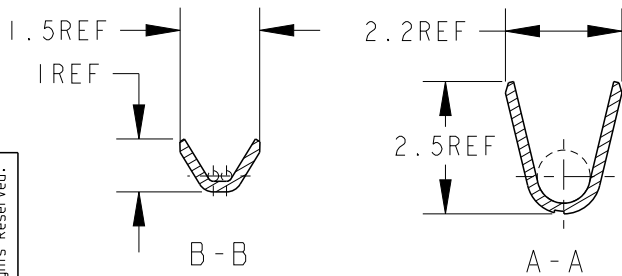
AS SHOWN: 1903115-2



SERIES MARK  
 ID MARK

TE LOGO

TE LOGO



- 1. THE SHAPE, SIZE AND POSITION OF THE CHARACTER SHOW THE OUTLINE. THEY DON'T SHOW DETAILS. ALTERNATIVE TE LOGO FOR DIFFERENT DIE.
- 2. ALTERNATIVE ID MARK, WITH "■" OR NO MARK.

D S 4	MATERIAL: COPPER ALLOY FINISH: CONTACT AREA Au 0.2umMIN, OVER Ni 1.27umMIN	1903115-4
D S	MATERIAL: COPPER ALLOY FINISH: CONTACT AREA Au 0.38umMIN, OVER Ni 1.27umMIN	1903115-2
SERIES MARK	MATERIAL	PART NO

© 2019 TE Connectivity. All Rights Reserved.

DIMENSIONS: mm	DWN M. MAEBASHI	11 APR 2006	WIRE RANGE AWG#30~#28 mm <sup>2</sup> 0.05~0.09	INSULATION DIA Ø0.6~Ø1.2
	CHK T. KUDO	11 APR 2006	MATERIAL SEE TABLE	FINISH SEE TABLE
TOLERANCES UNLESS OTHERWISE SPECIFIED: ±0.3, ±3°	APVD D. MITSUGI	11 APR 2006	<b>TE</b> TE Connectivity	
	PRODUCT SPEC 108-78268			
0 PLC ± 1 PLC ± 2 PLC ± 3 PLC ± 4 PLC ±	APPLICATION SPEC 114-5377		NAME DYNAMIC D1000 SERIES TAB CONTACT Au, S-TYPE L/P	
ANGLES ±	WEIGHT 0.071 g		SIZE A4	CAGE CODE 00779
	CUSTOMER DRAWING		DRAWING NO C-1903115	RESTRICTED TO
			SCALE 7:1	SHEET 1 OF 1
				REV D