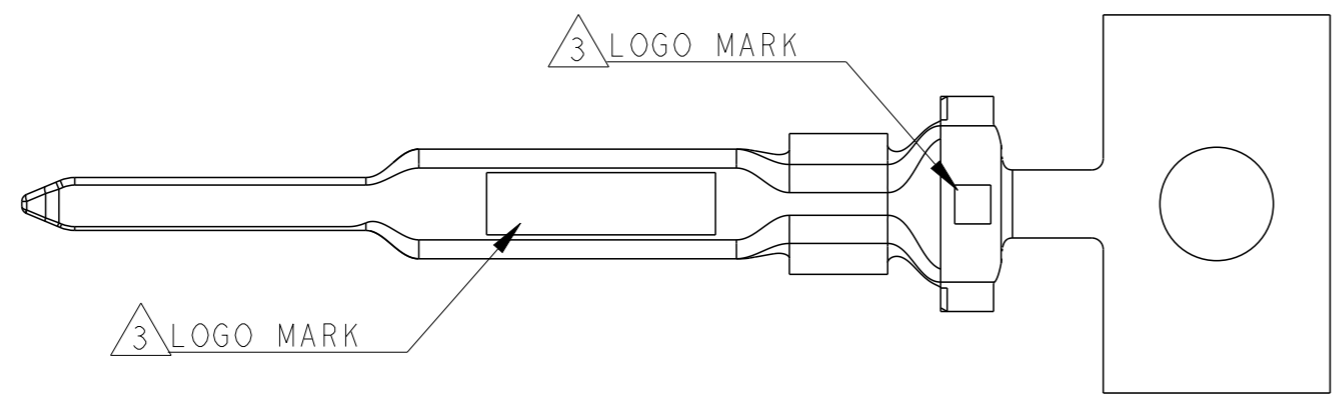
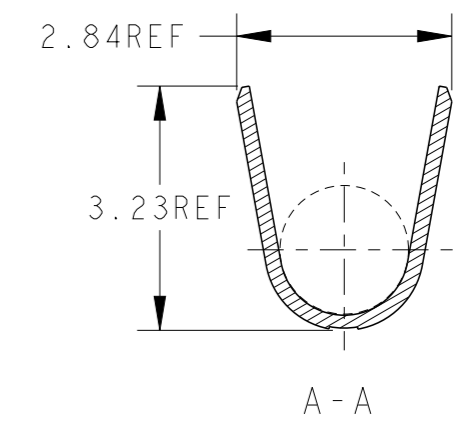
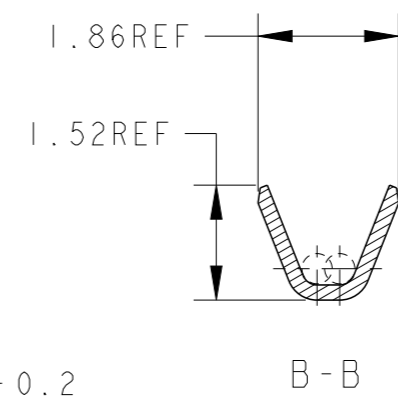
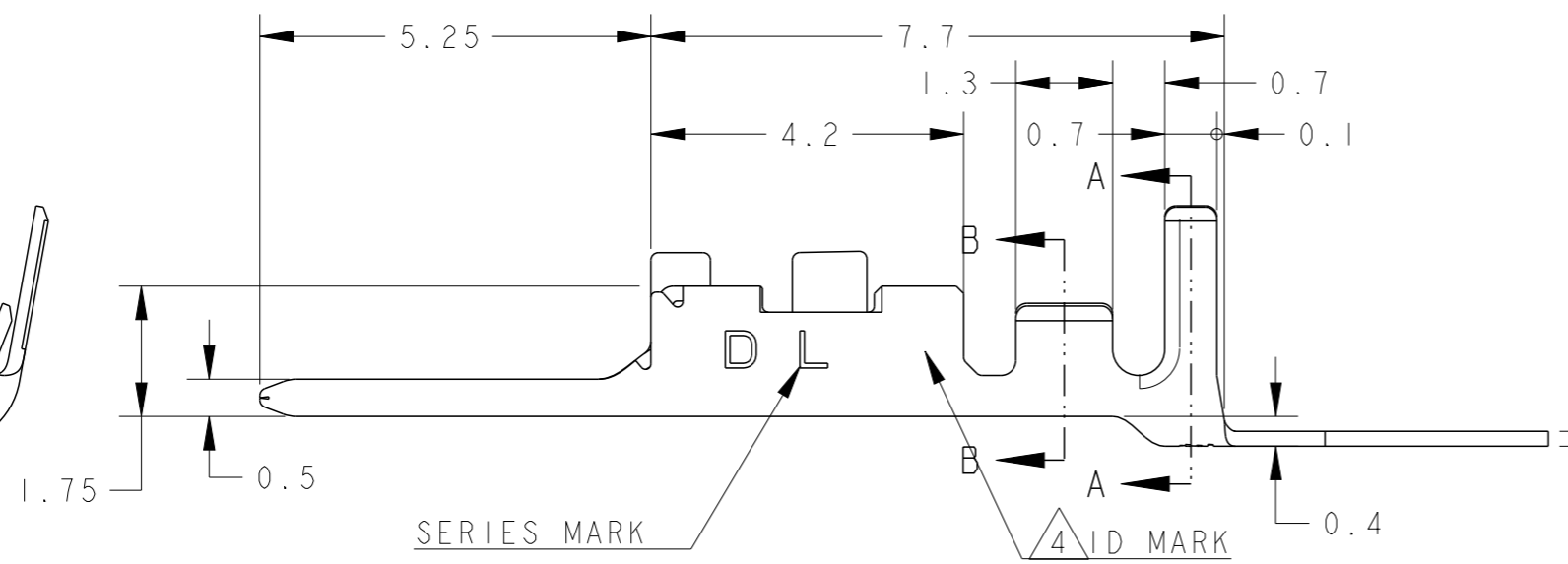
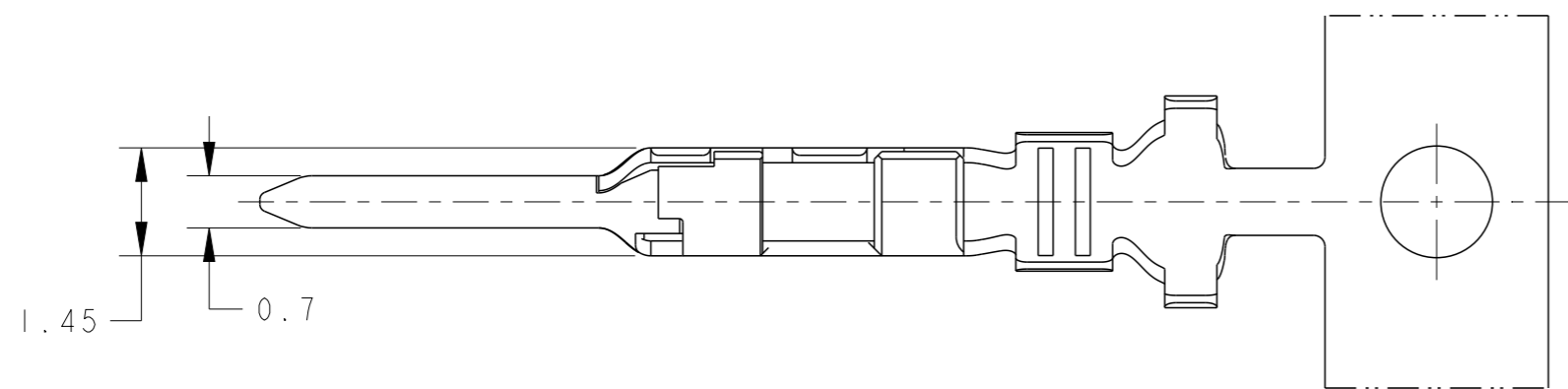


P	LTR	DESCRIPTION	DATE	DWN	APVD
C		REVISED PER ECR-19-016494	24OCT2019	F.Z	R.B
D		REVISED PER ECR-22-142637	16JUN2022	RI	TS

AS SHOWN: 1903113-2



D L 4	MATERIAL: COPPER ALLOY FINISH: CONTACT AREA Au 0.2umMIN, OVER Ni 1.27umMIN	1903117-4
D L	MATERIAL: COPPER ALLOY FINISH: CONTACT AREA Au 0.38umMIN, OVER Ni 1.27umMIN	1903117-2
SERIES MARK	MATERIAL	PART NO

- APPLICATION TAB-HSG IS APPLIED TO THE PRODUCT OF 2.5mm PITCH OR MORE OF DYNAMIC DI000 SERIES. 2.0mm PITCH CANNOT BE USED.
- THE SHAPE, SIZE AND POSITION OF THE CHARACTER SHOW THE OUTLINE. THEY DON'T SHOW DETAILS.
- ALTERNATIVE LOGO MARK FOR DIFFERENT DIE.
- ALTERNATIVE ID MARK, WITH "■" OR NO MARK.

THIS DRAWING IS A CONTROLLED DOCUMENT.	
DIMENSIONS: mm	TOLERANCES UNLESS OTHERWISE SPECIFIED: ±0.3, ±3°
	0 PLC ± 1 PLC ± 2 PLC ± 3 PLC ± 4 PLC ± ANGLES ±
MATERIAL SEE TABLE	FINISH SEE TABLE

DWN M. MAEBASHI 11APR2006	WIRE RANGE AWG#28~#22 mm <sup>2</sup> 0.08~0.38	INSULATION DIA Ø1.08~Ø1.9
CHK T. KUDO 11APR2006	TE Connectivity NAME DYNAMIC DI000 SERIES TAB CONTACT Au L-TYPE REEL	
APVD D. MITSUGI 11APR2006		
PRODUCT SPEC 108-78268	SIZE A300779	CAGE CODE C-1903113
APPLICATION SPEC 114-5377	WEIGHT 0.128 g	RESTRICTED TO
CUSTOMER DRAWING	SCALE 10:1	SHEET 1 OF 1