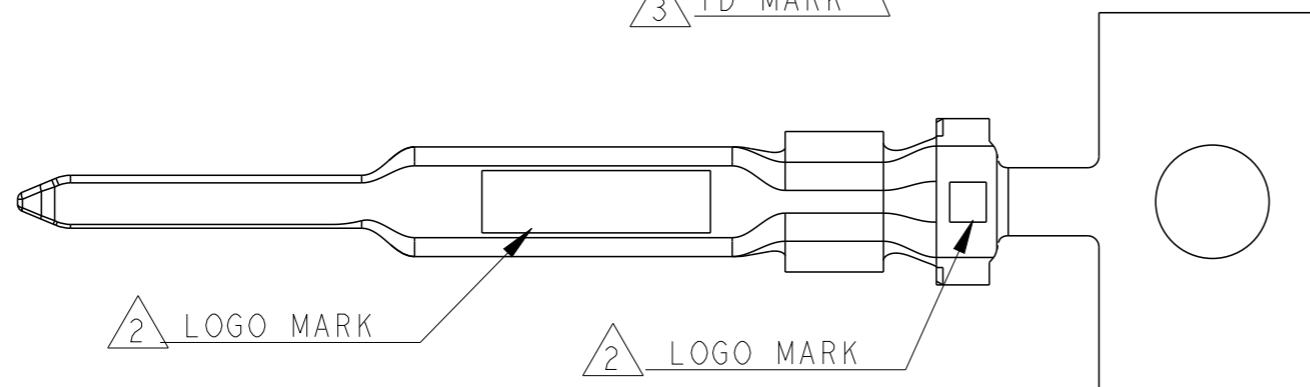
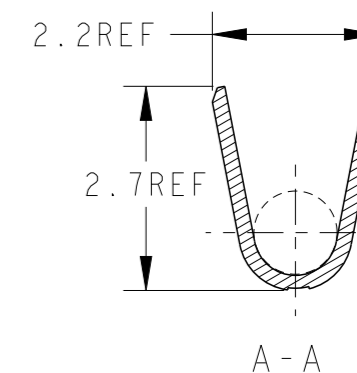
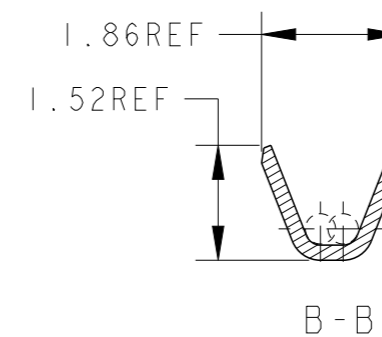
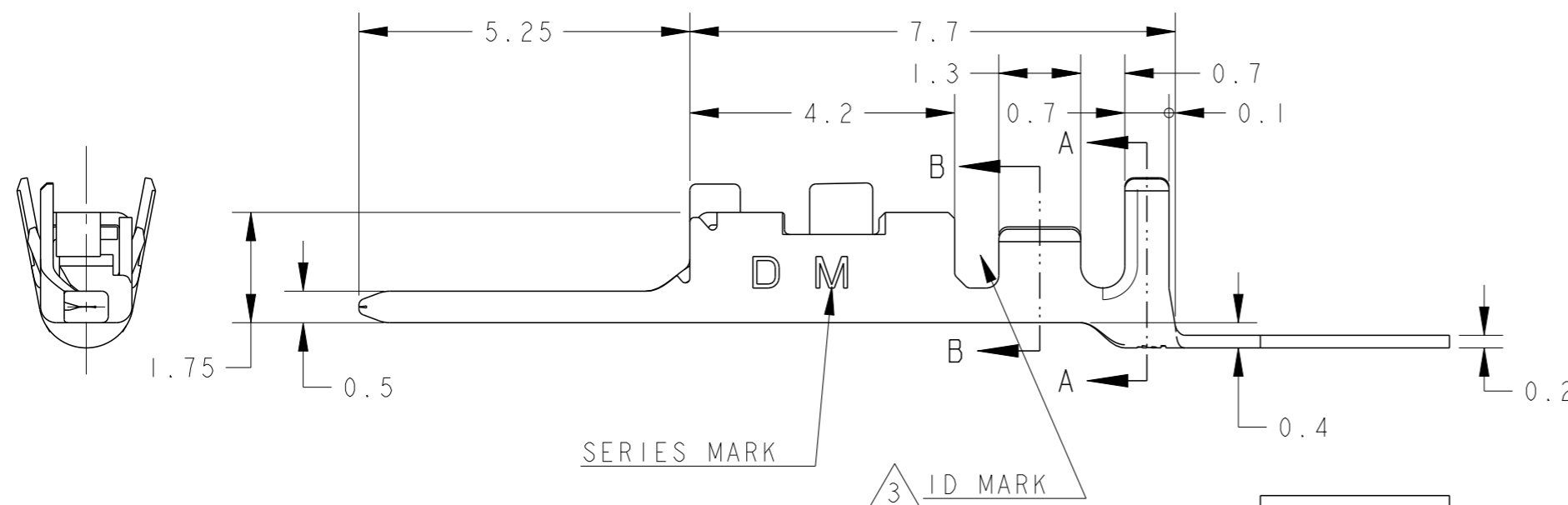
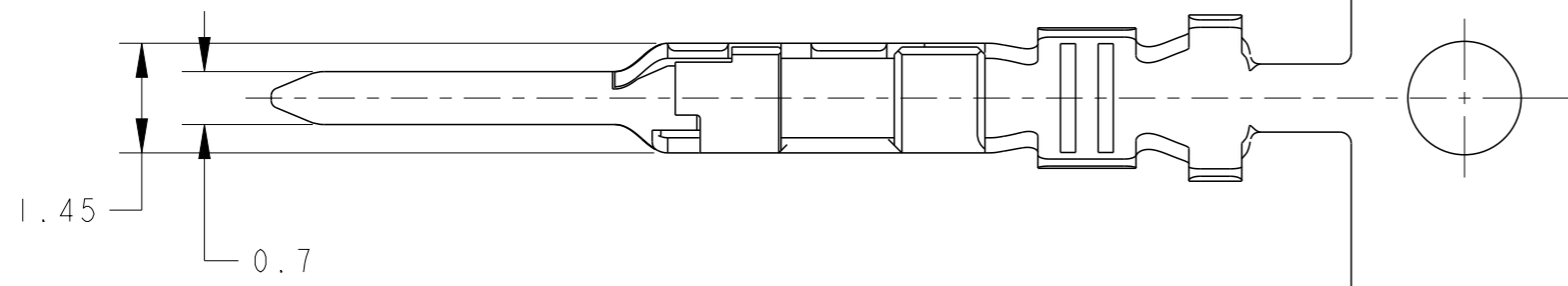


P	LTR	DESCRIPTION	DATE	DWN	APVD
C		REVISED PER ECR-19-016494	24OCT2019	F.Z	R.B
D		REVISED PER ECR-22-142637	16JUN2022	RI	TS

AS SHOWN: 1903112-2



D M 4	MATERIAL: COPPER ALLOY FINISH: CONTACT AREA Au 0.2umMIN, OVER Ni 1.27umMIN	1903112-4
D M	MATERIAL: COPPER ALLOY FINISH: CONTACT AREA Au 0.38umMIN, OVER Ni 1.27umMIN	1903112-2
SERIES MARK	MATERIAL	PART NO

WIRE RANGE	AWG#28~#22	INSULATION DIA
mm <sup>2</sup> 0.08~0.38		∅1.08~∅1.6

- 1. THE SHAPE, SIZE AND POSITION OF THE CHARACTER SHOW THE OUTLINE. THEY DON'T SHOW DETAILS.
- 2 ALTERNATIVE TE LOGO FOR DIFFERENT DIE.
- 3 ALTERNATIVE ID MARK, WITH "■" OR NO MARK.

THIS DRAWING IS A CONTROLLED DOCUMENT.

DIMENSIONS:	TOLERANCES UNLESS OTHERWISE SPECIFIED:
mm	±0.3, ±3°
	0 PLC ±
	1 PLC ±0.5
	2 PLC ±
	3 PLC ±
	4 PLC ±
	ANGLES ±
MATERIAL	FINISH
SEE TABLE	SEE TABLE

DWN	M. MAEBASHI	11APR2006
CHK	T. KUDO	11APR2006
APVD	D. MITSUGI	11APR2006
PRODUCT SPEC	108-78268	
APPLICATION SPEC	114-5377	
WEIGHT	0.126 g	

<b>TE</b> TE Connectivity			
NAME DYNAMIC D1000 SERIES TAB CONTACT Au M-TYPE REEL			
SIZE	CAGE CODE	DRAWING NO	RESTRICTED TO
A3	00779	C-1903112	

CUSTOMER DRAWING	SCALE 10:1	SHEET 1 OF 1	REV D
------------------	------------	--------------	-------